

CARRO

SMART FANS | LIGHTING



DC Motor

- 5-Speed | Reversible
- Motor | 148 X 15mm
- RPM: High 215 Low 70
- 4960 CFM | 22 W | Efficiency = 230
- 4.5" Downrod Included

Blade

- 3-Blade | 52" Sweep
- Material: Highly-Compressed Plywood
- 11° Pitch

Light Kit

- LED Light Board
- 22W 2116 Lumens
- Dimming (Standard): 3500K Neutral Light | 5 Levels Dimming
- Color Temperature (Optional) :
2700K Warm Light | 3000K Warm Light | 4000K Cool Light
- Lens: Glass

Control

- Pull Chain (Standard)
- Wall Control (Optional)
- Remote (Optional)

Certification

- ETL Listed

Warranty

- Fan Motor: Three-Year Limited Warranty
- LED Light Kit: Five-Year Limited Warranty
- Fan Blade: One-Year Limited Warranty
- Other: Three-Year Limited Warranty

Measurements

- Dimensions(in.): 15.1 H (to lowest point) x 8.8 W (housing)
x 11.5 H (top of blade)
- Product Weight (lbs.): 11.7 N.W. | 15.7 G.W.
- Box (in.): 24 W X 10.8 D X 12 H

Shipping

- Container Loading:
20GP 550 pcs | 40GP 1125 pcs | 40HQ 1320 pcs

SKU #	Motor/Blade Finish
CFP523E5-L12-B2-1	Black Black Plywood Blades

ASCOTT

3-Blade | 52" | Pull Chain

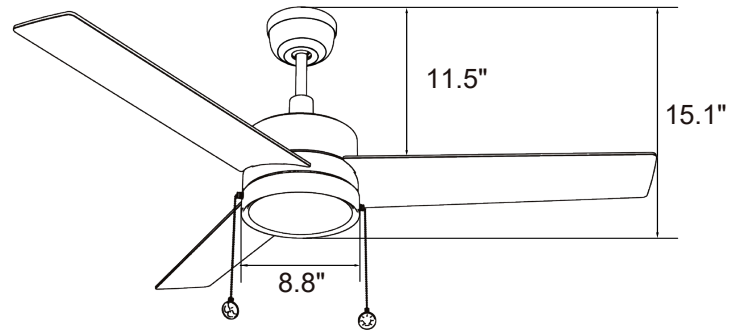
DC MOTOR 120V

INTEGRATED LED LIGHT KIT



Dimensions

15.1"	8.8"	11.5"
Height (lowest point)	Width (housing)	Height (top of blade)

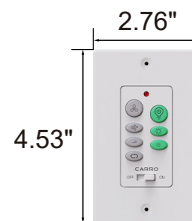


Fan Control Options

Simple and intuitive design with standard layout.

Multifunctional: fan speed control, fan forward/reverse direction, fan on/off, light brightness adjustment, warm/cool light switch, light on/off.

Push Button



Knob



Remote



- Pull Chain (Standard)
- Hardwired Wall Control(Optional):
Push Button or Knob
(Single Live Wire, No Neutral Needed)
- Remote (Optional)