

SKU #	Motor/Blade Finish
CFP483Q5-L11-BG-1-FMA	Black with Gold Barnwood Reversible Other Wood Finishes Available Plywood Blades



GREENWOOD

3-Blade | 48" | Flushmount | Pull Chain
DC MOTOR 120V
INTEGRATED LED LIGHT KIT



Intertek

Fan Motor

Light Kit

Fan Blade

Other

DC Motor

- 5-Speed | Reversible
- Motor | 148 X 11mm
- RPM: High 230 Low 80
- 3300 CFM | 21 W | Efficiency = 149

Blade

- 3-Blade | 48" Sweep
- Material: Highly-Compressed Plywood
- 11° Pitch

Light Kit

- LED Light Board
- 18W 1300 Lumens
- Dimming (Standard): 3000K Warm Light | 5 Levels Dimming
- Color Temperature (Optional) :
2700K Warm Light | 3500K Neutral Light | 4000K Cool Light
- Lens: Glass

Control

- Pull Chain (Standard)
- Wall Control (Optional)
- Remote (Optional)

Certification

- ETL Listed

Warranty

- Fan Motor: Three-Year Limited Warranty
- LED Light Kit: Five-Year Limited Warranty
- Fan Blade: One-Year Limited Warranty
- Other: Three-Year Limited Warranty

Measurements

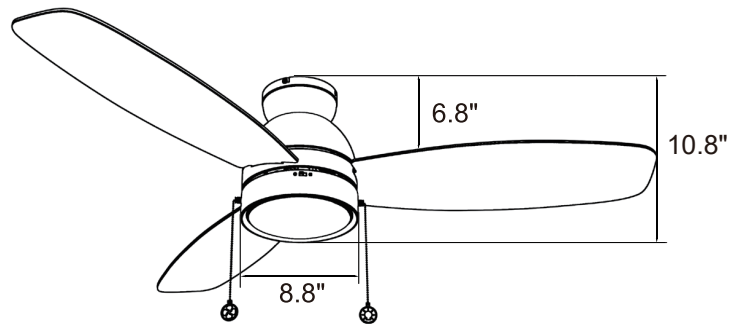
- Dimensions(in.): 10.8 H (to lowest point) x 8.8 W (housing)
x 6.8 H (top of blade)
- Product Weight (lbs.): 11.3 N.W. | 15.4 G.W.
- Box (in.): 22 W X 10.8 D X 12 H

Shipping

- Container Loading:
20GP 610 pcs | 40GP 1250 pcs | 40HQ 1460 pcs

Dimensions

10.8"	8.8"	6.8"
Height (lowest point)	Width (housing)	Height (top of blade)

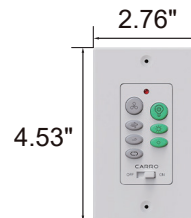


Fan Control Options

Simple and intuitive design with standard layout.

Multifunctional: fan speed control, fan forward/reverse direction, fan on/off, light brightness adjustment, warm/cool light switch, light on/off.

Push Button



Knob



Remote



- Pull Chain (Standard)
- Hardwired Wall Control(Optional):
Push Button or Knob
(Single Live Wire, No Neutral Needed)
- Remote (Optional)