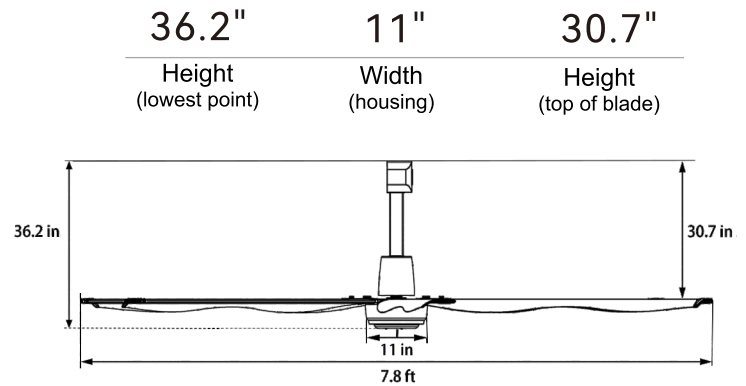


Zenon Series  
**CDC-086S-030**  
 120V

**CARRO**  
 SMART FANS | LIGHTING



**DESCRIPTION**

**Zenon 8 ft 6-Blade Commercial Ceiling Fan With Wall Control**

Zenon 8 ft Silver Gray Commercial Ceiling Fan, equipped with a dependable, high-efficiency, and quiet Neodymium Magnet Direct-Drive Motor, stands as a premium offering in the realm of high-tech fans.

**DESIGN FEATURES**

**Motor:**

- Indoor use only
- Maximum Wattage: 0.3KW
- Speed: 20-100 RPM
- Maximum Airflow: 91,780 CFM
- Mode: Forward & reverse
- Frequency: 50/60Hz
- Noise Level: 38 dB
- Voltage: 120V

**Blades:**

- Material: Aluminum-magnesium alloy
- Number of Blades: 6
- Blade Length: 40.9"
- Blade Width: 6.8"

**Downrod:**

- 23.6" H x 2.4" W x 2.4" D (Standard length)  
 (Additional downrod lengths available)  
 39.4", 59", and 78.7"

**Coverage Area:**

- 1,507 sq ft.

**Light Kit:**

- None

**Control:**

- 200G Controller

**Color:**

- Motor: Silver gray
- Blade: Silver gray



**Product Size (Assembled):**

- Assembled with 23.6" downrod:  
 36.2" H x 94" W x 94" D

**Shipping Information:**

- Motor Box (Downrod included):  
 Box Weight (G.W.): 92.6 lb  
 Size: 19.7" H x 20.5" W x 20.5" D
- Blade Box:  
 Box Weight (G.W.): 33.1 lb  
 Box Size: 7.1" H x 45.7" W x 8.7" D