

**READ INSTRUCTIONS CAREFULLY FOR SAFE INSTALLATION AND FAN OPERATION. IF UNCERTAIN, CONSULT A QUALIFIED ELECTRICIAN.**

**THANK YOU FOR YOUR PURCHASE**

Thank you for purchasing a Carro Home product. To ensure correct function and safety, please read and follow all the instructions before using the product.

**SAFETY GUIDELINES:**

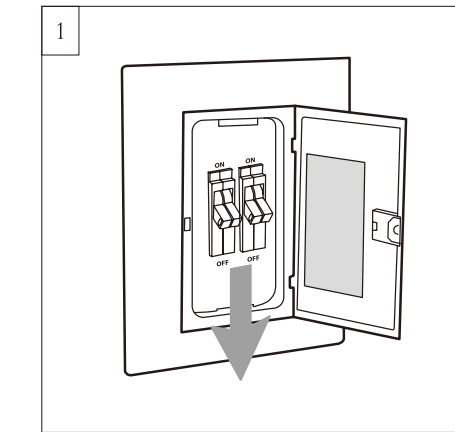
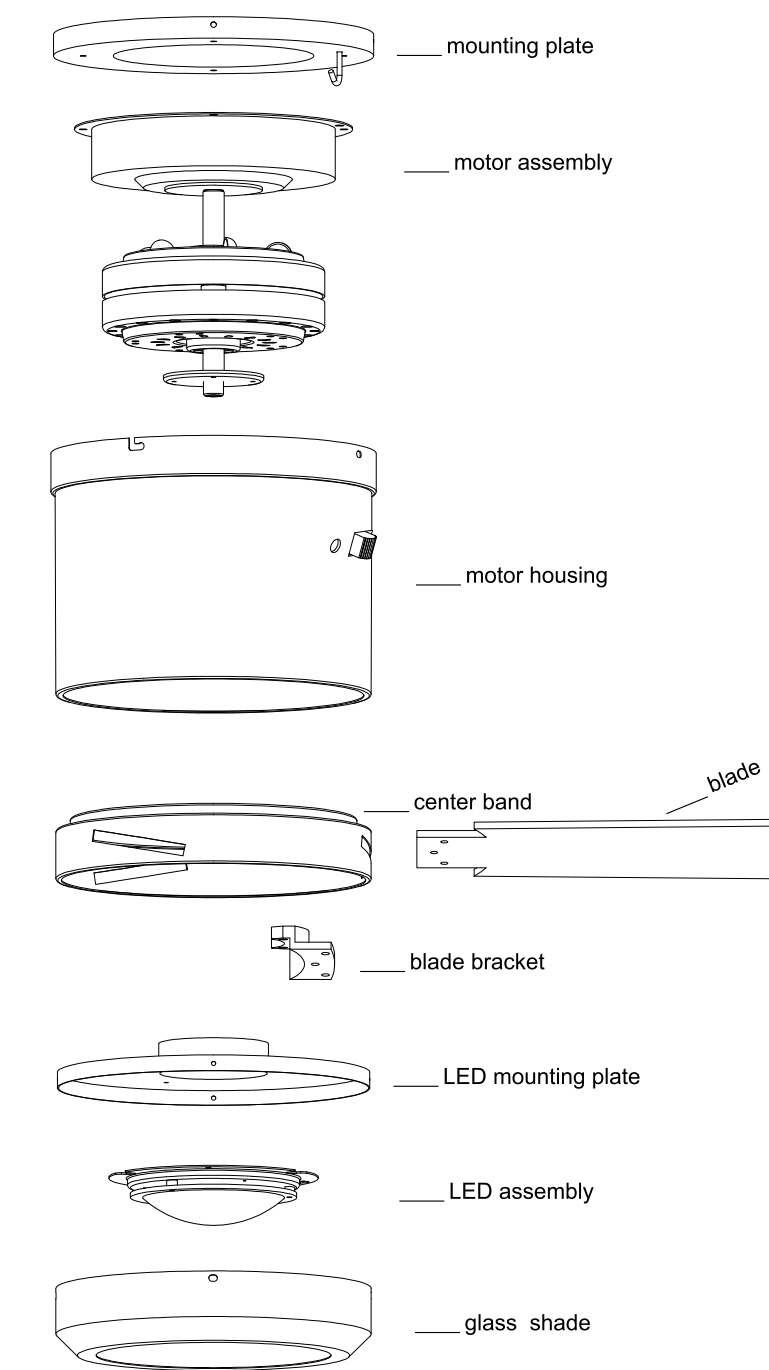
- To avoid possible electric shock, turn off the electricity at the main fuse box or circuit panel before you begin the fan installation, servicing the fan or installing any accessories.
- Read all instructions and safety guidelines carefully before installing your fan and follow all the instructions.
- Make sure all electrical connections comply with the local codes or ordinances and the National Electrical Code. If you are unfamiliar with electric wiring, please consult a qualified and licensed electrician.
- Make sure you have a location selected for your fan that allow clear space for the blades to rotate, and at least seven (7) feet of clearance between the floor and the fan blade tips. The fan should be mounted at least thirty (30) inches from walls and/or other upright structures.
- WARNING:** The outlet box and ceiling support joist used must be securely mounted, and capable of supporting at least 100 pounds. To reduce the risk of fire, electric shock or personal injury, mount to the outlet box marked acceptable for fan supported and use mounting screws provided with the outlet box. The box must be supported directly by the building structure.
- WARNING:** To reduce the risk of fire, electric shock or personal injury, mount to outlet box marked "acceptable for fan support" and use mounting screws provided with the outlet box. Most outlet boxes commonly used for the support of lighting fixtures are not acceptable for fan support and may need to be replaced. Consult a qualified electrician if in doubt.
- Switches must be ETL, general use switches. Refer to the instruction packaged with the switches for proper assembly.
- After installation is complete, check that all connections are firmly secured.
- After making electrical connections, spliced conductors should be turned upward and pushed up carefully into outlet box. The wires should be placed apart with the grounded conductor and the equipment-grounding conductor on opposite side of the outlet box.
- WARNING:** To reduce the risk of electrical shock and fire, do not use this fan with any solid-state fan speed control device, or rheostat.
- Do not separate the reverse switch until the fan has come to a complete stop.
- Do not insert anything into the fan blades while they are rotating.
- WARNING:** To reduce the risk of personal injury, do not bend the blade brackets (also referred to as "flanges") during assembly or after installation. Do not insert objects in the path of the blades.
- To avoid personal injury or damage to the fan and other items, be cautious when working around or cleaning the fan.
- Do not use water or detergent when cleaning the fan or fan blades. A dry dust cloth or lightly dampened cloth will be suitable for most cleaning.

**NOTE:** The important safety precautions and instructions on the manual are not meant to cover all possible conditions and situations that may occur. It is understood that common sense and caution are necessary factors during the installation and operation of the fan.

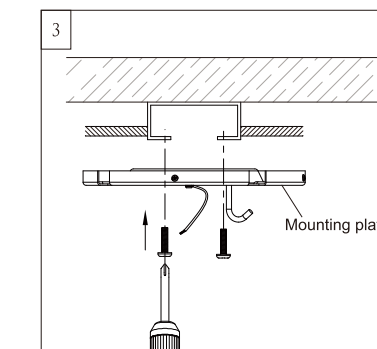
**NOTE:** This product is not intended for use by persons (including children) with reduced physical, sensory or mental capabilities that are different or impaired, or lack of experience and/or knowledge, unless such persons are supervised and/or trained to operate the appliance by a person responsible for their safety.

**NOTE:** Children should be supervised to ensure that they do not use appliances as a toy.

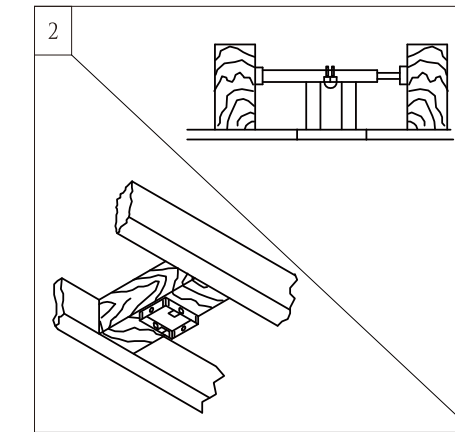
**NOTE:** You must install a switch or circuit breaker that disconnects all power poles of at least 3 mm between each pole.



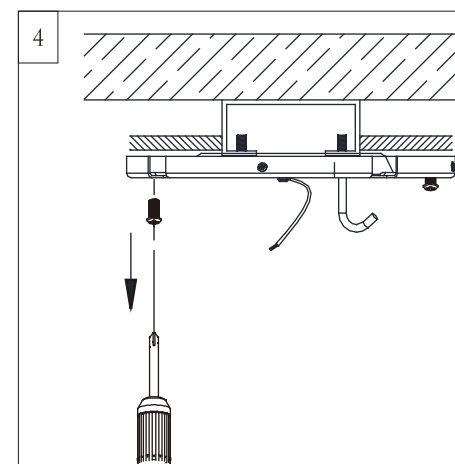
Before you begin installing the fan, Switch power off at Service panel and lock service disconnecting means to prevent power from being switched on accidentally. When the service disconnecting means cannot be locked, securely fasten a warning device, such as a tag, to the service panel.



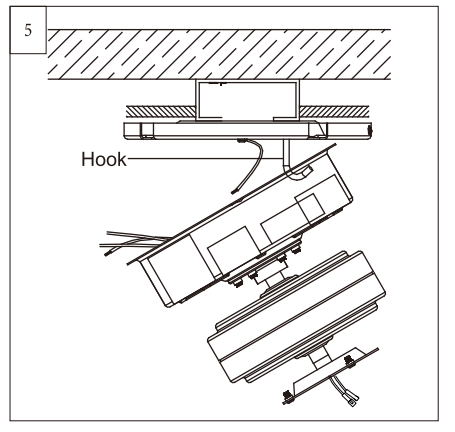
Use metal outlet box suitable for fan support and use only the screws provided with the outlet box ( must support 35 lbs). Before attaching fan to outlet box, ensure the outlet box is securely fastened by at least two points to a structural ceiling member ( a loose box will cause the fan to wobble). Remove the two outlet box screws provided with the box, aligning the holes of the mounting plate with the holes of the outlet box. Reinstall the 2 outlet box screws securely.



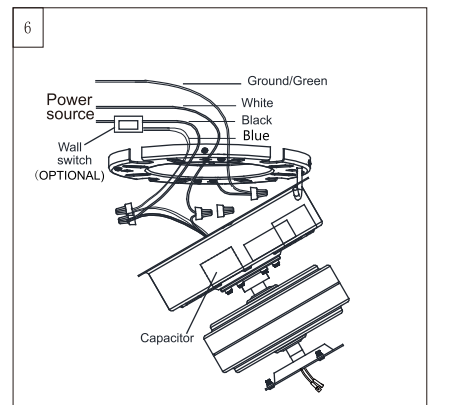
Before installing this fan make sure the outlet box is properly installed to the house structure. To reduce the risk of fire, electric shock, or personal injury, mount to outlet box or supporting system acceptable for fan support. (Mounting must support at least 35 lbs.)



Remove the 4 preassembled screws from mounting plate (Corresponding to installation step 8). Save screws for later use.

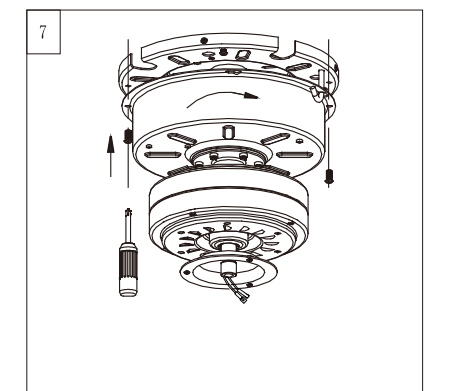


Hang motor assembly onto the hook on mounting plate for hands-free wiring installation.

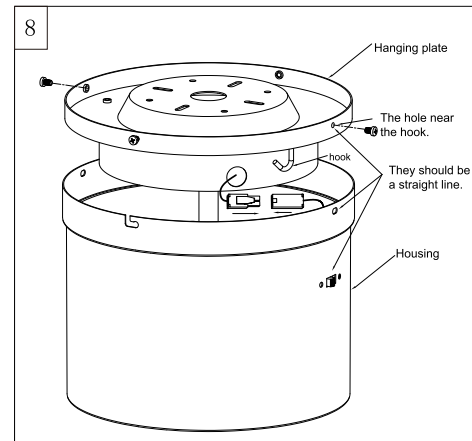


Make wiring connections using wire connectors provided as indicated on figure 6.

White from house to White from motor (AC N) Blue from house to Blue from motor (AC L). Connect all green grounded wires to Grounded wire from House. Make sure that no filaments are outside of the wire connector.



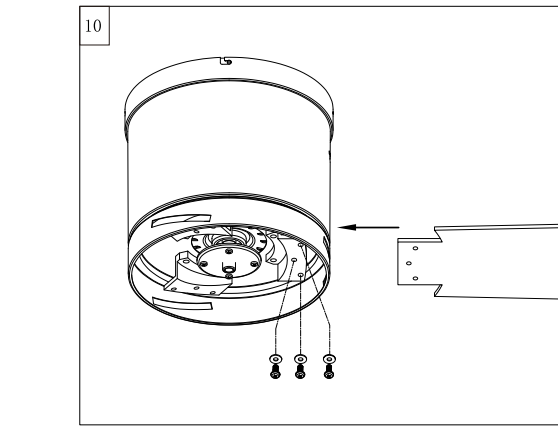
Lift motor assembly, aligning the keyhole slots with the preassembled screws on mounting plate, and twist clockwise till lock. Reinstall the screws removed in figure 4. Tighten all screws securely.



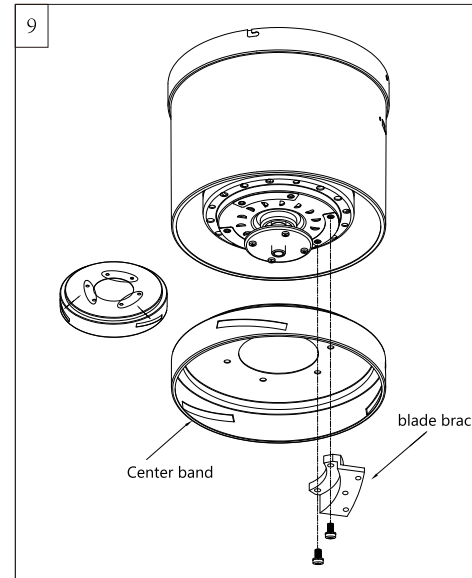
**Installing the housing**

There are 4 screws on the hanging plate, loosen 2 screws, remove 2 screws. The motor housing is directional, as shown in the picture. Insert the wire first, then lock the motor housing.

Attach housing onto hanging plate, aligning the keyhole slots on the housing with the screws on mounting plate and twist clockwise till tight. Reinstall the screw removed previously. Tighten all screws securely.



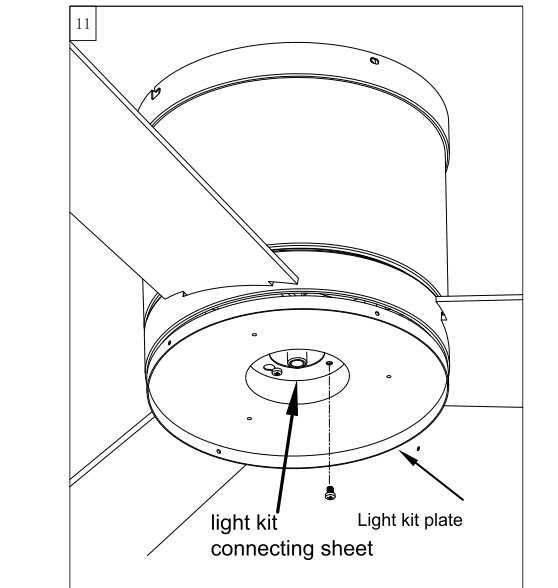
Install blade with screws provided, aligning each of the holes as shown and tighten all screws securely. Repeat this process for remaining blades.



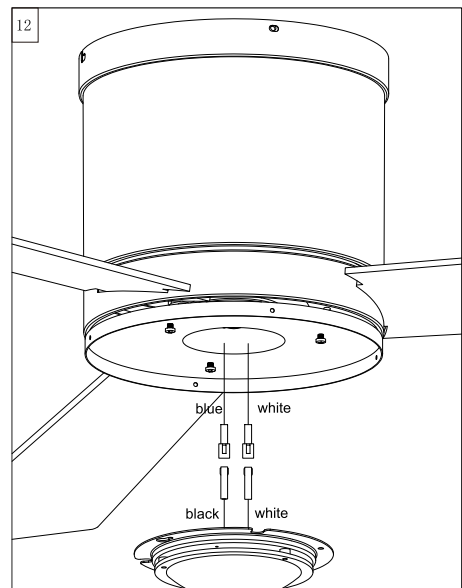
**Installing the center band and blade bracket**

The three groups of holes in the center band are aligned with the three groups of holes in the motor shell.

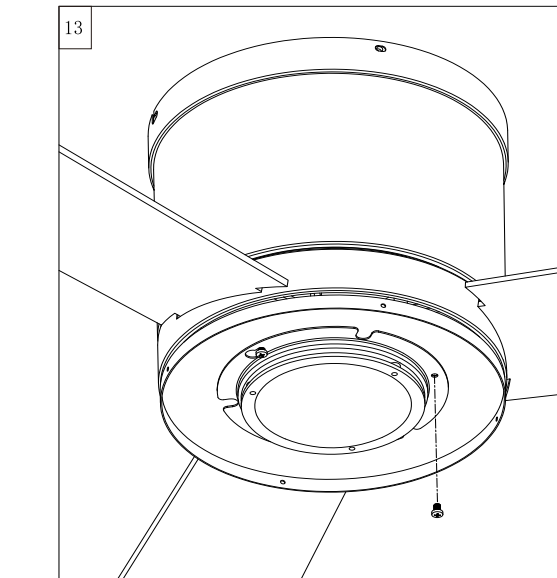
Note: Do not lock the first blade bracket tightly, because it may need to adjust the center band so that the hole in the center band is aligned with the hole in the motor shell when locking the second blade bracket. After all the blade brackets are installed, lock all the screws tightly.



After finishing installed the blades, remove 1 screw and loosen 3 screws from the light kit connecting sheet before attaching the light kit plate to the center band. Lock back the 4 screws to secure the light kit plate.

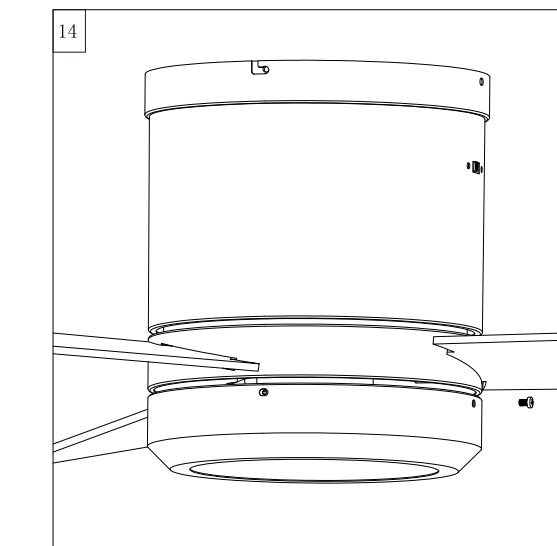


Find the two wires from the motor. Connect the blue wire from the motor to the black wire from the light kit, and connect the white wire from the motor to the white wire from the light kit.



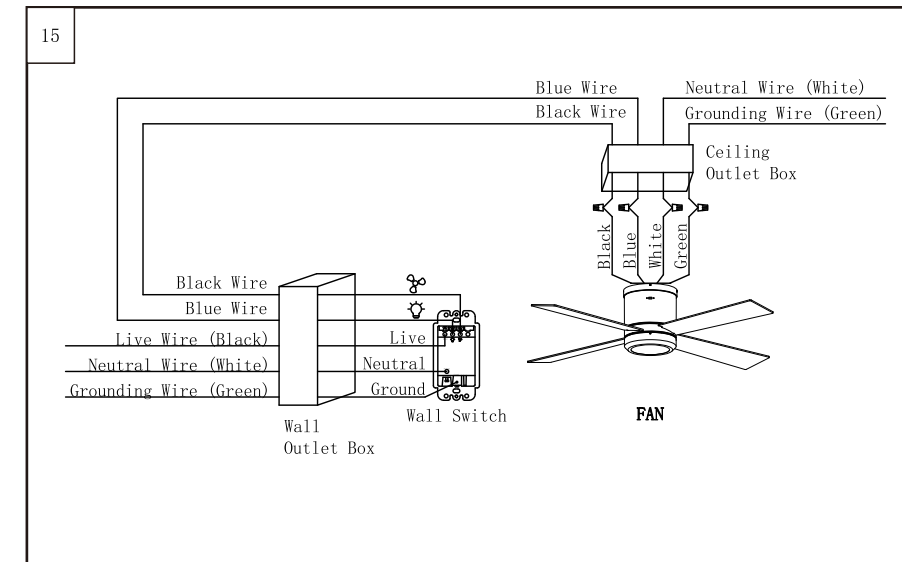
**Installing the LED assembly**

Loosen two screws and remove one screw on the light kit. Attach light kit to the light kit mounting plate using three screws provided.



**Installing the glass**

Remove the 4 screws on the light plate, move up the glass shade, align the 4 holes then tighten the screws securely.



Make wire connections using wire nuts:  
 Fan wire connection:  
 1.) Connect blue wire from fan to blue wire from ceiling outlet box.  
 2.) Connect black wire from fan to black wire from ceiling outlet box.  
 3.) Connect white wire from fan to white wire (neutral) from ceiling outlet box.  
 4.) Connect green ground wires from downrod and bracket to ground wire (green or bare copper) from ceiling outlet box.

Wall switch connection:  
 1.) Take out the white wire and wire nut from the screw bag. Stick this white wire to the switch by the provided screw. Then connect tightly this white wire to the neutral wire from the wall by wire nut.  
 (If the length of neutral wire from the wall is long enough, connect it to the switch directly.)  
 2.) Connect tightly the remaining wires from the wall to the switch by the provided screws as per above wiring diagram.  
 Note: If the wiring in your wall outlet box does not resemble any of these configurations, consult a qualified electrician.

**WARNING:** Be sure no bare wire or wire strands are visible after making connection.

### WALL CONTROL INSTRUCTIONS

**WALL CONTROL INSTALLATION:**  
 Carefully tuck the wire connections from wall control inside wall outlet box. Secure the wall control with two wall control screws provided. Attach the wall control cover over the wall control and secure with two wall control cover screws provided. Then snap in the wallplate.

**USING YOUR CEILING FAN:**  
**WALL CONTROL**  
 Turn on the power and check the operation of the fan  
 1 – Lamp Switch  
 2 – Speed Control  
 3 – Fan Shutdown  
 Reverse function  
 Slide the forward/reverse switch on the switch box to get desired airflow direction.

**APP Control Connection:**

- First download the free Carro Home app from the App Store or Google Play or scan the QR Code as below.
- Open the Carro Home app to create your account. The account with "Carro Home" can be registered through E-mail or Mobile phone.
- Connect the device to the Carro Home app (Four ways connection):
  - Bluetooth connect (WIFI & Bluetooth on)**
    - Press "+" button into the device list, then a window will pop up to show you some devices can be connected.
    - Click "Go to add" (If you click "Do not add" in mistake, please see "Do not add" steps).
    - Choose the device.
    - Connect to your home WIFI, then back to the app and wait for connecting.

**"Do not add" steps:**

    - Select "Electrical"(smart switch) or "Air Circulation"(smart ceiling fan) on the sidebar menu then select "Ceiling Fan Switch" or "Ceiling Fan" and tap next.
    - Connect to your home WIFI and tap "Next" to wait for connecting.
  - Auto Scan (WIFI & Bluetooth on)**
    - Press "+" button into the device list.
    - Tap "Auto Scan" on the top.
    - Wait for the device comes out and tap "Next".
    - Press "+" button to add device.
    - Connect to your home WIFI.
    - Wait for connecting.
  - WIFI connect-EZ Mode (WIFI on & Bluetooth off)**
    - Press "+" button to select "Electrical"(smart switch) or "Air Circulation"(smart ceiling fan) on the sidebar menu then select "Ceiling Fan Switch" or "Ceiling Fan" and tap next.
    - Connect to your home WIFI (Only for 2.4Ghz).
    - EZ Mode is set as default, just tap "Next" button to wait for the connection to complete.
  - WIFI connect-AP Mode (WIFI on & Bluetooth off)**
    - Smart ceiling fan: Press and hold the WIFI button on the remote for 5 seconds till hear beep into AP Mode.  
 Smart switch: Press and hold the "OFF" button for 10 seconds till the indicator light blinking slowly to into AP Mode.
    - Press "+" button to select "Electrical"(smart switch) or "Air Circulation"(smart ceiling fan) on the sidebar menu then select "Ceiling Fan Switch" or "Ceiling Fan" and tap next.

- Connect the device to the Alexa:
  - Make sure you have connected the device to the app and working normally.
  - Open Alexa app, go to the skill to search "Carro Home" skill.
  - Link the skill, log in with your Carro Home app account and password, then authorize and connect with Carro Home app.
  - Then the Alexa will find out the device automatically.
- Connect the device to the Google Home
  - Make sure you have connected the device to the app and working normally.
  - Open Google Home app, Set up a device, choose "Works with Google".
  - Search "Carro Home", log in with your Carro Home app account and password, then authorize and connect with Carro Home app.
  - Then the Google Assistant will find out the device automatically.
- Connect the device to the Siri shortcuts
  - Make sure you have connected the device to the app and working in functional.
  - Tap "Smart" on the main menu.
  - Tap "+" button.
  - Tap "launch Tap To Run".
  - Tap "Run the device".
  - Choose the device you want to control by Siri.
  - Select the function you want to control by Siri.
  - Then save it.
  - Add to Siri, choose the scene you just made, Add to Siri.
  - Enter the sentence you want to say to make the device works, Add to Siri.

**Care and cleaning:**

- Check the support connections, brackets, and airfoil attachments twice a year. Make sure they are secure. Because of the fan's natural movement, some connections may become loose over time. It is not necessary to remove the fan from the ceiling.
- Clean your fan periodically. Use only a soft brush or lint-free cloth to avoid scratching the finish. The plating is sealed with a lacquer to minimize discoloration or tarnishing.
- (Optional) Apply a light coat of furniture polish to the wood blades.
- (Optional) Cover small scratches with a light application of shoe polish.

**Do not:**

- Use water when cleaning. Water could damage the motor, or the wood, or possibly cause an electrical shock.
- Apply oil to your fan or motor. The motor has permanently lubricated sealed ball bearings.

**Note: Power off the fan before product maintenance or cleaning the fan.**

**FCC Statement:**

**NOTE:** This equipment has been tested and found to comply with the limits for a Class B digital device, pursuant to part 15 of the FCC Rules, These limits are designed to provide reasonable protection against harmful interference in a residential installation. This equipment generates, uses and can radiate radio frequency energy and, if not installed and used in accordance with the instructions, may cause harmful interference to radio communications. However, there is no guarantee that interference will not occur in a particular installation. If this equipment does cause harmful interference to radio or television reception, which can be determined by turning the equipment off and on, the user is encouraged to try to correct the interference by one or more of the following measures:

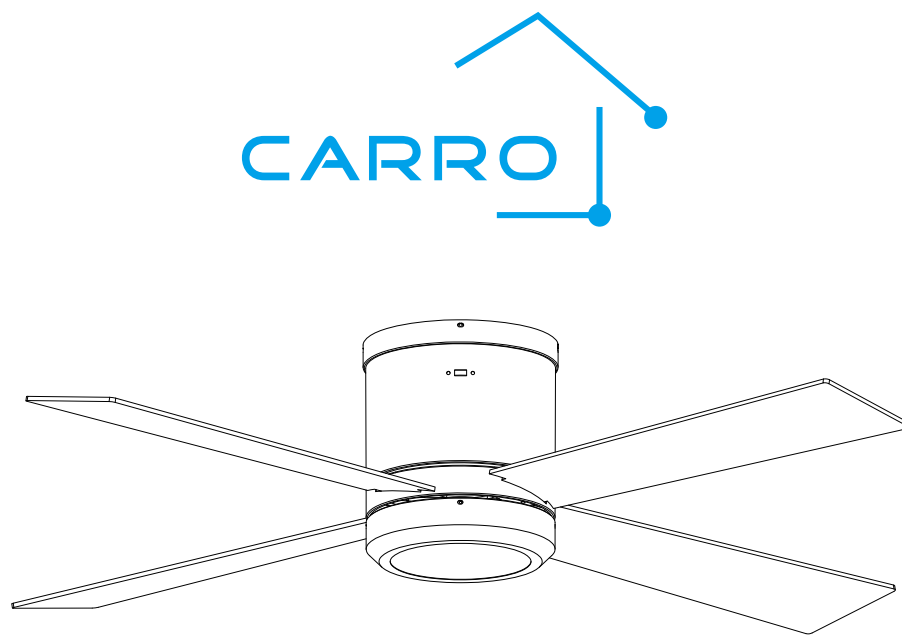
- Reorient or relocate the receiving antenna.
- Increase the separation between the equipment and receiver.
- Connect the equipment into an outlet on a circuit different from that to which the receiver is connected.
- Consult the dealer or an experienced radio/TV technician for help.

**WARNING:** Changes or modifications to this unit not expressly approved by the party responsible for compliance could void the user's authority to operate the equipment.

**Troubleshooting:**  
 Your fan may occasionally jerk forward and backward upon start up. This is normal and does not affect fan operation. Try these troubleshooting steps before contacting Customer Service.

TROUBLE	SOLUTION
fan will not start	<ol style="list-style-type: none"> <li>Check circuit fuses or breakers.</li> <li>Check all electrical connections to insure proper contact. <b>CAUTION:</b> Make sure the main power is OFF when checking any electrical connection.</li> </ol>
fan sounds noisy	<ol style="list-style-type: none"> <li>Make sure all motor housing screws are snug.</li> <li>Make sure the screws that attach the fan blade brackets to the motor are tight.</li> <li>Make sure wire nut connections are not rubbing against each other or the interior wall of the switch housing. <b>CAUTION:</b> Make sure the main power is OFF.</li> <li>Allow "break-in" period of 24 hours. Most noises associated with a new fan will disappear during this time.</li> <li>If using an optional light kit, make sure the screws securing the glassware are tight. Make sure the light bulbs are not touching any other component.</li> </ol>
fan wobbles	<ol style="list-style-type: none"> <li>Check that all blade and blade arm screws are secure.</li> <li>Most fan wobbling problems are caused when blade levels are unequal. Check this level by selecting a point on the ceiling above the tip of one of the blades. Measure this distance. Rotate the fan until the next blade is positioned for measurement. Repeat for each blade. The distance deviation should be equal within 1/8".</li> <li>Use the enclosed Blade Balancing Kit if the blade wobble is still noticeable.</li> <li>If the blade wobble is still noticeable, interchanging two adjacent (side by side) blades can redistribute the weight and possibly result in smoother operation.</li> </ol>

**Carro USA Inc**  
 1431 S. Baker Ave. Ontario CA 91761  
 Tel: 888-253-2374  
 www.smefan.com | cs@carrohome.com



**ITEM: WGS-524GL-FM**  
 Technical Parameter: AC 120V 60HZ

**SMART CEILING FAN INSTALLATION GUIDE**  
 Please read and follow all the Instructions carefully before using this product  
 The product image shown here is indicative only.  
 Actual product you receive may differ.