

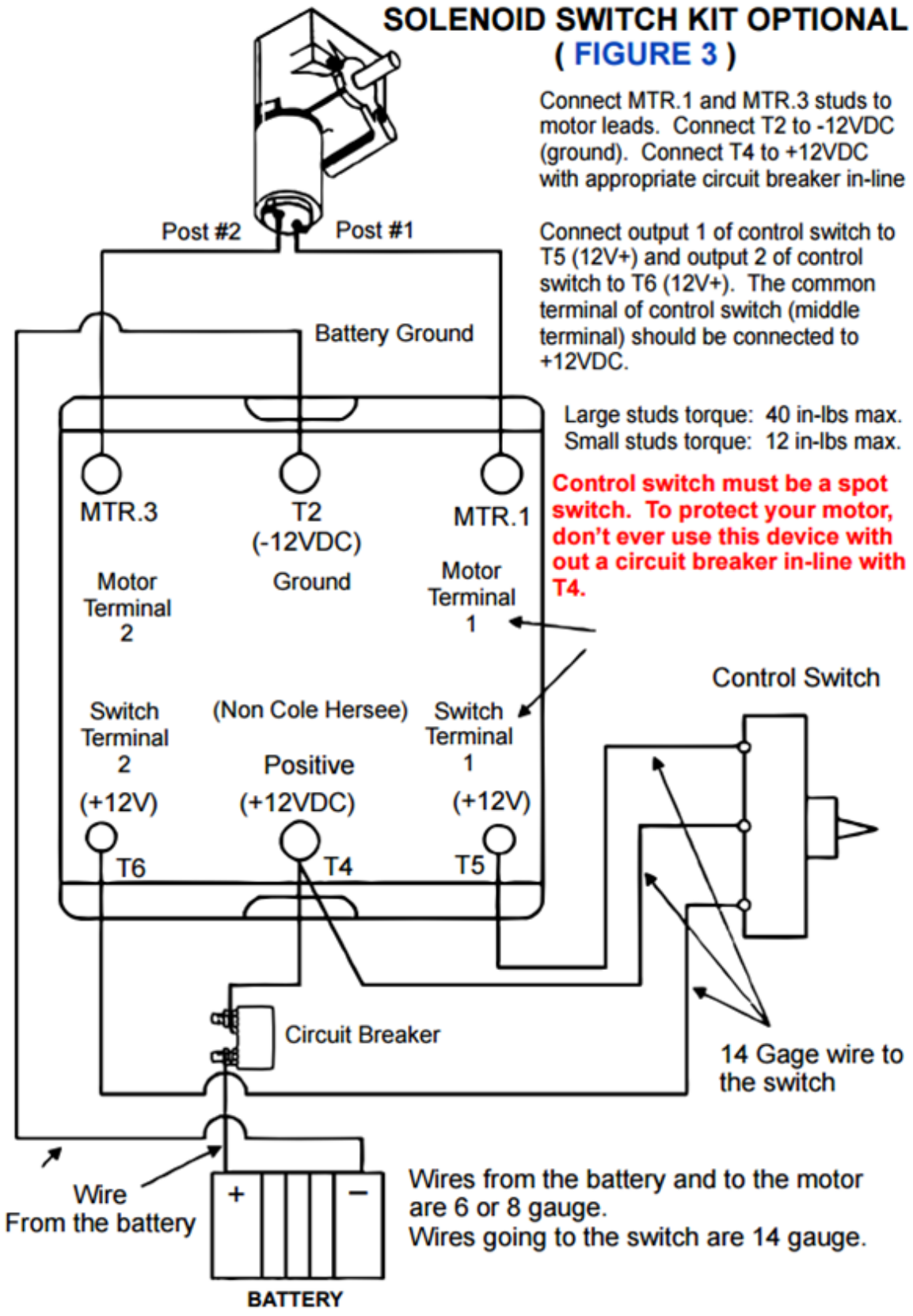
SOLENOID SWITCH KIT OPTIONAL (FIGURE 3)

Connect MTR.1 and MTR.3 studs to motor leads. Connect T2 to -12VDC (ground). Connect T4 to +12VDC with appropriate circuit breaker in-line

Connect output 1 of control switch to T5 (12V+) and output 2 of control switch to T6 (12V+). The common terminal of control switch (middle terminal) should be connected to +12VDC.

Large studs torque: 40 in-lbs max.
Small studs torque: 12 in-lbs max.

Control switch must be a spot switch. To protect your motor, don't ever use this device without a circuit breaker in-line with T4.



Wires from the battery and to the motor are 6 or 8 gauge.
Wires going to the switch are 14 gauge.