



TPWX2GD

TPWX2GD "HAZARDOUS ZONE" SERIES PALLET TRUCK SCALE ATEX



Pallet truck scales, with built-in electronic weighing, for dangerous areas classified as hazardous (ZONES 1 and 21 & 2 and 22) in accordance with Ex II 2GD IIB T4 T197°C X. The ATEX certified four load cell weight detection IP68 guarantees the best accuracy in all work conditions. Available also CE-M APPROVED.

The best solution  
for advanced industrial  
applications

## MAIN FEATURES

- Maximum lifting capacity: 2500 kg.
- Accuracy: +/- 0.05% of the maximum capacity.
- Fork dimensions 1150 x 550 x 85 mm.
- Weighs about 125 kg.
- Bearing structure in extra thick sheet steel and oven-fire painted interior construction.
- Standard fitted swivelling column head.
- Steering wheels and double loading rollers with a poliurethane coating.
- Atex certified, 4 stainless steel IP68 shear-beam load cells.
- Indicator with easy to clean satined stainless steel case with IP68 enclosure built to withstand humid and dusty environments; large LCD display 25-mm high contrast digits which are clearly visible even in poor lighting conditions; 17-key numerical/functional membrane waterproof keyboard.
- Calibration and Set-Up parameters configurable from keyboard.
- Power supply through extractable battery, rechargeable in safe zone.
- 150-hour approximate operating time.
- Equipped with 230Vac 50 Hz battery charger to be recharged in a safe area.

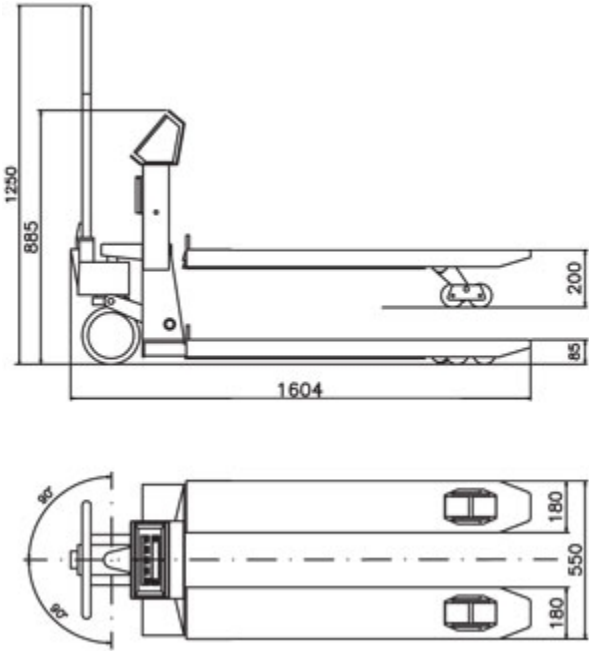
## MAIN FUNCTIONS

- Zeroing, Tare
- High Resolution Weighing x 10
- Net/Gross or lb/kg conversion
- Weighs accumulation
- Formulation
- Counting
- Hold

## AVAILABLE UPON PRICE ESTIMATE

- 680 mm fork width.
- Special fork length from 850 to 1500 mm.
- Special capacity e/o divisions.
- High resolution.

## DETAIL 1



Dimensions in mm.

## VERSIONS

### Versions available

| Code       | Max (kg)      | d (kg)    | <b>M</b> (kg) | d* HR (kg)  |
|------------|---------------|-----------|---------------|-------------|
| TPWX2GD20  | 500/1000/2000 | 0,2/0,5/1 | --            | 0,1/0,2/0,5 |
| TPWX2GD20M | 1000/2000     | --        | 0,5/1         | --          |
| TPWX2GD25  | 600/1500/2500 | 0,2/0,5/1 | --            | 0,1/0,2/0,5 |
| TPWX2GD15M | 600/1500      | --        | 0,2/0,5       | --          |
| TPWX2GD25M | 1500/2500     | --        | 0,5/1         | --          |

(\* ) The HR division is obtainable only with the relative EHR option



GRAVITATION LTD.

UNIT 2B SECTION 5 DUNSHAUGHLIN - - CO. MEATH - IRELAND

Tel. 00353469078900

Fax. 00353469078911

E-mail [info@gravitation.ie](mailto:info@gravitation.ie)

Web [www.gravitation.ie](http://www.gravitation.ie)