



SBX1KL500-2500

SBX-1KL SERIES SHEAR BEAM LOAD CELLS, from 500kg to 2500kg



Stainless steel approved shear beam load cells, suitable for creating CE-M approved scales with 4 load cells, or for weighing tanks and hoppers, with the aid of its accessories.

CAPACITIES (kg): 500, 1000, 2000, 2500.

OIML R60. C3 precision class.

Stainless steel. IP68 protection.

The best solution
for advanced industrial
applications

MAIN FEATURES

- C3 PRECISION CLASS
- STAINLESS STEEL CONSTRUCTION WITH LASER WELDING
- IP68 PROTECTION
- MAX. CAPACITIES FROM 500 TO 2500 kg
- SHIELDED CONNECTION CABLE
- TEST CERTIFICATE AVAILABLE UPON REQUEST

TECHNICAL FEATURES

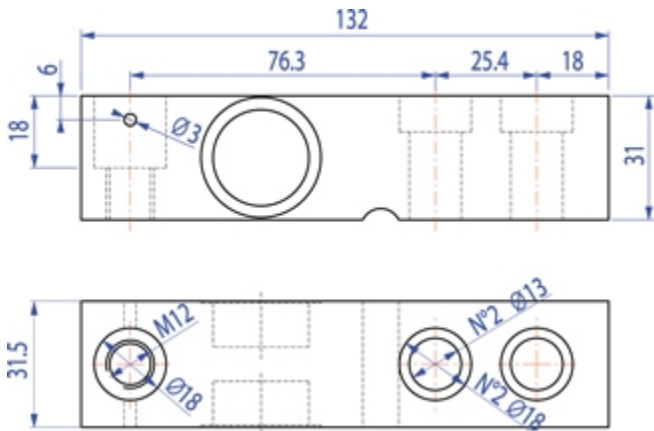
- Minimum load cell verification interval $V_{min} = E_{Max} / 10.000$
- Maximum number of verification intervals $n_{LC} = 3000$
- Combined error 0,017% of Full Scale Output (F.S.)
- Full Scale Output 2mV/V +/- 0.5%
- Temperature effect on zero 0,002% / °C
- Temperature effect on full scale output 0,002% / °C
- Compensated Temperature Range -10°C/+50°C
- Operating Temperature Range -20°C/+60°C
- Creep error after 30 minutes 0,02% F.S.
- Maximum tolerated excitation voltage 15 VDC
- Input Resistance 1100 ± 20 Ohm
- Output Resistance 1000 ± 20 Ohm
- Insulation Resistance >5000 MOhm
- Safe Overload 150% F.S.
- Ultimate Overload 300% F.S.
- 6-wire shielded cable, 5m long, 5 mm diameter

ATEX VERSION

- The CCATEX certificate makes the load cell suitable for use in hazardous areas with protection methods according to:
ATEX II 1G Ex ia IIC T6 (Ta -20÷+40°C) TX (Ta -20÷+65°C) Ga
ATEX II 1D Ex ta IIIC TX°C (Ta -20÷+40°C) TX°C (Ta -20÷+65°C) Da IP65.
The certificate includes the manual and the ATEX CE conformity declaration (available in EN, DE, FR, and IT).
- IMPORTANT: the certificate refers to the single load cell. For systems with more load cells, it is necessary to order one certificate for each load cell.

DIMENSIONS - DECODING STANDARD CABLE

- NOTE: dimensions in mm



- Decoding of the standard cable colours

Colour	Function
--	SHIELD
YELLOW	OUTPUT +
GREY	SENSE +
BROWN	INPUT +
WHITE	OUTPUT -
GREEN	INPUT -
PINK	SENSE -

VERSIONS

Versioni disponibili

Codice	Max (kg)
SBX500-1KL M	500
SBX1000-1KL M	1000
SBX2000-1KL M	2000
SBX2500-1KL M	2500



GRAVITATION LTD.

UNIT 2B SECTION 5 DUNSHAUGHLIN - - CO. MEATH - IRELAND

Tel. 00353469078900

Fax. 00353469078911

E-mail info@gravitation.ie

Web www.gravitation.ie

All the specifications and images can be subject to variations and upgrades without prior notice.