



RSBT

RSBT DOUBLE SHEAR BEAM LOAD CELLS



Double shear beam load cells particularly suitable for weighing weighbridges, dosage systems, tanks, silos, etc., complete of support and oscillating sphere joint. CE-M approved.

CAPACITIES (kg): 25000, 40000.

OIML R60. C3 precision class.

Nickel-plated steel. IP68 protection.

The best solution
for advanced industrial
applications

MAIN FEATURES

- C3 PRECISION CLASS;
- EXECUTED IN NICKEL-PLATED STEEL WITH LASER SOLDERINGS;
- HIGH PRECISION AND LINEARITY ALSO WITH NON PERPENDICULAR LOADS;
- OPTIMISED FOR PARALLEL CONNECTION;
- IP68 PROTECTION DEGREE;
- CAPACITY FROM 25000 TO 40000kg;
- SHIELDED TEFLON CONNECTION CABLE;
- TEST CERTIFICATE AVAILABLE UPON REQUEST.

TECHNICAL FEATURES

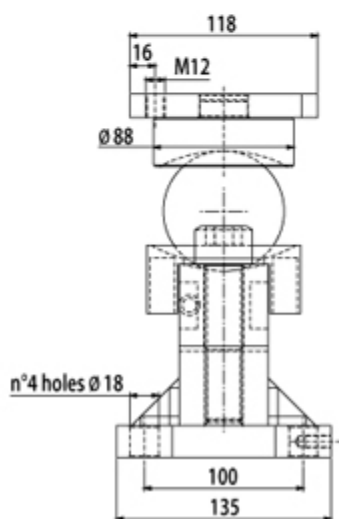
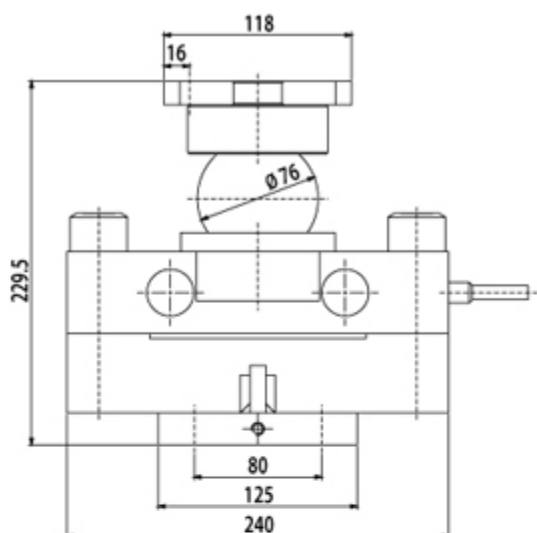
- Minimum verification interval: $V_{min} = E_{Max} / 10.000$;
- Maximum number of load cell divisions: $n_{LC}=3000$ (C3);
- Full Scale Output: $2mV/V \pm 0,2\%$;
- Temperature effect on full scale output: $0,0014\%FS/^{\circ}C$;
- Temperature effect on the zero: $\pm 0,0017\%FS/^{\circ}C$;
- Compensated temperature range: $-10^{\circ}C/+40^{\circ}C$;
- Operating temperature range: $-35^{\circ}C/+65^{\circ}C$;
- Creep error after 30 minutes: $0,02\%$ F.S.;
- Excitation voltage: from 5 to 18 VDC;
- Input Resistance: 750 Ohm;
- Output Resistance: 700 ± 7 Ohm;
- Zero Balance: $\pm 1,5\%$ F.S.;
- Insulation resistance > 5000 MOhm;
- Safe overload $> 150\%$ F.S.;
- Maximum overload 300% F.S.;
- 4-wire shielded cable, 15m long.

<u>Wiring Code</u>	
<u>Colour</u>	<u>Function</u>
--	SHIELD
GREEN	OUTPUT +
RED	INPUT +
WHITE	OUTPUT -
BLACK	INPUT -

ATEX VERSION

- The CCATEX certificate makes the load cell suitable for use in hazardous areas with protection methods according to:
ATEX II 1G Ex ia IIC T6 (Ta $-20 \div +40^{\circ}C$) TX (Ta $-20 \div +65^{\circ}C$) Ga
ATEX II 1D Ex ta IIIC TX $^{\circ}C$ (Ta $-20 \div +40^{\circ}C$) TX $^{\circ}C$ (Ta $-20 \div +65^{\circ}C$) Da IP65.
The certificate includes the manual and the ATEX CE conformity declaration (available in EN, DE, FR, and IT).
- IMPORTANT: the certificate refers to the single load cell. For systems with more load cells, it is necessary to order one certificate for each load cell.

DETAIL 1



VERSIONS

Versioni disponibili

Codice	Max (kg)
RSBT25C3	25000
RSBT40C3	40000



GRAVITATION LTD.

UNIT 2B SECTION 5 DUNSHAUGHLIN - - CO. MEATH - IRELAND

Tel. 00353469078900

Fax. 00353469078911

E-mail info@gravitation.ie

Web www.gravitation.ie

All the specifications and images can be subject to variations and upgrades without prior notice.