



RCD

"RCD" SERIES COLUMN LOAD CELLS



Digital version of compression load cells, 4000 divisions, ideal for CE-M approved weighbridges, tanks, silos, etc. Manufactured in STAINLESS STEEL, with IP68 protection, fitted with "anti rat" armoured cable.

CAPACITIES (kg): 30000.

OIML R60. C4 precision class.

Stainless steel. IP68 protection.

The best solution
for advanced industrial
applications

MAIN FEATURES

- C4 PRECISION CLASS.
- MANUFACTURED IN STAINLESS STEEL.
- IP68 PROTECTION.
- 30.000/40000 kg CAPACITY
- SURGE ARRESTERS' EQUIPPED
- "ANTI RAT" 15 m ARMOURED CABLE.
- TEST CERTIFICATE AVAILABLE UPON REQUEST.

TECHNICAL FEATURES

- 200.000d full load capacity resolution
- Combined error of Full Scale Output: $\pm 0,017\%$
- Operating temperature range: $-20^{\circ}\text{C}/+60^{\circ}\text{C}$
- Power supply voltage from 7,5 to 16 VDC
- Conversion: 24 bit
- RS485 connection.
- Safe overload: 150% F.S.
- 6-pole armoured cable.

WIRING CODE

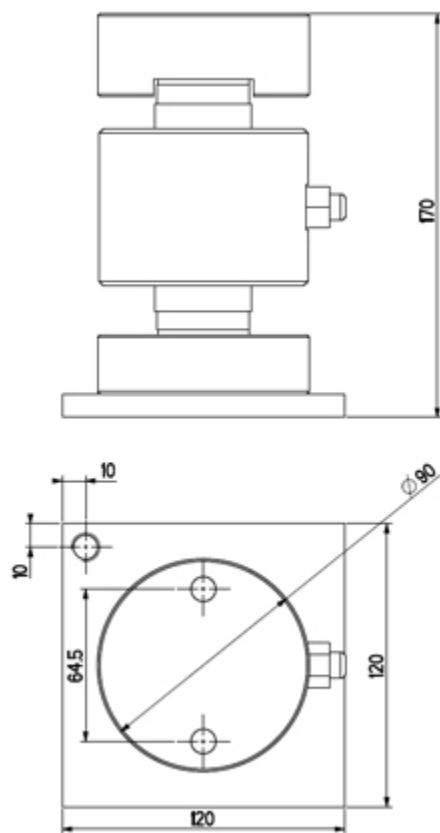
- Wiring code of the standard cable colours.

RCD cell connections	
<i>Colour</i>	<i>Function</i>
Input	
WHITE	INPUT +
BROWN	INPUT -
Input signal	
GREY	A +
PINK	B-
Output signal	
GREEN	A +
YELLOW	B-

EXTRAS AVAILABLE

- Assembly kit.

DETAIL 1



Technical drawing in mm, with KRCA kit.

VERSIONS

Versioni disponibili

Codice	Max (kg)
RCD30C4	30000
RCD40C4	40000



GRAVITATION LTD.

UNIT 2B SECTION 5 DUNSHAUGHLIN - - CO. MEATH - IRELAND

Tel. 00353469078900

Fax. 00353469078911

E-mail info@gravitation.ie

Web www.gravitation.ie

All the specifications and images can be subject to variations and upgrades without prior notice.