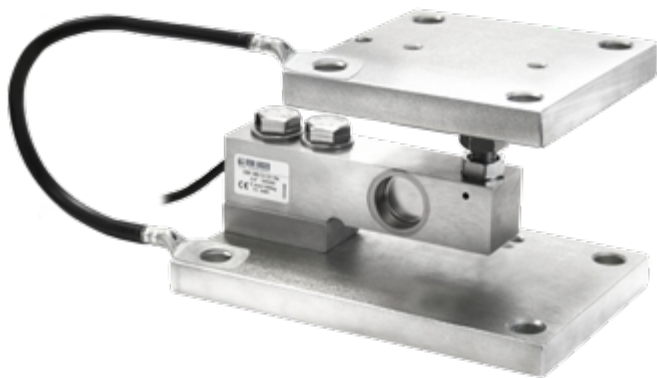




KSB

ASSEMBLY KITS FOR SHEAR BEAM LOAD CELLS



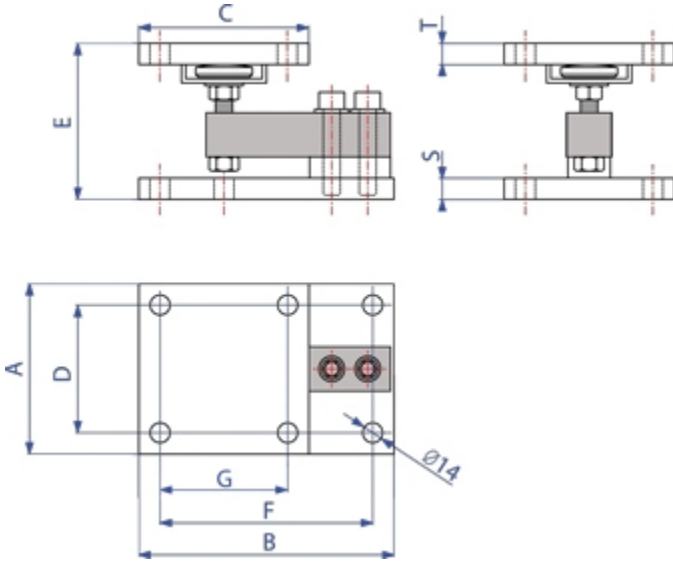
Assembly kits for SB... shear beam load cells: accessories suitable for weighing hoppers, tanks, platforms, etc. The special articulation guarantees an excellent measuring accuracy also in the presence of dilatations and/or bending of the weighing structure. Furthermore it's possible to adjust the height for an optimal levelling of the structure to be weighed.

The best solution
for advanced industrial
applications

MAIN FEATURES

- MANUFACTURED IN AISI304 STAINLESS STEEL
- HINGE ADJUSTABLE IN HEIGHT
- MECHANICAL COMPENSATION OF THERMAL SWELLINGS AND TRANSVERSAL FORCES
- EASY TO INSTALL
- GUARANTEES THE MAXIMUM PRECISION OF THE LOAD CELL.

DETAIL 1



	A	B	C	D	E	F	G	S	T
KSB2	120	180	120	90	110	150	90	15	15
KSB5	120	215	120	90	150	185	90	25	15

dimensions in mm



GRAVITATION LTD.

UNIT 2B SECTION 5 DUNSHAUGHLIN - - CO. MEATH - IRELAND

Tel. 00353469078900

Fax. 00353469078911

E-mail info@gravitation.ie

Web www.gravitation.ie

All the specifications and images can be subject to variations and upgrades without prior notice.