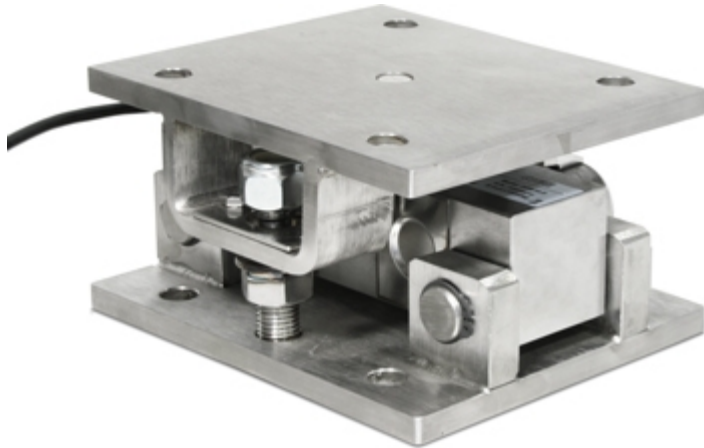




KDSBN

ASSEMBLY KITS FOR DOUBLE SHEAR BEAM LOAD CELLS



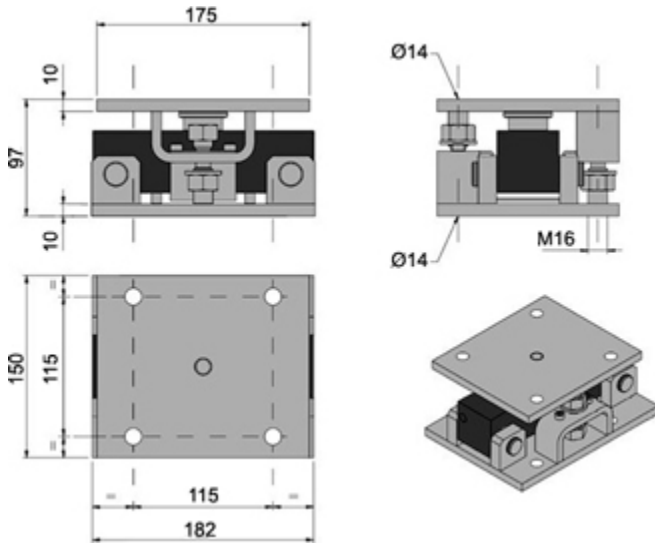
Mounting kits for DSBi double shear beam load cells: Accessories suitable for weighing hoppers, tanks, platforms, etc. etc. The special articulation guarantees an excellent measuring accuracy also in the presence of dilatations and/or bending of the weighing structure.

The best solution
for advanced industrial
applications

MAIN FEATURES

- MANUFACTURED IN AISI304 STAINLESS STEEL
- GREAT RESISTANCE TO LATERAL FORCES
- BOLTS FOR MAINTAINING THE RAISED POSITION, FOR EASY INSTALLMENT AND/OR SUBSTITUTION OF THE LOAD CELL
- SELF-CENTERING CONNECTION SEGMENT BETWEEN LOWER AND UPPER PLATES.

DETAIL 1



KDSBN: dimensions in mm



GRAVITATION LTD.

UNIT 2B SECTION 5 DUNSHAUGHLIN - - CO. MEATH - IRELAND

Tel. 00353469078900

Fax. 00353469078911

E-mail info@gravitation.ie

Web www.gravitation.ie

All the specifications and images can be subject to variations and upgrades without prior notice.