



KSBN

ASSEMBLY KITS WITH A SPHERICAL JOINT FOR SHEAR BEAM LOAD CELLS



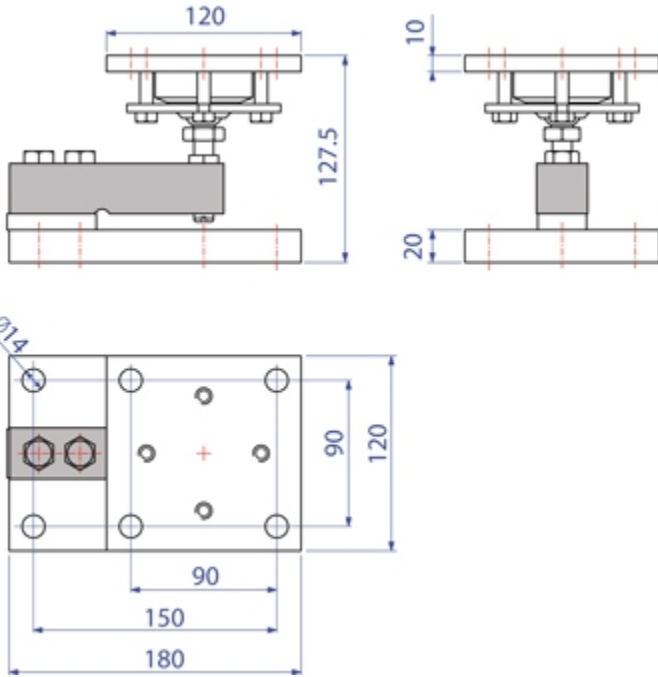
Assembly kits for SB... shear beam load cells: accessories suitable for weighing hoppers, tanks, platforms, etc. The special oscillating spherical joint guarantees an excellent measuring accuracy also in the presence of dilatations and/or bending of the weighing structure.

The best solution
for advanced industrial
applications

MAIN FEATURES

- MANUFACTURED IN GALVANIZED STEEL
- OSCILLATING SPHERICAL JOINT
- MECHANICAL COMPENSATION OF THERMAL SWELLINGS AND TRANSVERSAL FORCES
- EASY TO INSTALL
- GUARANTEES THE MAXIMUM PRECISION OF THE LOAD CELL.

DETAIL 1



Dimensions in mm



GRAVITATION LTD.

UNIT 2B SECTION 5 DUNSHAUGHLIN - - CO. MEATH - IRELAND

Tel. 00353469078900

Fax. 00353469078911

E-mail info@gravitation.ie

Web www.gravitation.ie

All the specifications and images can be subject to variations and upgrades without prior notice.