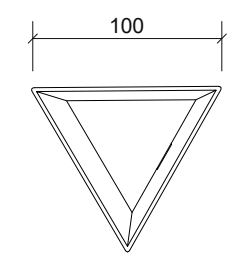
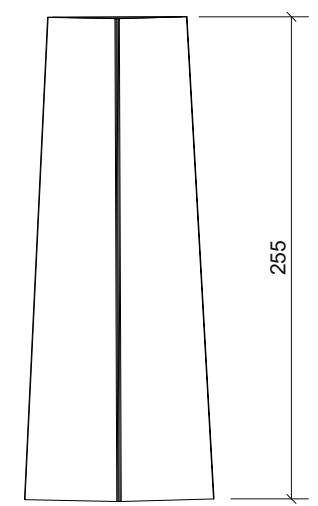
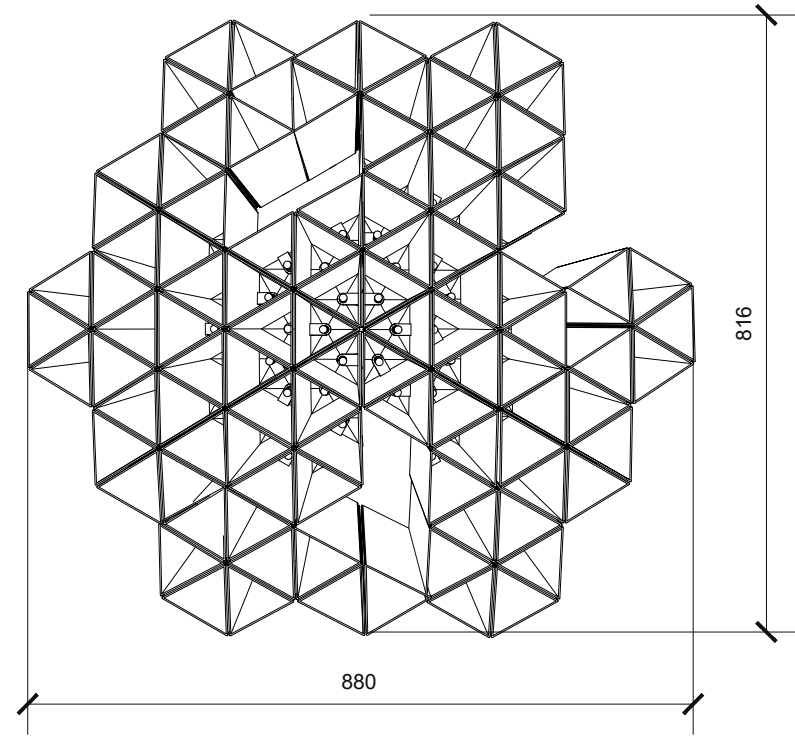


**Alavus Elevation View**



**Top View and Elevation  
of Trumpets @1:4**



**Alavus Reflected Ceiling Plan**

**Notes:**  
5% manufacturing tolerance  
  
Drivers available in all dimming protocols

**Project:**  
CDH Standard

**Drawing No:** DR-CDH-1025      **Date:** 20/02/2018

**Product name:**  
Alavus Standard  
  
*Customisable sizes*  
*Contact CDH for more details*

**Scale:** 1:20 @ A3      **Drawn by:** RMO