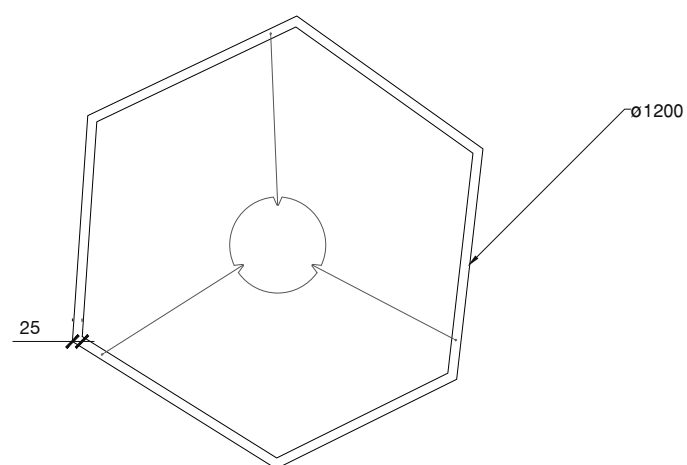


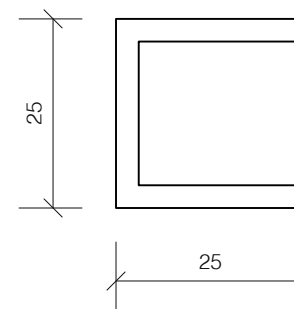


Elevation View - Ceiling Rose

Elevation View - Direct Attach



Reflected Ceiling Plan



Profile @1:1

Notes:
5% manufacturing tolerance

Drivers available in all dimming protocols

Project:
CDH Standard

Drawing No:
DR-CDH-1021

Date:
20/02/2018

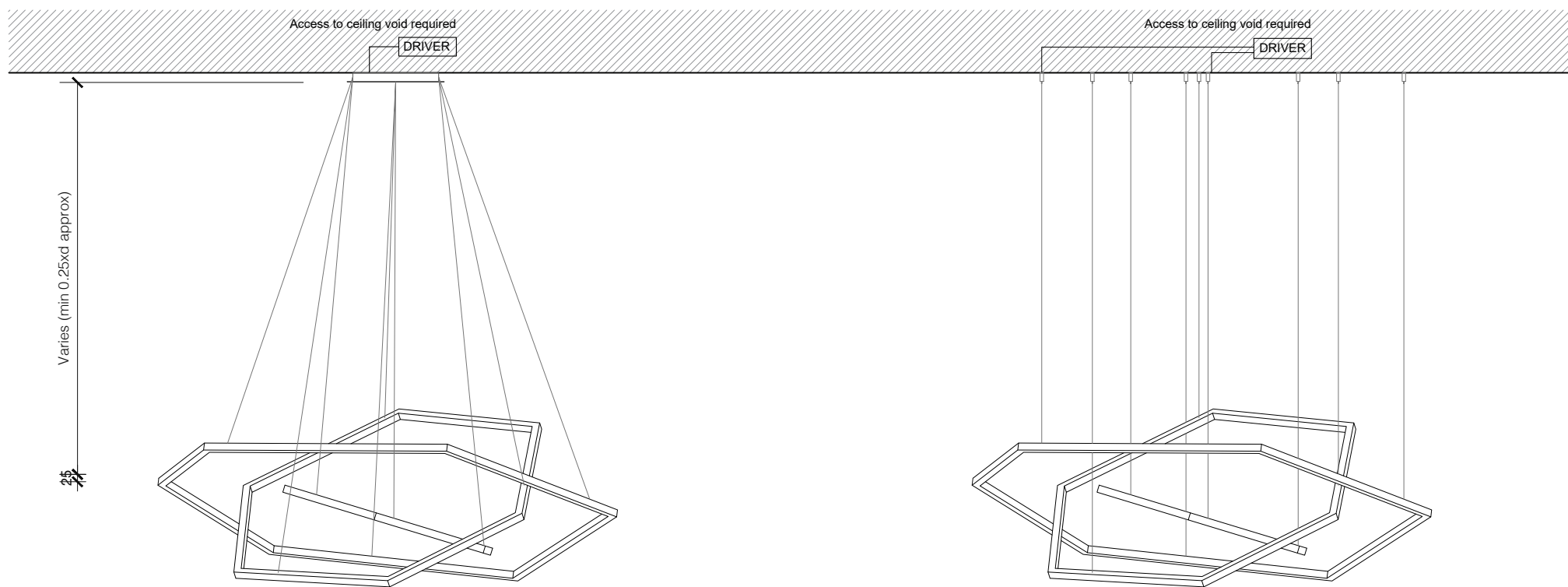
Product name:
Vesanto Single Standard

Customisable rings diameter: 800-2000mm

Contact CDH for more details

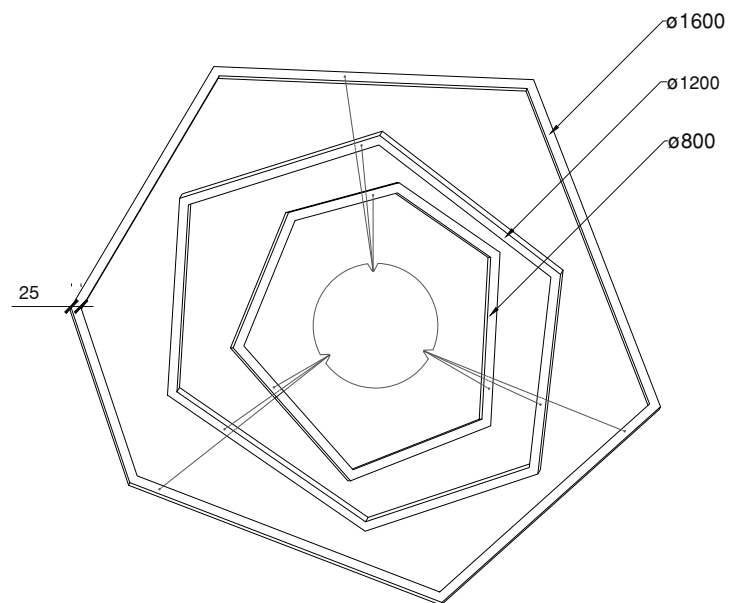
Scale: 1:20 @ A3

Drawn by: RMO

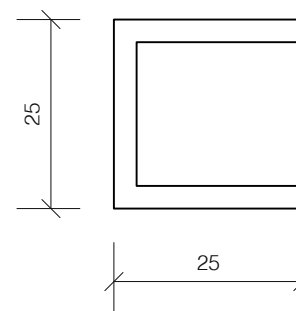


Elevation View - Ceiling Rose

Elevation View - Direct Attach



Reflected Ceiling Plan



Profile @1:1

Notes:
5% manufacturing tolerance

Drivers available in all dimming protocols

Project:
CDH Standard

Drawing No:
DR-CDH-1021

Date:
20/02/2018

Product name:
Vesanto Triple Standard

Customisable rings diameter: 800-2000mm

Contact CDH for more details

Scale: 1:20 @ A3 **Drawn by:** RMO