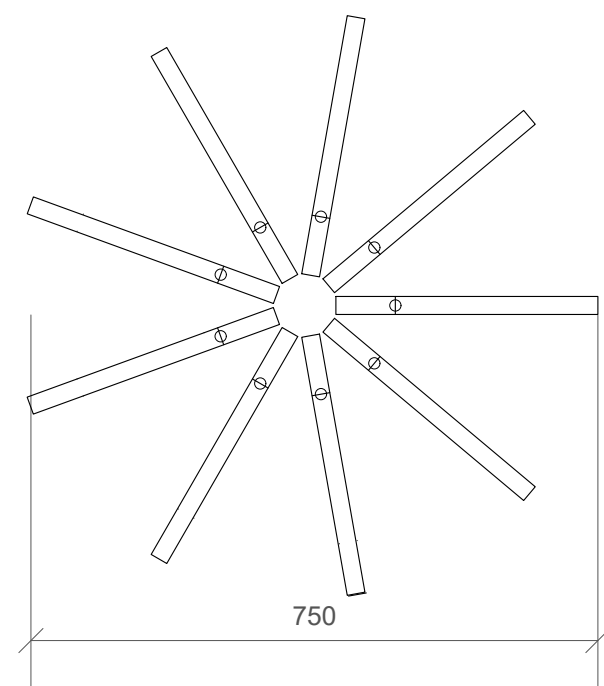


Elevation with direct attach



Salla Plan View

Notes:
5% manufacturing tolerance

Drivers available in all dimming protocols

Project:
CDH Standard

Drawing No: DR-CDH-1019 **Date:** 20/02/2018

Product name:
Salla 6 Segments Standard

Customisable sizes: 500-1000mm width

Contact CDH for more details

Scale: 1:20 @ A3 **Drawn by:** RMO