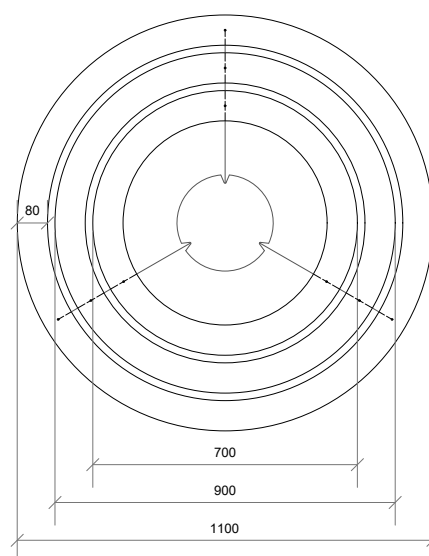
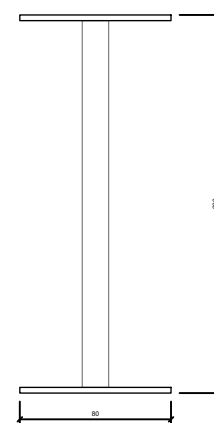


**Elevation with ceiling rose**

**Elevation with direct attach**



**Reflected Ceiling Plan**



**Rings section @ 1:4**

**Notes:**  
5% Manufacturing tolerance.

Drivers available in all dimming protocols

**Project:**  
CDH Standard

**Drawing No:**  
DR-CDH-1015

**Date:**  
25/07/2017

**Product name:**  
Eskola 3 Tiers Standard

*Customisable rings diameter: 400-3000mm*

*Contact CDH for more details*

**Scale:** 1:20 @ A3 RMO