

# Haara Wall Branch

**CAMERON  
DESIGN  
HOUSE**



A branching wall light evolution of the award-winning Haara chandelier. The cylindrical lanterns are made from hand-drawn glass rods with brass caps to conceal the lighting element. Available in a variety of configurations and finishes. Bespoke options and design service available.

**Light Source** Glass diffusers. Integral LED lighting. LED lights, CRI>95, ~ 50K hours life. LED standard colour temperature options: 2.7k and 3k (other temperatures available on request) Power to fixtures: Via suspension cables. Light Output: decorative lighting element only. Indicative Lux level available on request.

**LED Driver** Intergrated Triac Dimmable (5%-100%) as standard, All dimming protocols available on request. Wattage dependent on sizing. Output Voltage: 24V. Input Voltage: 110V-230V-277V, to be specified.

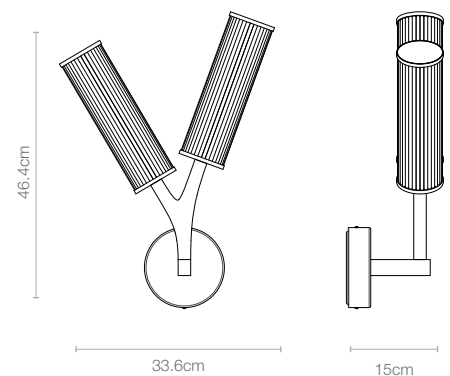
**Maintenance** Clean with smooth and dry cloth. Do not use any ammonia, solvents or abrasives. No user serviceable components. Contact Cameron Design House for further information.

Bespoke options and design service available. All fittings and installation instructions are provided.

Contact CDH for further technical details/downloads: [technical@camerondesignhouse.com](mailto:technical@camerondesignhouse.com) [camerondesignhouse.com](http://camerondesignhouse.com)

## Haara Wall Branch

H46.4xW33.6xD15cm  
H18.2"xW13.3"xW5.9"



## Finishes and Materials Options - Size limitation for some finishes, contact CDH for a formal quotation.

