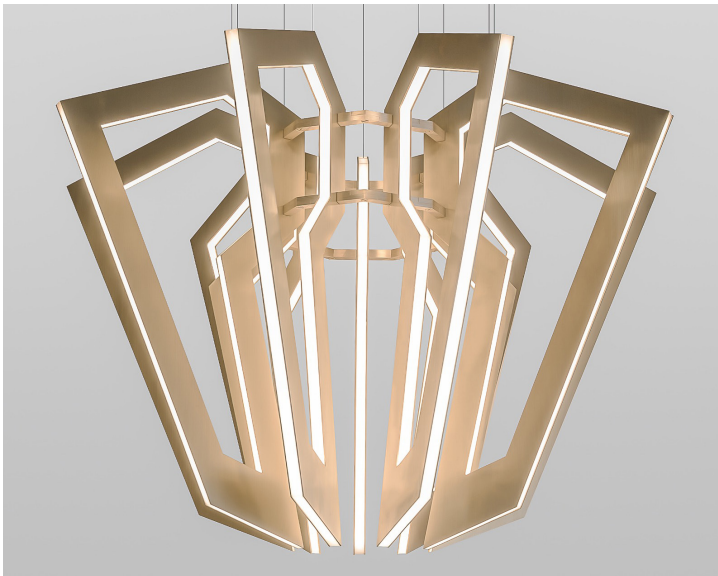


# Salla



*The Salla is a striking multi-faceted pendant which demands attention from any angle. The piece features strong lines and strict symmetry.*

Made of 6 or 9 segments, proportionally sized and customisable. Bespoke options available. Integral LED lighting.

**Hanging** - Fully adjustable drop height on 1.2mm stainless steel suspension cables.

**Light Source** - Opal light diffusers. LED matrix, CRI>95, ~ 50K hours life.

LED standard colour temperature options: 2.7k and 3k (other temperatures available on request)

Power to fixtures: Via suspension cables.

Light Output: decorative lighting element only.

Indicative Lumen level available on request.

**LED Driver** - Triac Dimmable (5%-100%) as standard, all dimming protocols available on request.

Wattage dependent on sizing. Class II driver as standard.

Output Voltage: 24V.

Input Voltage: 110V-230V-277V, to be specified.

Bespoke options and design service available.

All fittings and installation instructions are provided.

### Maintenance

Clean with smooth and dry cloth. Do not use any ammonia, solvents or abrasives. No user serviceable components.

Refer to instruction manual for detailed cleaning instructions.

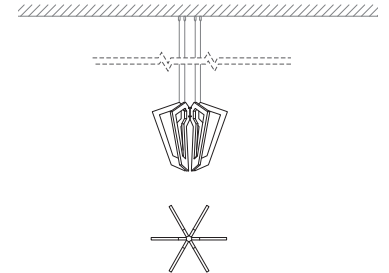
Contact CDH for further technical details/downloads:

[technical@camerondesignhouse.com](mailto:technical@camerondesignhouse.com)

<https://camerondesignhouse.com>

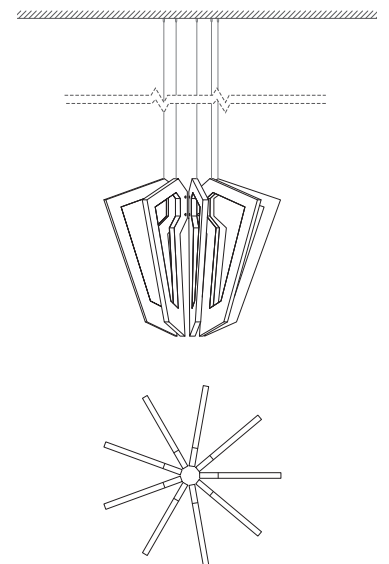
### Salla 6 segments

Standard diameters:  
70cm  
28"



### Salla 9 segments

Standard diameters:  
100/130cm  
40"/50"



Ceiling Rose or Direct attach as standard. Download our "Standard hanging option" spec for further information. Custom option available.

### Finishes and Materials Options - Size limitation for some finishes, contact CDH for a formal quotation.



\*Will tarnish over time