

Haara



The branching frame of the Haara has a delicate and finely engineered structure, making a unique design statement in any space.

Hanging Fully adjustable drop height on 1.2mm stainless steel suspension cables.

Light Source Glass diffusers. Integrated LED. LED lights, CRI>95, ~ 50K hours life. LED standard colour temperature options: 2.7k and 3k (other temperatures available on request) Power to fixtures: Via suspension cables. Light Output: decorative lighting element only. Indicative Lumen level available on request.

LED Driver Triac Dimmable (5%-100%) as standard, All dimming protocols available on request. Wattage dependent on sizing. Output Voltage: 24V. Input Voltage: 110V-230V-277V, to be specified.

Maintenance

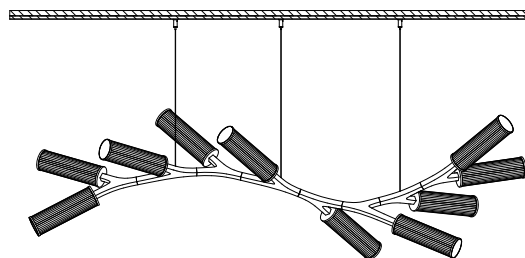
Clean with smooth and dry cloth. Do not use any ammonia, solvents or abrasives. No user serviceable components. Contact Cameron Design House for further information.

Bespoke options and design service available. All fittings and installation instructions are provided.

Contact CDH for further technical details/downloads: technical@camerondesignhouse.com camerondesignhouse.com

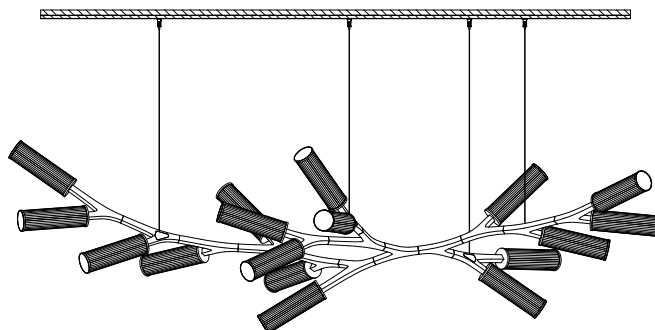
Haara Ten

Standard dimensions:
L170xH50xW40cm
L67"xH20"xW16"



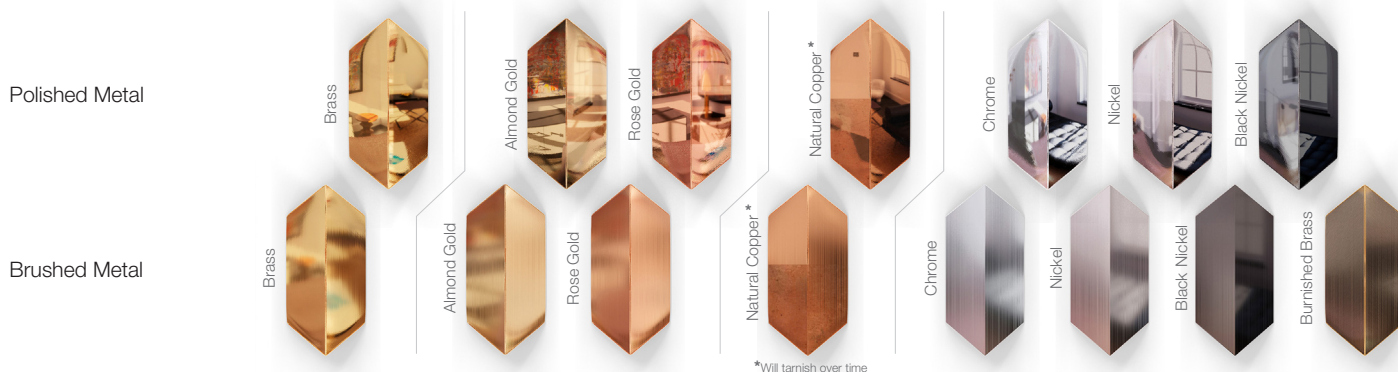
Haara Seventeen

Standard dimensions:
L240xH60xW95cm
L95"xH24"xW37"



Direct attach as standard. Download our "Standard hanging option" spec for further information. Custom option available.

Finishes and Materials Options - Size limitation for some finishes, contact CDH for a formal quotation.



*Will tarnish over time