

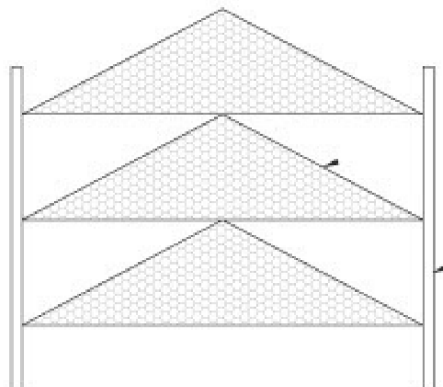
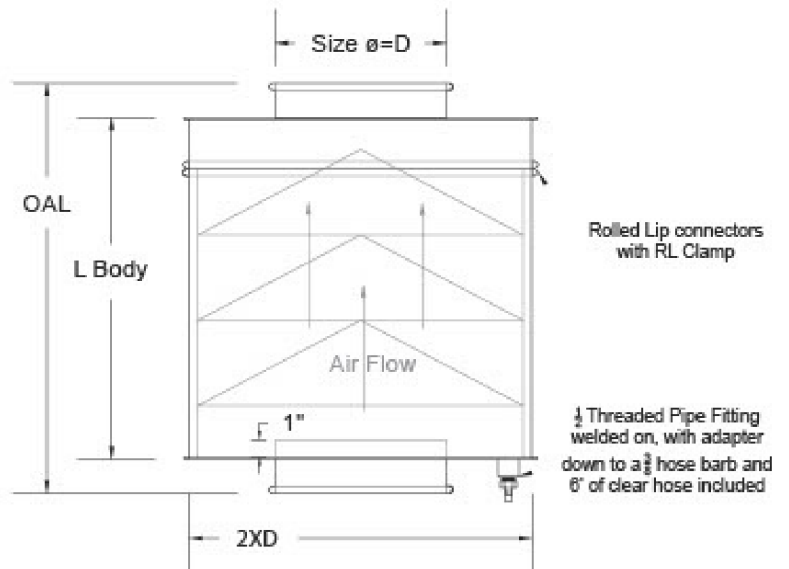


Vertical Oil Mist Accumulator

As oil-laden air or gas enters the accumulator, the vertical design allows gravity to assist in the separation process. The heavier oil droplets tend to fall to the bottom due to gravity, while the lighter air or gas rises.



Size ϕ	L-Body	OAL
4"	8"	12"
5"	10"	14"
6"	12"	16"
7"	14"	18"
8"	16"	20"
9"	18"	22"
10"	20"	24"
11"	22"	26"
12"	24"	28"



PERFORATED METAL,
Carbon Steel, Cold Rolled,
18 Gauge (.0478" Thick),
5/32" Round Holes on 3/16"
Staggered Centers, 63%
Open Area

with $\frac{1}{2}$ " sq. bar as support
TYP.3-4x