

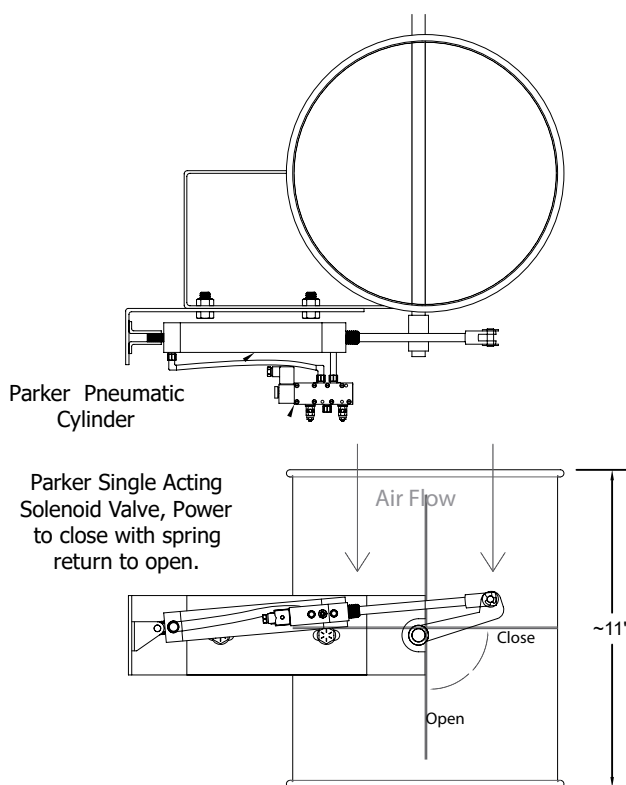


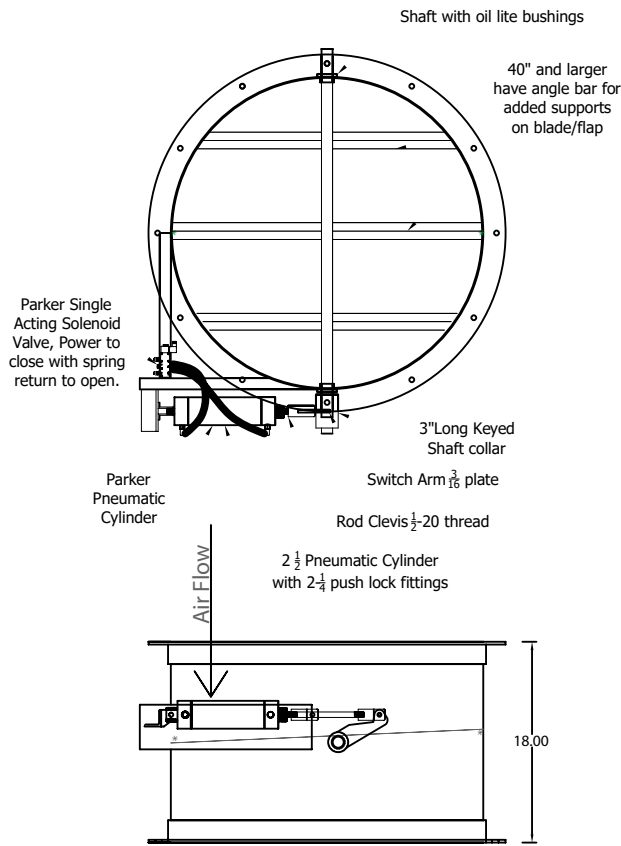
Automatic Butterfly

US Duct's Automatic Butterfly Valves are pneumatically operated and electrically controlled. The pneumatic cylinder requires 90 psi to operate but uses very little volume. A single-acting solenoid activates the cylinder. The solenoid is activated by virtually any electrical signal 12/24 V, AC/DC, or 110/220 line voltage. These solenoids operate off of milliamps and therefore require minimal wiring.



| AUTO BUTTERFLY | | | |
|----------------|-------------|--------------------------|------------|
| Ø | Blade Gauge | Cylinder Size and Stroke | Shaft Size |
| 3" | 14 | 1.06 x 3" | 1/2 |
| 4" | 14 | 1.06 x 3" | 1/2 |
| 5" | 14 | 1.06 x 3" | 1/2 |
| 6" | 14 | 1.06 x 3" | 1/2 |
| 7" | 14 | 1.06 x 6" | 1/2 |
| 8" | 14 | 1.06 x 6" | 1/2 |
| 9" | 14 | 1.06 x 6" | 1/2 |
| 10" | 14 | 1.06 x 6" | 1/2 |
| 11" | 14 | 1.06 x 6" | 1/2 |
| 12" | 14 | 1.06 x 6" | 1/2 |
| 13" | 14 | 1.06 x 6" | 1/2 |
| 14" | 14 | 1.06 x 6" | 1/2 |
| 15" | 14 | 1.06 x 6" | 1/2 |
| 16" | 14 | 1.06 x 6" | 1/2 |
| 17" | 14 | 1.06 x 6" | 1/2 |
| 18" | 14 | 2.5 x 6" | 1" |
| 19" | 14 | 2.5 x 6" | 1" |
| 20" | 14 | 2.5 x 6" | 1" |
| 22" | 14 | 2.5 x 6" | 1" |
| 24" | 14 | 2.5 x 6" | 1" |





| AUTO BUTTERFLY | | | |
|----------------|-----------------|--------------------------|------------|
| Ø | Blade Thickness | Cylinder Size and Stroke | Shaft Size |
| 26" | 3/16 | 2.5 x 6" | 1" |
| 28" | 3/16 | 2.5 x 6" | 1" |
| 30" | 3/16 | 2.5 x 6" | 1" |
| 32" | 3/16 | 2.5 x 6" | 1" |
| 34" | 3/16 | 2.5 x 6" | 1" |
| 36" | 3/16 | 2.5 x 6" | 1" |
| 38" | 3/16 | 2.5 x 6" | 1" |
| 40" | 3/16 | 2.5 x 6" | 1" |
| 42" | 3/16 | 2.5 x 6" | 1" |
| 44" | 3/16 | 2.5 x 6" | 1" |
| 46" | 3/16 | 2.5 x 6" | 1" |
| 48" | 3/16 | 2.5 x 6" | 1" |
| 50" | 3/16 | 2.5 x 6" | 1 1/2 " |
| 52" | 3/16 | 2.5 x 6" | 1 1/2 " |
| 54" | 3/16 | 2.5 x 6" | 1 1/2 " |
| 56" | 3/16 | 2.5 x 6" | 1 1/2 " |
| 58" | 3/16 | 2.5 x 6" | 1 1/2 " |
| 60" | 3/16 | 2.5 x 6" | 1 1/2 " |