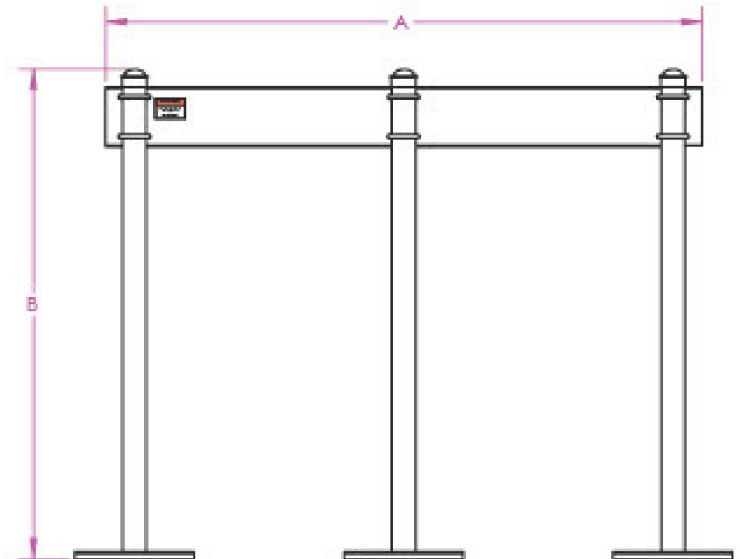
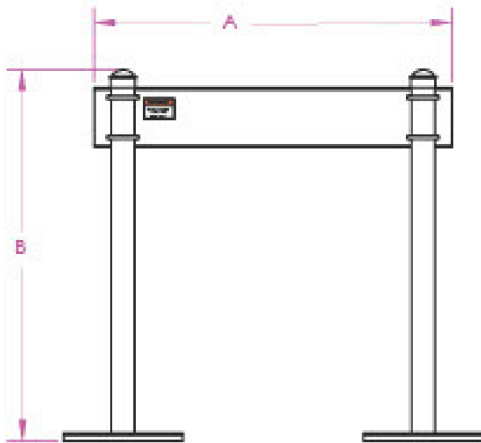




Roof Stanchions

A simple and long-lasting solution to reliably support rooftop ductwork systems. They are built using galvanized steel and U bolts making easily adjusted to rooftop slope. The bases are made of a 1/4" thick steel plate with four 1/2" holes and 1/2" thick rubber on the bottom to protect marring of rooftop material. The cross bar has 7/16" holes spacing every 2" on top and bottom.



Roof Stanchions			
Part Number	A (width)	B (height)	Center Post
RS-2436	24"	36"	NO
RS-3636	36"	36"	NO
RS-4836	48"	36"	No
RS-6048	60"	48"	Yes
RS-7248	72"	48"	Yes

other sizes available - call for more information