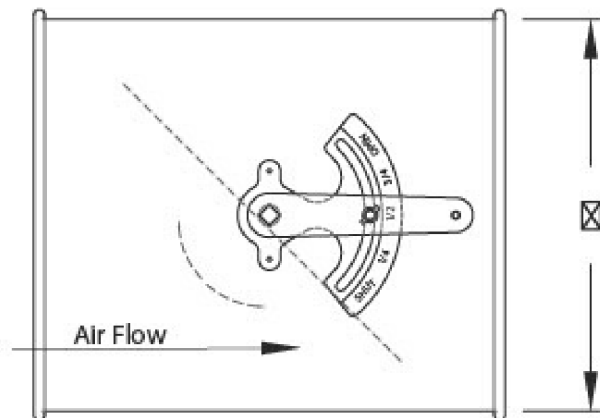




Butterfly Valve

Standard with Rolled Lip and available with Vanstone Lip and Angle Rings. Galvanized, Stainless Steel and Carbon Steel. Added Options, Half Moon Stops with sals. All butterfly vlaves are around 11" long. Comes with locking quadrant and oil lite bushings to regulate air flow, recommended in clean air application only.



Butterfly Valve																			
Ø Diameter																			
3"	4"	5"	6"	7"	8"	9"	10"	11"	12"	13"	14"	15"	16"	17"	18"	19"	20"	22"	24"