

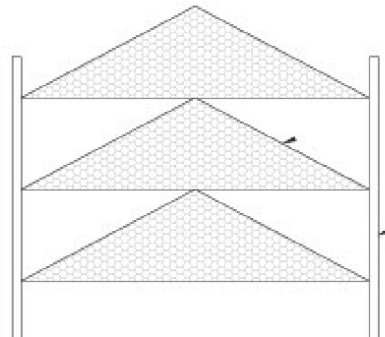
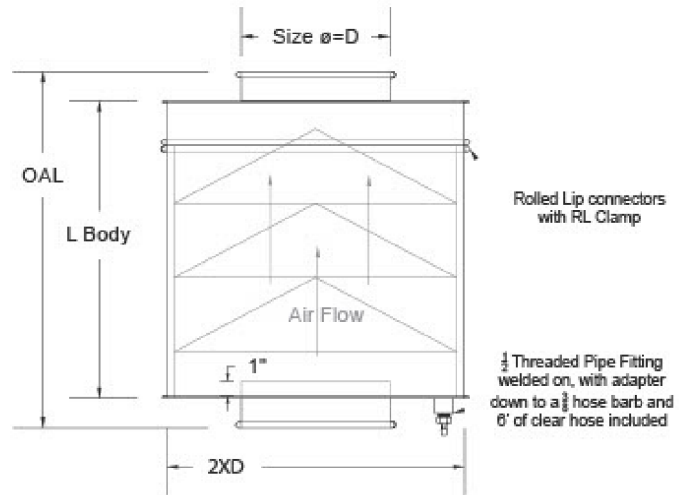


Horizontal and Vertical Oil Mist Accumulators

Oil Mist Accumulators mount directly before machining centers where they capture excess liquid.



Size ϕ	L-Body	OAL
4"	8"	12"
5"	10"	14"
6"	12"	16"
7"	14"	18"
8"	16"	20"
9"	18"	22"
10"	20"	24"
11"	22"	26"
12"	24"	28"



PERFORATED METAL,
Carbon Steel, Cold Rolled,
18 Gauge (.0478" Thick),
5/32" Round Holes on 3/16"
Staggered Centers, 63%
Open Area

with $\frac{1}{2}$ " sq. bar as support
TYP 3-4x

