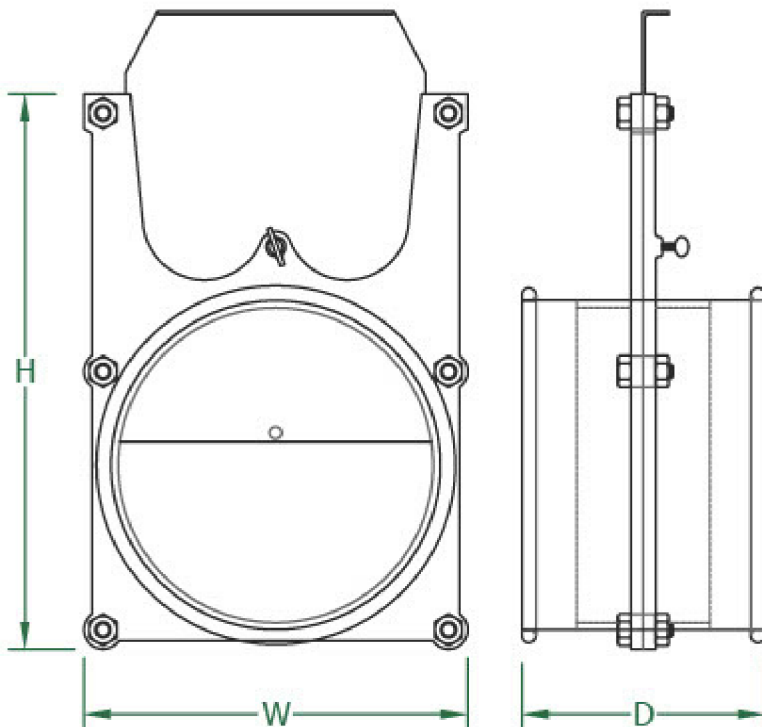




Full Cut-Off Gate

Our full cut-off gates provide a tight seal when fully closed, preventing any air from passing through the duct. The body is made of cast aluminum with steel blades and connections.



Cut Off Gate (Cast Aluminum)			
Size Ø "	H	W	D
3	5 5/8	4	5 1/2
4	6 7/8	5	5 1/2
5	8	6	5 1/2
6	10	7	5 1/2
7	11	8	5 1/2
8	12	9 5/8	5 5/8
9	13 1/2	10 1/2	5 5/8
10	14 3/8	11 5/16	5 5/8
11	16 1/4	12 1/4	5 5/8
12	16 1/4	13 3/16	5 3/4
13	19	15 3/4	14 3/4
14	19	15 3/4	5 3/4
15	21	17 5/8	14 3/4
16	21	17 5/8	5 3/4
17	32 1/4	19 3/4	14 7/8
18	32 1/4	19 3/4	11 7/8
20	34	22	11 7/8
22	34	24 1/2	11 7/8
24	34	26 1/2	11 7/8