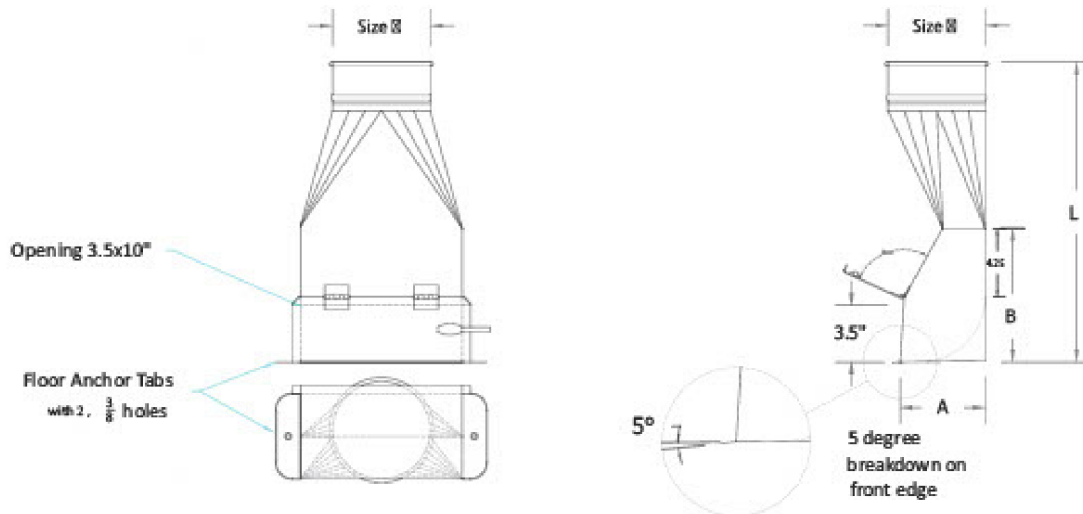
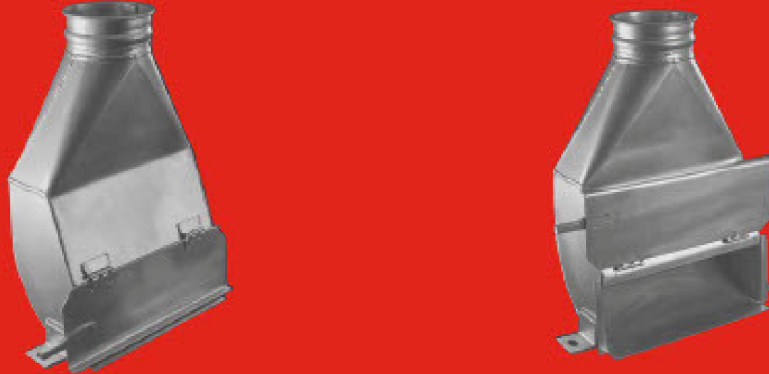




## Floor Sweeps

Our floor sweeps remove debris from the shop floor where clean up is needed. The double-hinged door is held closed by the vacuum of the system and when opened, allows for debris to enter the system. Our floor sweeps come standard with rolled-lip ends that attach easily to our clamp together duct system. Flanged and US Tubing connection ends are also available.



Size $\phi$	Opening	A	B	L
3	3.5 x 10"	5.25	8.25	18.5
4	3.5 x 10"	5.25	8.25	18.5
5	3.5 x 10"	5.25	8.25	18.5
6	3.5 x 10"	5.25	8.25	18.5
7	3.5 x 10"	5.25	8.25	18.5
8	3.5 x 10"	5.25	8.25	18.5
9	3.5 x 10"	5.25	8.25	18.5
10	3.5 x 10"	5.25	8.25	18.5