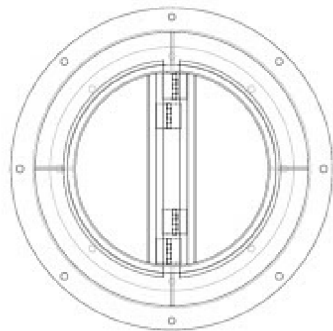


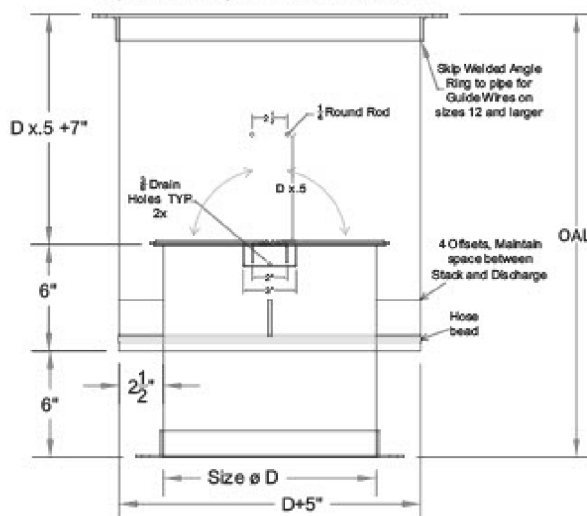


## Flap Exhaust Valve

A resourceful after-the-fan product, flap exhaust valves, or stacks, are designed to open, like bird wings, with the airflow and close when the system is not exhausting. The lightweight and balanced blades produce minimal resistance to exhaust.



On 8"-11" will NOT have Angle Rings on the top and will only have a hose bead there



Size $\phi$	D $\phi \times .5 + 7"$	OAL	Top FI Size
8"	11	23	13
9"	11.5	23.5	14
10"	12	24	15
11"	12.5	24.5	16
12"	13	25	17
13"	13.5	25.5	18
14"	14	26	19
15"	14.5	26.5	20
16"	15	27	21
17"	15.5	27.5	22
18"	16	28	23
19"	16.5	28.5	24
20"	17	29	25
22"	18	30	27
24"	19	31	29