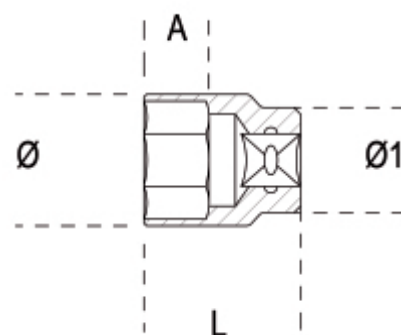


**928AS**
**chiavi a bussola con attacco quadro femmina 3/4" bocca esagonale, cromate**



art.	art.	"	Ø mm	L mm	Ø1 mm	A mm	g
009280202	928AS 7/8	7/8	32,0	53	34	14,0	207
009280203	928AS 15/16	15/16	34,5	53	34	16,0	214
009280204	928AS 1	1	36,2	55	35	16,0	250
009280205	928AS 1.1/16	1.1/16	38,0	56	35	18,0	241
009280206	928AS 1.1/8	1.1/8	40,2	58	35	20,0	254
009280208	928AS 1.1/4	1.1/4	44,2	60	37	22,0	325
009280209	928AS 1.5/16	1.5/16	45,8	60	37	24,0	323
009280210	928AS 1.3/8	1.3/8	48,1	62	38	25,0	433
009280211	928AS 1.7/16	1.7/16	49,5	64	38	26,0	400
009280212	928AS 1.1/2	1.1/2	52,0	68	40	27,0	553
009280214	928AS 1.5/8	1.5/8	56,0	71	40	29,0	667
009280215	928AS 1.11/16	1.11/16	58,8	74	40	29,0	738
009280217	928AS 1.13/16	1.13/16	62,3	75	43	32,0	802
009280218	928AS 1.7/8	1.7/8	65,0	78	43	32,0	875
009280219	928AS 2	2	68,3	80	43	35,0	989
009280220	928AS 2.1/16	2.1/16	71,5	83	48	38,0	1022