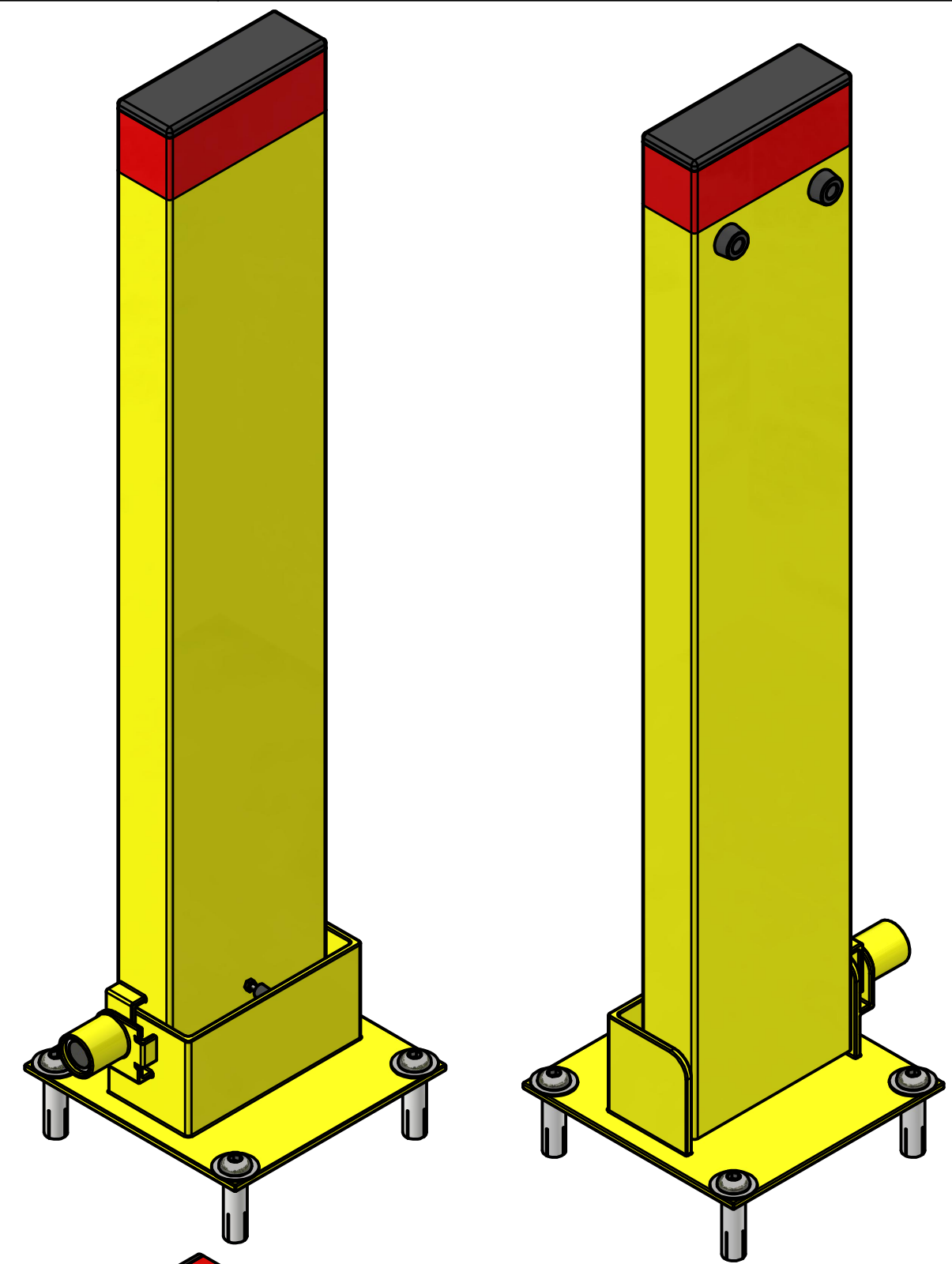
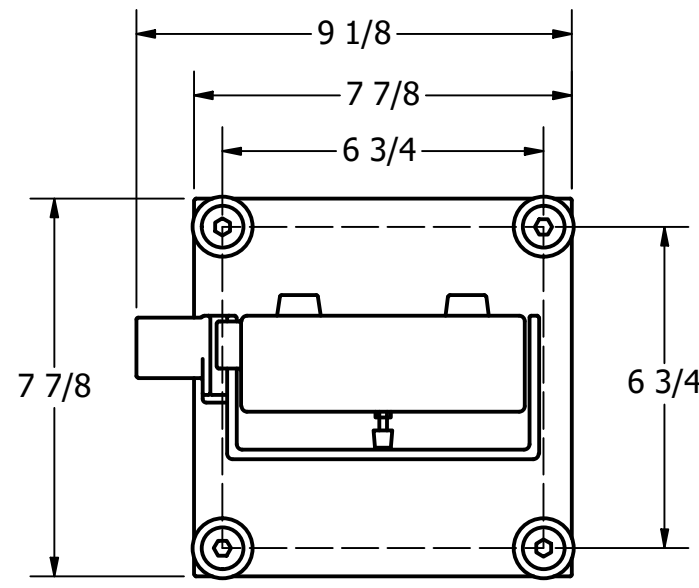
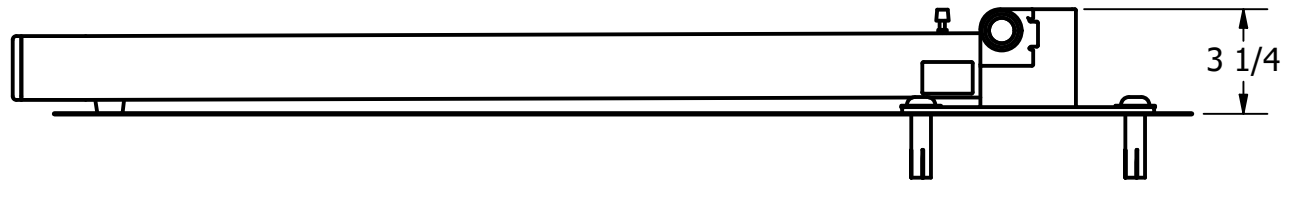
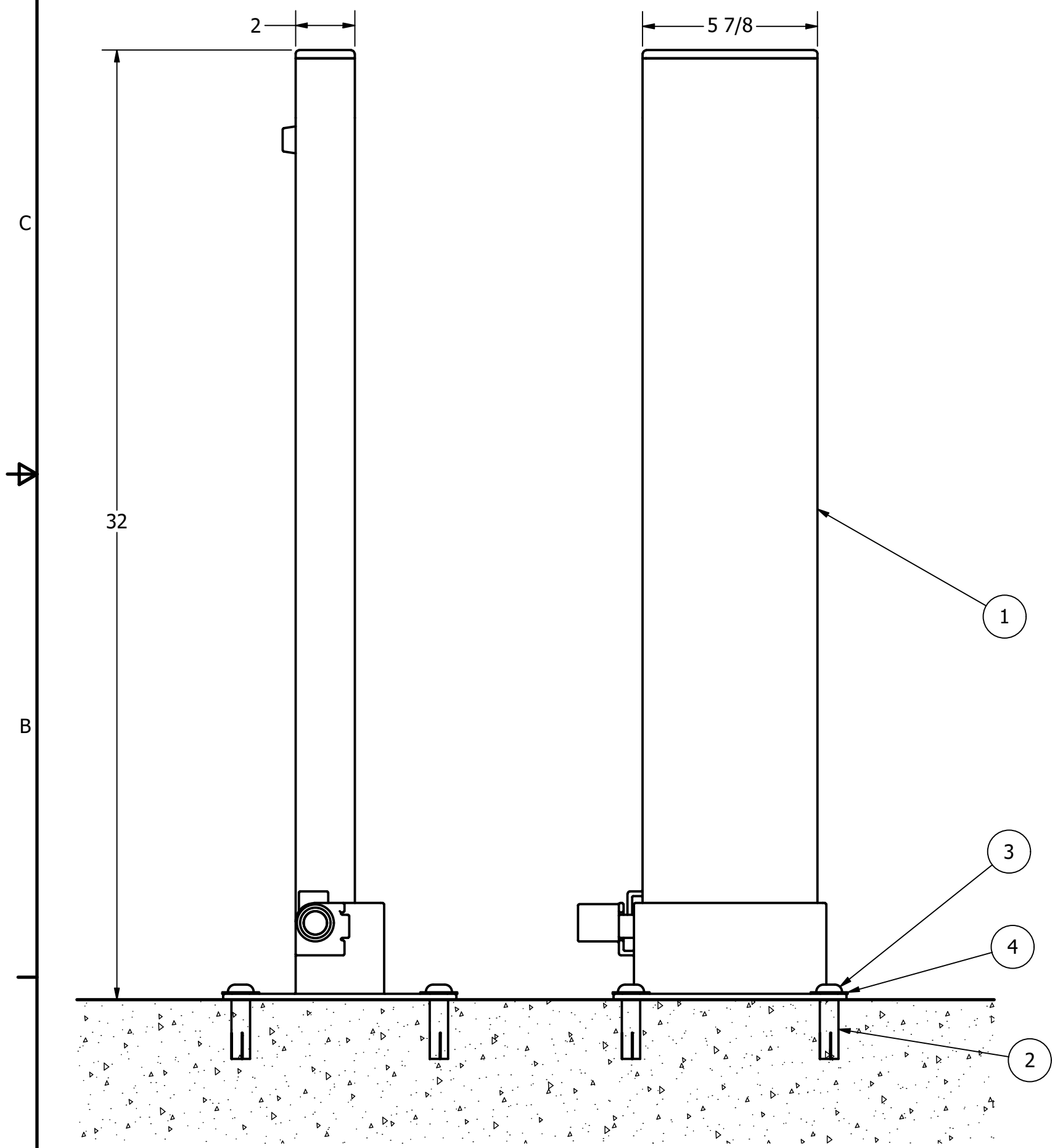


Rectangular Fold Down Bollard R-8431



Folded down Position



General Description:

R-8431 fold-down bollards are ideal for mixed-use areas as they can be locked upright to provide a highly visible barrier, yet can be quickly collapsed to offer access when necessary. With a thin rectangular silhouette, the R-8431 offers low-profile clearance when collapsed. R-8431 collapsible bollards include internal locking mechanisms with no additional hardware required. Fold-down mountings can be conveniently surface mounted to existing concrete surfaces.

For more information on bollard post installation, please visit: www.reliance-foundry.com/bollard/installation-bollards

Specifications:

- Height: 32" (Above Grade)
- Base: 7 7/8" x 7 7/8"
- Weight: 19 lbs
- Material: Carbon Steel
- Finish: Galvanized and Powder Coated to Yellow RAL 1007

Notes:

1. Embedment details are for reference illustration only. Minimum foundation sizes depend on local soil and weather conditions as well as engineering requirements.
2. This drawing is not drawn to scale. Dimensions provided herein are for reference only. Please consult Reliance Foundry sales professionals if any dimension is critical to your particular installation.
3. Reliance Foundry reserves the right to amend design and specifications without prior notice for product improvement.

PARTS LIST			
ITEM	QTY	PART NUMBER	DESCRIPTION
1	1	R8431	Rectangular Yellow Fold Down Bollard
2	4	Drop-in Concrete Insert 1/2"	Drop-in Concrete Insert 1/2"
3	4	Button Head Bolt 1/2" x 1 1/4"	Hexagon Socket Button Head Cap Bolt 1/2" x 1 1/4"
4	4	Stainless Steel Washer 1/2"	Stainless Steel Washer 1/2" OD 1 1/4" Thick .05"

RELIANCE FOUNDRY
SINCE 1925

Unit 207, 6450 - 148 Street, Surrey, BC V3S 7G7, Canada
1-877-789-3245 info@reliance-foundry.com
www.reliance-foundry.com

TITLE			
Rectangular Fold Down Bollard R-8431			
SIZE	DWG NO	REV	
C	R8431_public	A04	
NOT TO SCALE		SHEET 1 OF 1	