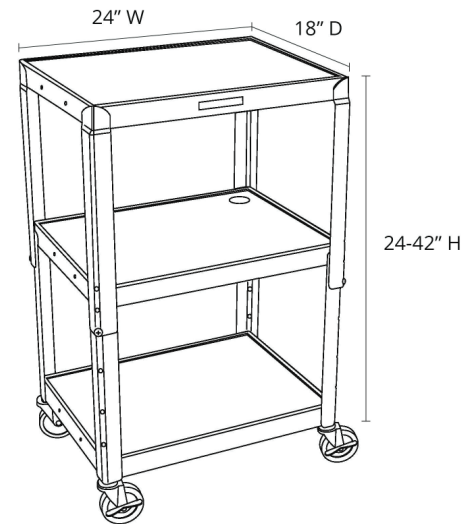


# UCMT1

## Adjustable Height Steel Utility Cart

### Product Specifications

Item Number	UCMT1
Material	Powder-Coated Steel
Color	Black, Red, Yellow, or Blue
Cart Dimensions	24"W x 18"D x 24-42"H
Weight	52 lbs.
Distance Between Shelves	Lower to Middle: 14.75" Middle to Top: Adjustable, 0.5" - 16"
Retaining Lip	Yes; 0.25"
Safety Mats	Yes
Grommet Holes	Two; one each on middle and top shelf
Casters (4)	4" silent roll, swivel, ball-bearing; two with locking brakes
Power	Three-outlet power strip; UL/CSA Listed
Voltage	120V/15A
Cord Length	15'
Weight Capacity	300 lbs. total (100 lbs. per shelf, evenly distributed)
Made in USA	Yes
Shipping Method	Ground
Shipping Carton Dimensions	25" W x 19" D x 22" H
Shipping Weight	59.4 lbs.
Assembly Required	Yes



**Total Weight Capacity (Evenly Distributed):** 300 lbs.  
**Weight Capacity Per Shelf:** 100 lbs.

**To Order, Call Your  
Sales Representative  
or 800-323-4656**