

NPP-4840-FP-E60D

48x40 (Standard) Plastic Industrial Pallet



Technical Data

Dimensions 48x40x6.1 inches (1219x1016x155 mm)
Weight 34.0 lbs

Load Capacities

Static 8800 lbs
Dynamic 4400 lbs
Racking 2200 lbs

Entry 4-way
Pallets per Stack 17
Truckload Qty 510

Available in Truckload or LTL quantities. Minimum quantity required. We reserve the right to change any stated information without prior notice. Not responsible for typographical errors.

Materials and Colors

Condition
New

Material
HDPP
(Recycled)

Color
Black (custom colors
available)

Deck Specs

Top Deck
Open

Bottom Deck
6 Runner - Perimeter+2 Cross
(cruciform perimeter base)

Available Options:
RFID Transponders
Individual Markings
Anti-Slip Bottom Grommets
FDA Version with Freezer Additives
Rod Inserts for Increased Performance.

Handling Data

Nestable No
Reusability Multi-Trip
ISPM-15 Exempt Yes

Stackable Yes
Destination Captive
Food Grade Yes, non-FDA

Rackable Yes
Airfreight Yes
Pharmaceutical Yes

Features

Ideal for closed loops or distribution chains across industry sectors including Electronics, Food, Retail, Medical and Pharmaceutical.

- High performance at low cost
- Top Safety Rim (raised lip)
- Open deck flow-thru design
- Allows for safe double stacking
- Easy-to-clean hygienic design
- Suitable for packaged food items
(not approved for direct food contact)
- Impervious to acids, fats, solvents and odors
- Resists water absorption & bacteria growth
- Inert to infestation, mold and mildew
- Consistently dimensionally accurate
- Exempt from ISPM 15 shipping regulations



Spec Sheet Generated On: 1/17/2023
Specifications subject to change without notice.
Contents of this document are presented for general informational purposes only. Technical data are guideline values based on experience and tests under defined conditions. The data may vary based on intended use, product features, raw materials used and environmental influences. Nothing in this document shall be construed as warranties or guarantees, express or implied, regarding the products or their use, application, performance or otherwise.

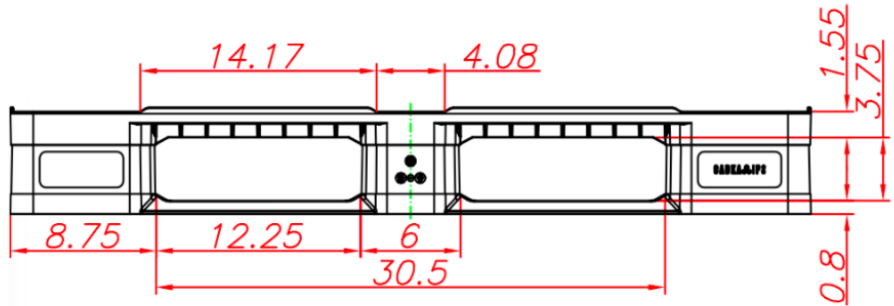
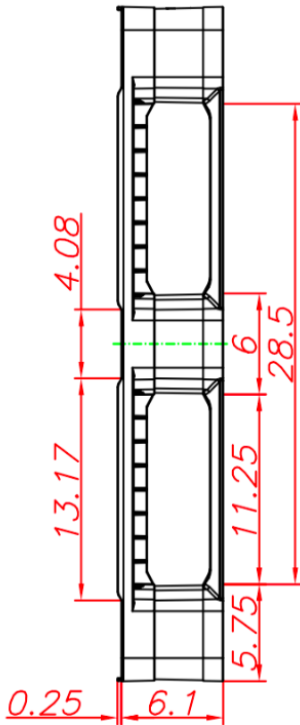
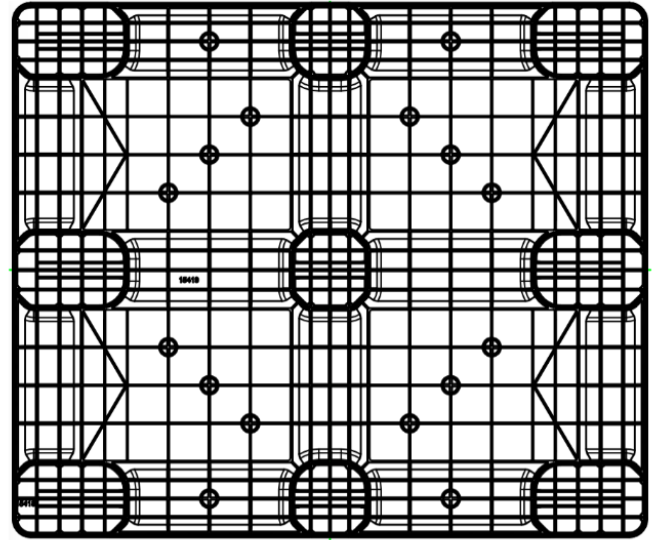
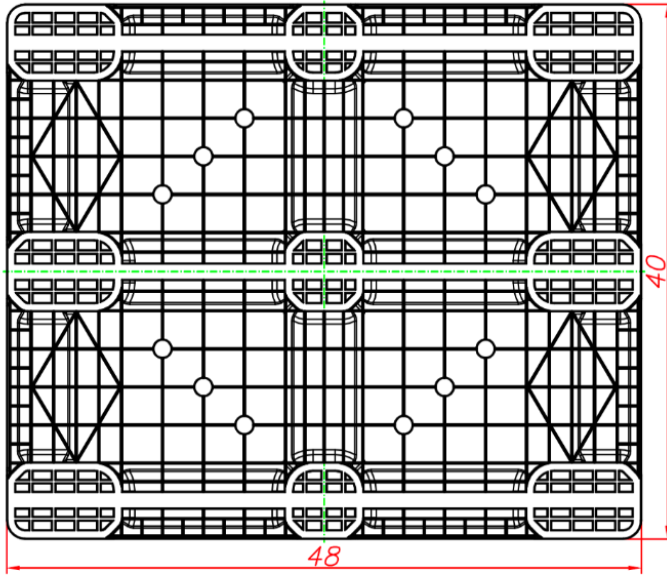
Presented By:
Source 4 Industries Sales
702-734-8848
4436 Lawrence St., Ste. A/B
North Las Vegas, NV 89081

NPP-4840-FP-E60D

48x40 (Standard)
Plastic Industrial Pallet



Technical Drawings



Tech Sheet Generated On: 1/17/2023
Specifications subject to change without notice.
Contents of this document are presented for general informational purposes only. Technical data are guideline values based on experience and tests under defined conditions. The data may vary based on intended use, product features, raw materials used and environmental influences. Nothing in this document shall be construed as warranties or guarantees, express or implied, regarding the products or their use, application, performance or otherwise.

Presented By:
Source 4 Industries Sales
702-734-8848
4436 Lawrence St., Ste. A/B
North Las Vegas, NV 89081