



**Encore Commercial Products, Inc.**  
 37525 Interchange Dr., Farmington Hills, MI 48335  
 Toll Free 1- 866 -737- 8900 Fax 248-354-4095  
[www.postguard.com](http://www.postguard.com)

Title: Slow Stop 3"

Drawing Number: SS3

**Recommended Use:**

Mandatory Concrete  
 Installation

**Specifications:**

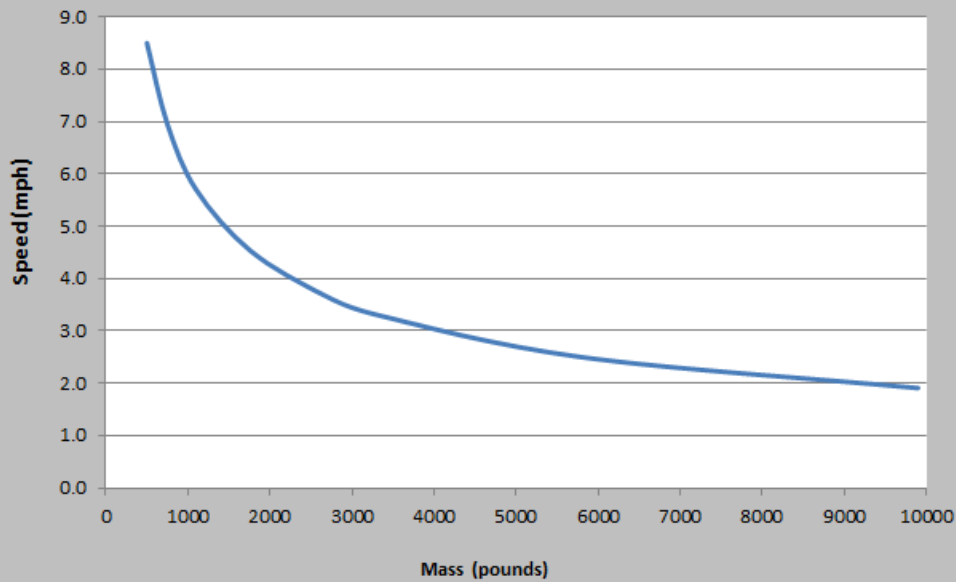
See Below

Date: 3-15-17

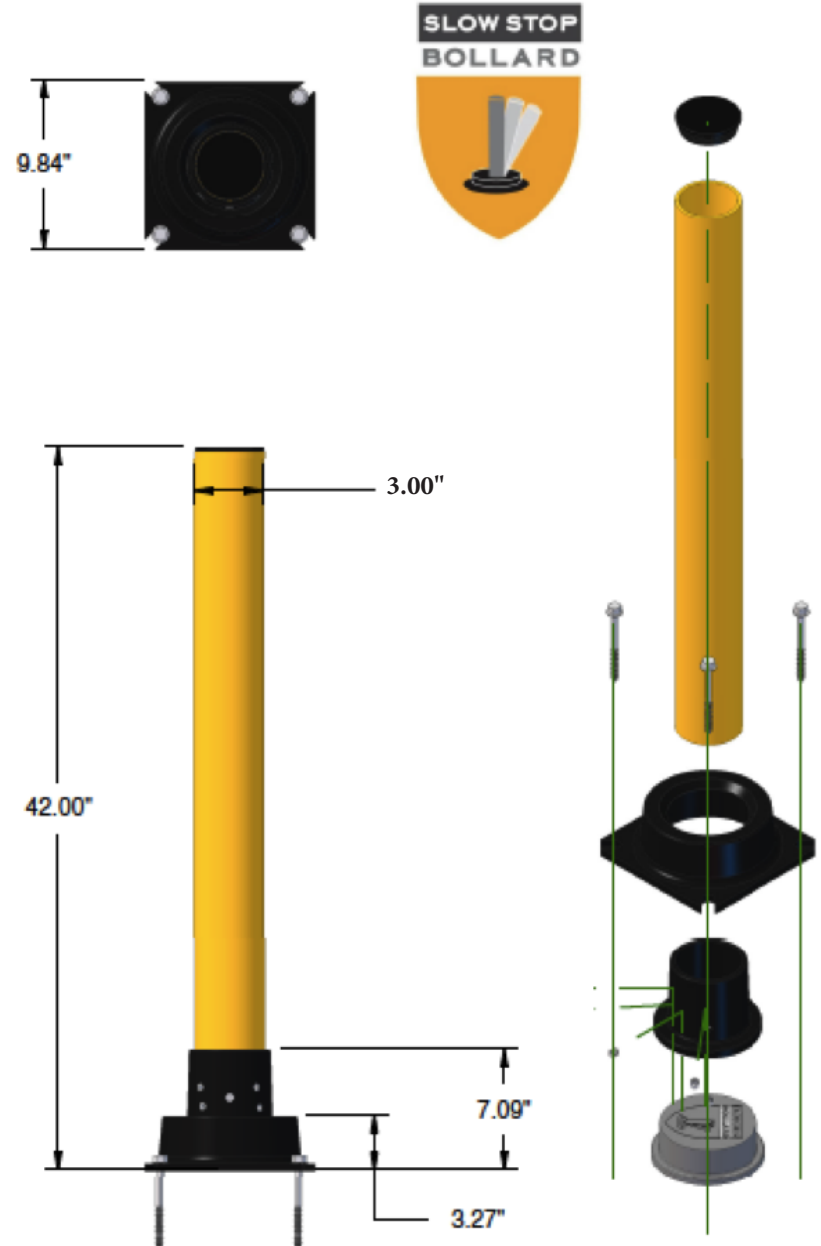
Size: 3"x42"

Page: 1 of 1

**3" Bollard Mass vs. Speed @ 20"**



- Color: Yellow Bollard Black Base
  - Diameter: 3" (3.5" ANSI Schedule 40)
  - Height: 42"
  - Set Screws: 5M16x2 8mm Hex
  - Cap: Black Plastic
  - Energy Absorption: 2,667 joules / 1,967 ft-lb
  - Temperature Rating: -40 degree
  - Pipe Coating: 150 µm Polyester Outdoor Powder Coat
  - Cast Iron Coating: Environmentally Friendly Water Based KTL Coating
- Installs with four (4) 5/8" x 5-1/2" Concrete Screw Anchors





**Encore Commercial Products, Inc.**  
 37525 Interchange Dr., Farmington Hills, MI 48335  
 Toll Free 1- 866 -737- 8900 Fax 248-354-4095  
[www.postguard.com](http://www.postguard.com)

Title: Slow Stop 4"

Drawing Number: SS4

**Recommended Use:**

Mandatory Concrete  
 Installation

**Specifications:**

See Below

Date: 3-15-17

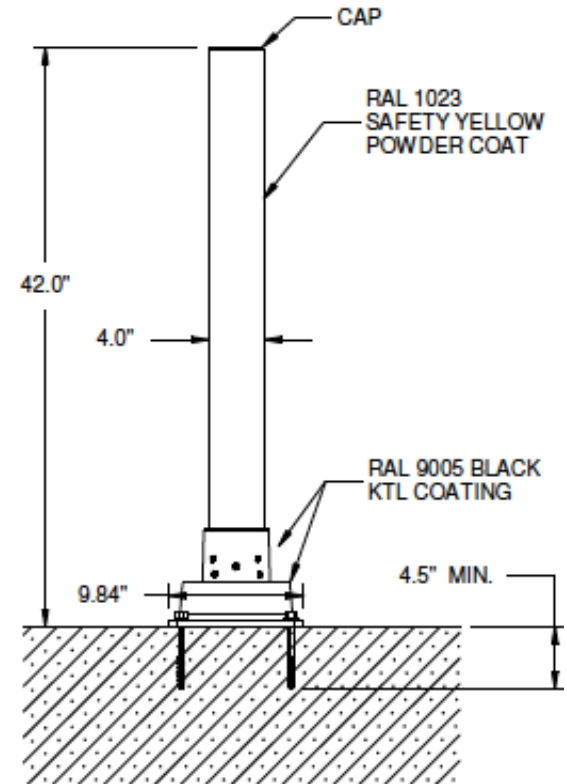
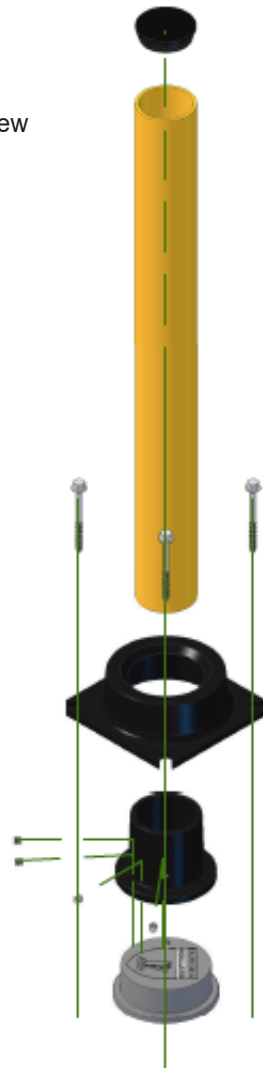
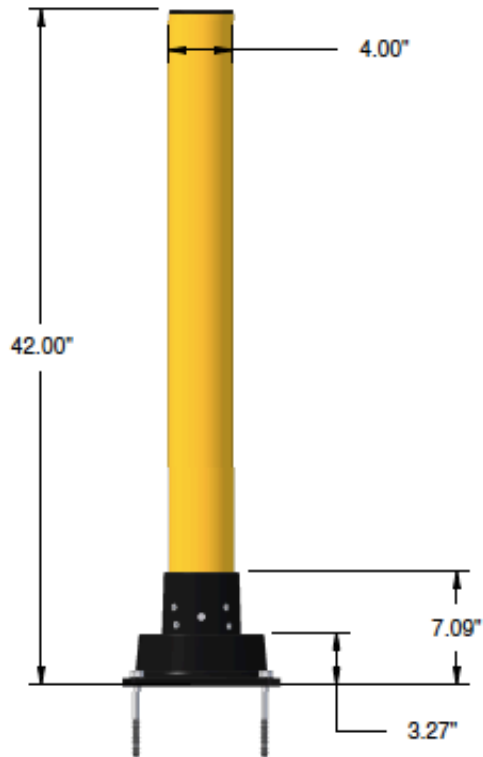
Size: 4"x42"

Page: 1 of 1



Color: Yellow Bollard Black Base  
 Diameter: 4"  
 Height: 42"  
 Cap: Black Plastic

Installs with four (4) 5/8" x 5-1/2" Concrete Screw  
 Anchors



\* MINIMUM FOUNDATION DEPENDS ON LOCAL  
 SOIL CONDITIONS, WEATHER & ENG. REQTS



**Encore Commercial Products, Inc.**  
 37525 Interchange Dr., Farmington Hills, MI 48335  
 Toll Free 1- 866 -737- 8900 Fax 248-354-4095  
[www.postguard.com](http://www.postguard.com)

Title: Slow Stop 5"

Drawing Number: SS5

**Recommended Use:**

Mandatory Concrete  
 Installation

**Specifications:**

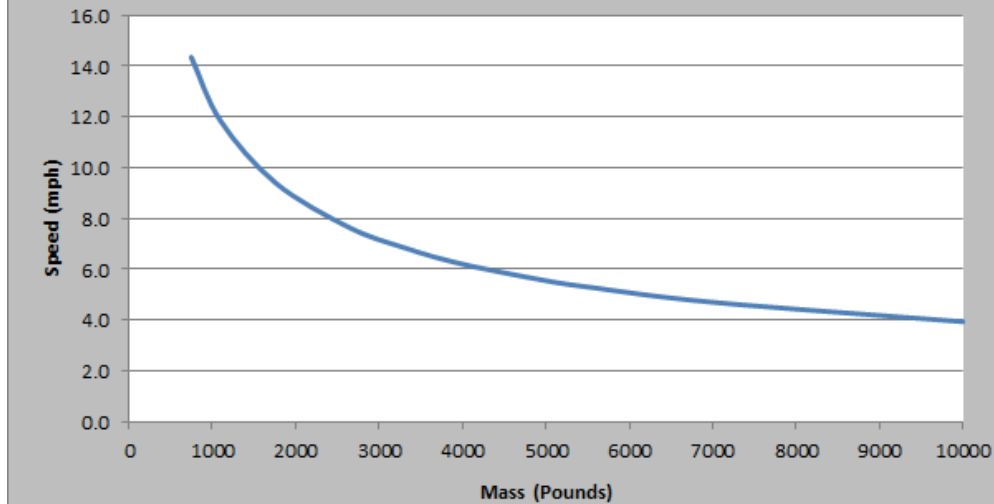
See Below

Date: 3-15-17

Size: 5"x42"

Page: 1 of 1

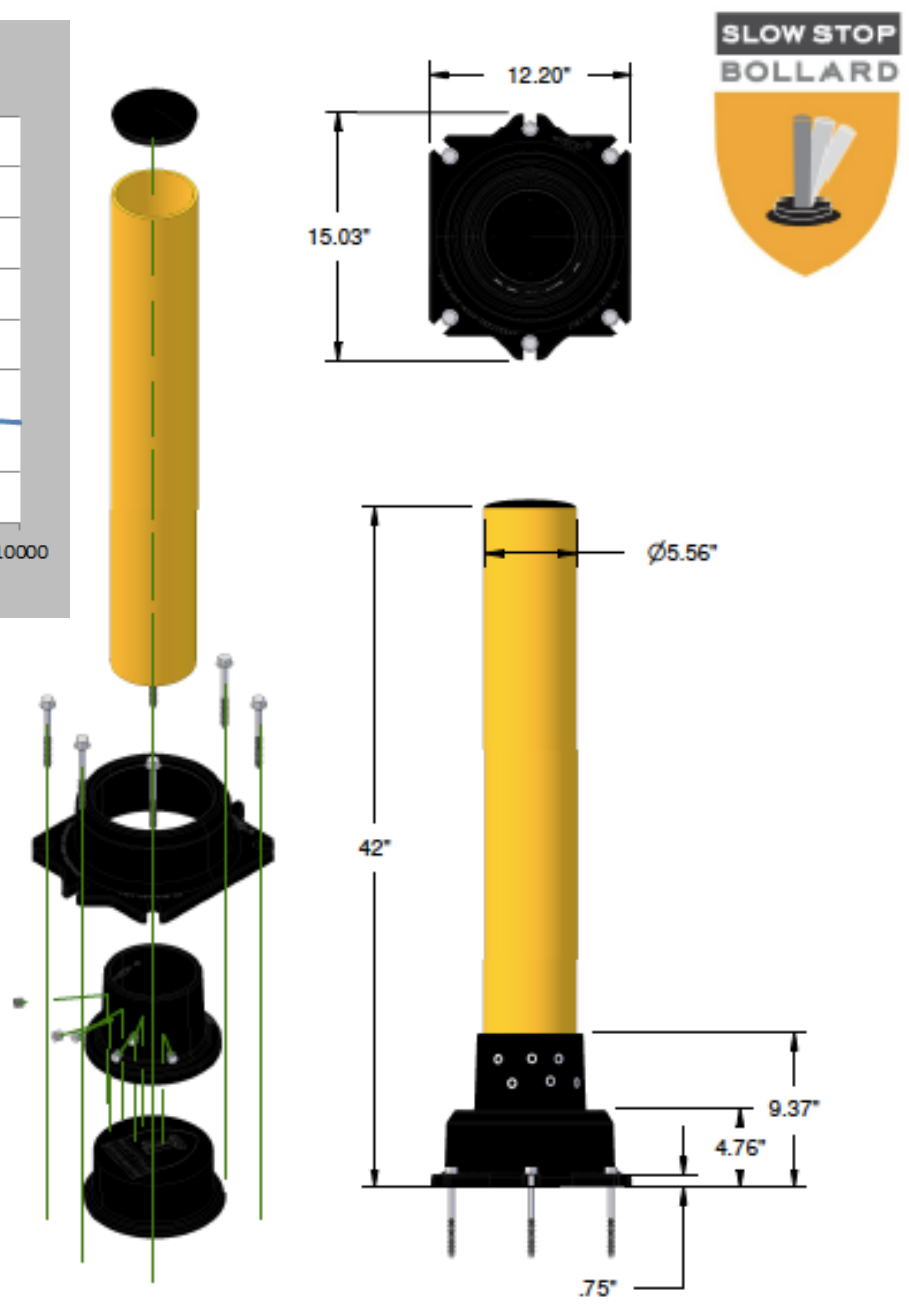
**5" Bollard Mass vs. Speed**



**SPECIFICATIONS**

- Energy Absorption: 7,000 joules / 5,163 ft-lb.
- Impact Force: 9,429 pounds @ 36" height
- Temperature Rating: -40°
- Pipe Coating: 60µm Hot Dipped Galvanized +  
 60µm Polyester Outdoor Powder Coat
- Cast Iron Coating: Environmentally Friendly Water-Based KTL Coating + Powder Coat CSI Rated

Color: Yellow Bollard Black Base  
 Diameter: 5.56"  
 Height: 42"  
 Cap: Black Plastic  
 Installs with six (6) 5/8" x 5-1/2" Concrete Screw Anchors





**Encore Commercial Products, Inc.**  
 37525 Interchange Dr., Farmington Hills, MI 48335  
 Toll Free 1- 866 -737- 8900 Fax 248-354-4095  
[www.postguard.com](http://www.postguard.com)

Title: SlowStop 6"

Drawing Number: SS6

**Recommended Use:**

Mandatory Concrete  
 Installation

**Specifications:**

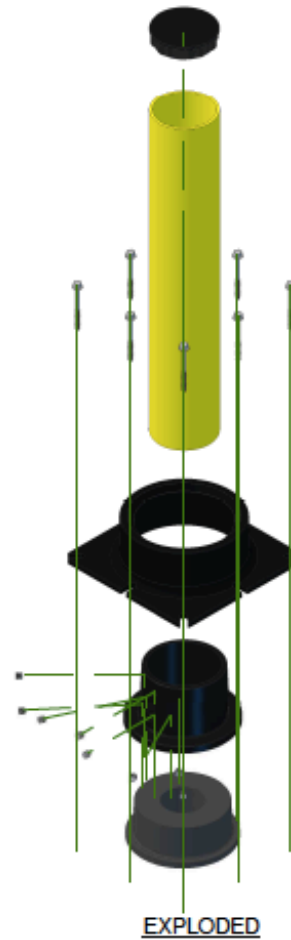
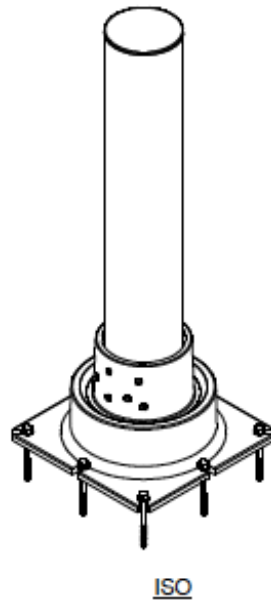
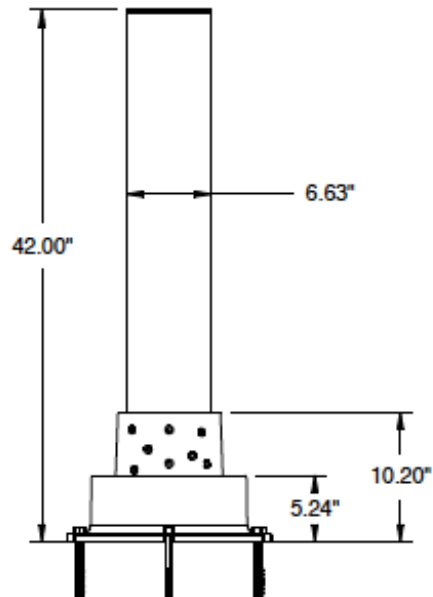
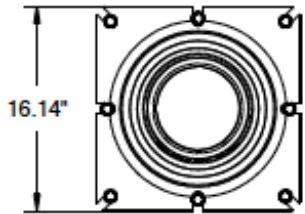
See Below

Date: 3-15-17

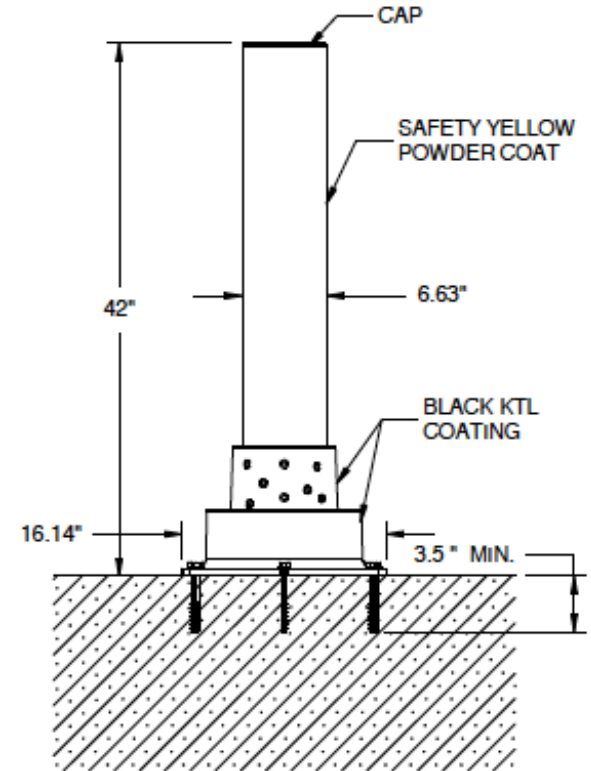
Size: 6"x42"

Page: 1 of 1

Color: Yellow Bollard Black Base  
 Diameter: 6.63"  
 Height: 42"  
 Cap: Black Plastic  
 Installs with eight (8) 5/8" x 5-1/2" Concrete  
 Screw Anchors



**DETAIL**



\* MINIMUM FOUNDATION DEPENDS ON LOCAL  
 SOIL CONDITIONS, WEATHER & ENG. REQTS