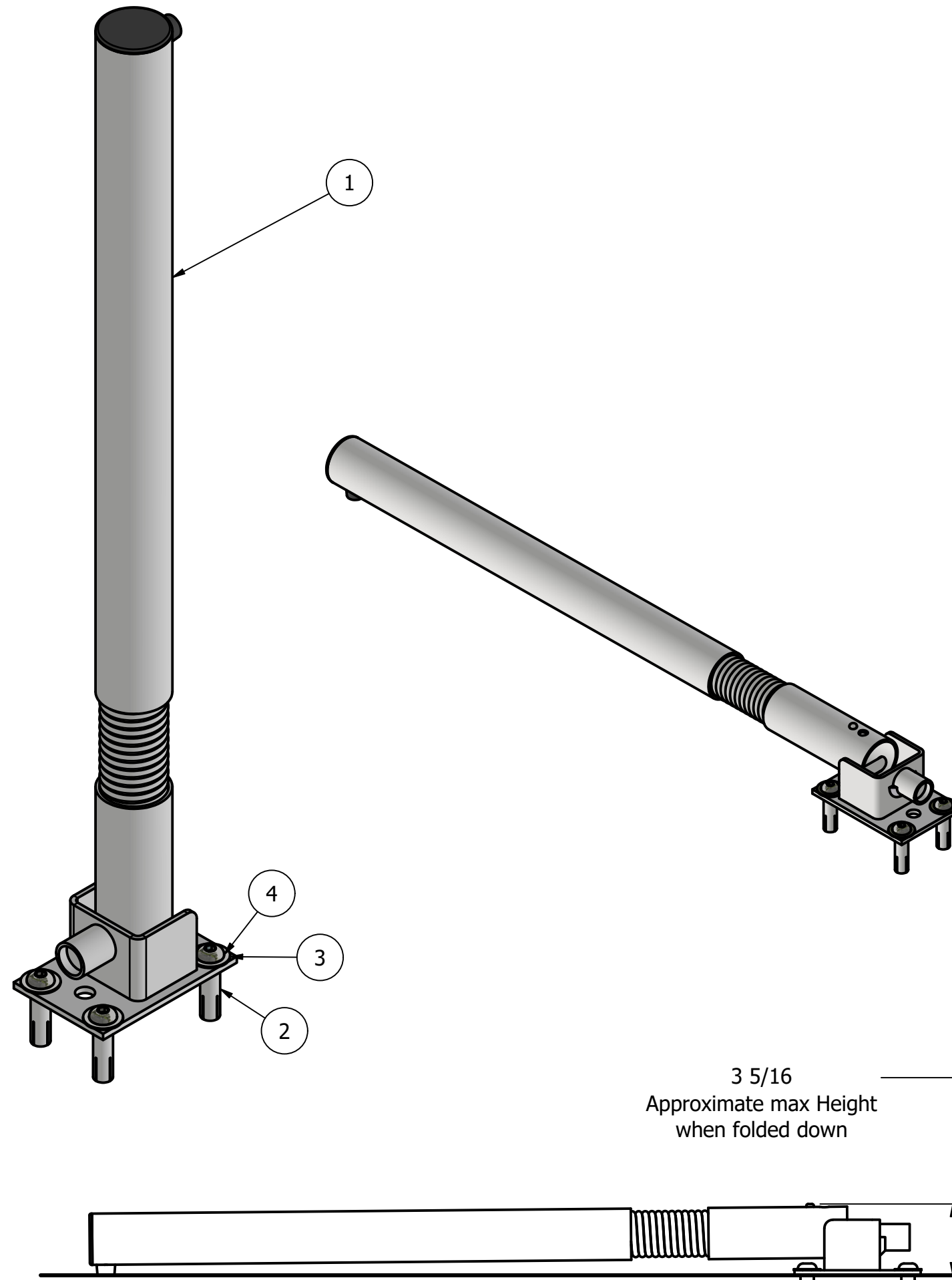
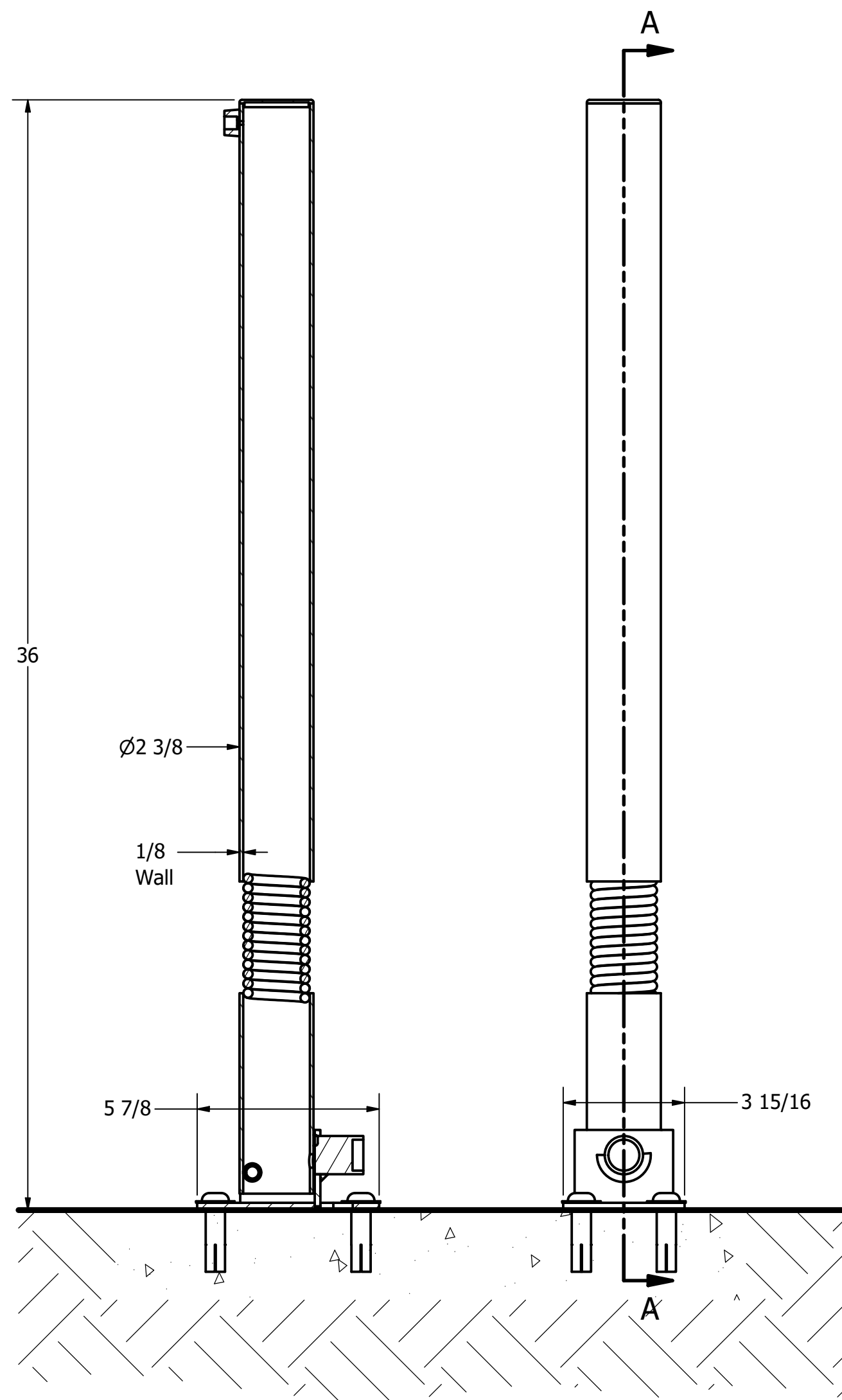


# R-8433 Spring Fold Down Bollard

Number of keys included: 2



## General Description:

The R-8433 is a dual-function stainless steel bollard from our Rebound series with a folding mechanism that allows it to be quickly collapsed when needed, along with a spring system that provides controlled movement on impact. The R-8433's internal locking mechanism requires no additional hardware to fold down; just turn the key to fold it down smoothly and securely to ground level.

For more information on bollard post installation, please visit: [www.reliance-foundry.com/bollard/installation-bollards](http://www.reliance-foundry.com/bollard/installation-bollards)

## Specifications:

Height: 36"

Body Diameter: 2 3/8"

Base Dimensions: 5 7/8" x 3 15/16"

Weight: 12 1/2 lbs

Material: Stainless Steel 316

Finish: Satin Surface Finish Buffed No. 6

## Notes:

- Embedment details are for reference illustration only. Minimum foundation sizes depend on local soil conditions, weather conditions, and engineering requirements.
- Bollard is provided as shown, with parts listed below. Concrete foundation and/or installation not provided by Reliance Foundry.
- This drawing is not drawn to scale. Dimensions provided herein is for reference only. Please consult Reliance Foundry sales professionals if any dimension is critical to your particular installation.
- Reliance Foundry reserves the right to amend design and specifications without prior notice for product improvement.

PARTS LIST					
ITEM	QTY	PART NUMBER	DESCRIPTION	MATERIAL	WEIGHT
1	1	R-8433	Spring Fold Down Bollard	Stainless Steel	12 1/2 lbs
2	4	Drop-in Concrete Insert 1/2"	Drop-in Concrete Insert 1/2" - requires 5/8" x 2" hole (dia. x depth)	Steel Plated	1/8 lbs
3	4	Stainless Steel Washer 1/2"	Stainless Steel Washer 1/2" OD 1 1/4" Thick .05"	Stainless Steel	
4	4	Button Head Bolt 1/2" x 1 1/4"	Hexagon Socket Button Head Cap Bolt 1/2" x 1 1/4" - requires 5/16" hex key	Stainless Steel	1/8 lbs

**RELIANCE FOUNDRY**  
SINCE 1925

Unit 207, 6450 - 148 Street, Surrey, BC V3S 7G7, Canada  
1-877-789-3245 info@reliance-foundry.com  
[www.reliance-foundry.com](http://www.reliance-foundry.com)

TITLE  
**R-8433 Spring Fold Down Bollard**

SIZE: C DWG NO: R-8433\_public REV: A03