

Halvard C40-R Crash-Rated Bollard



General Description:

Reliance Foundry's Halvard C40-R Removable Crash-Rated Bollard is designed to keep pedestrians and property safe in the case of a collision. Halvard bollards are proudly engineered in Canada and certified in American testing facilities to meet the ASTM F2656-20 SC40 P1 standard; a single bollard is capable of stopping a 2,430-pound vehicle traveling at 40 mph with less than 3.3 feet of penetration.

The Halvard C40-R is removable to provide vehicle access when needed. To remove the bollard, insert a lifting handle through the top, and lift the bollard out of the receiver using a forklift or other equipment.

For more information on bollard post installation, please visit: www.reliance-foundry.com/bollard/installation-bollards

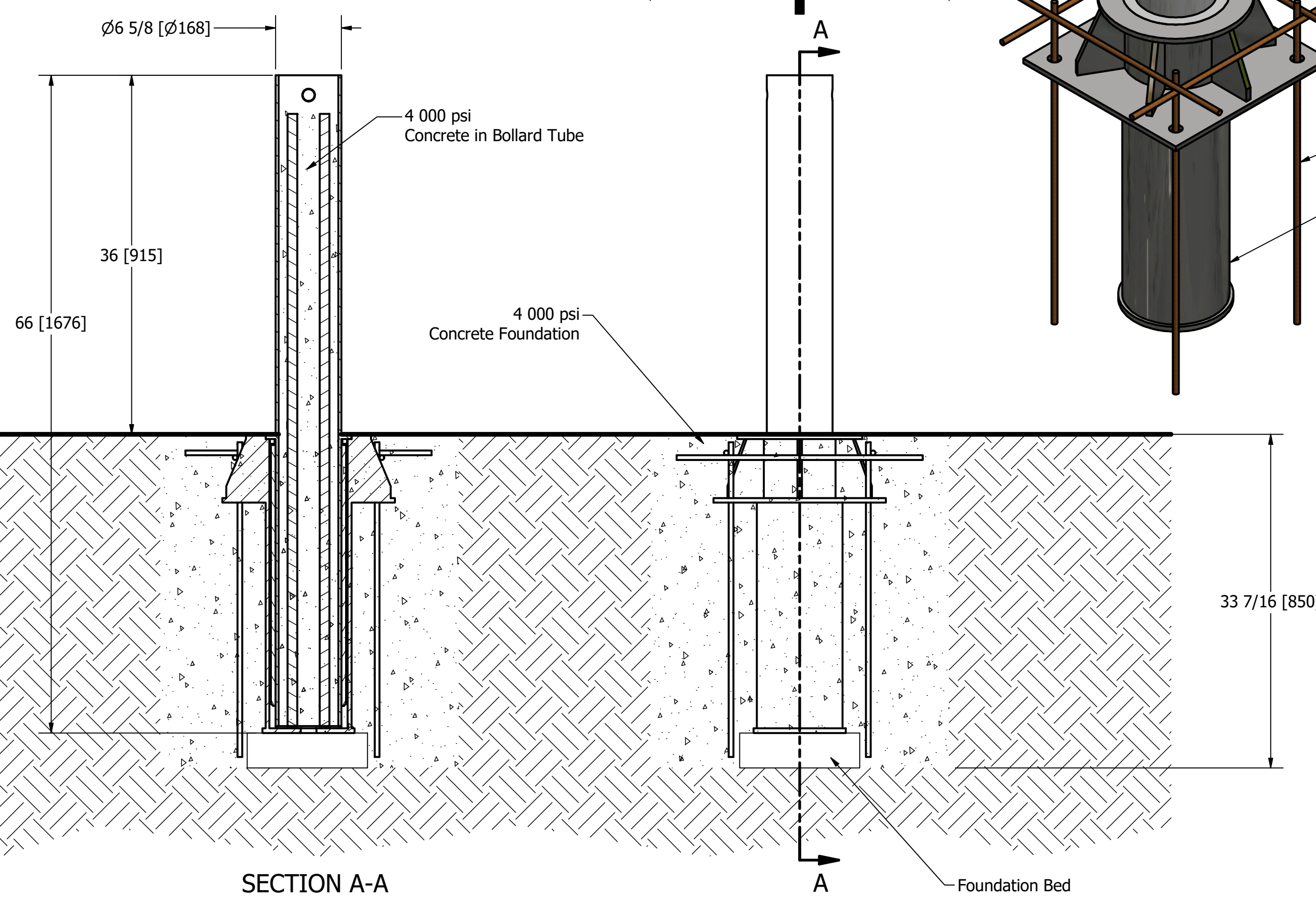
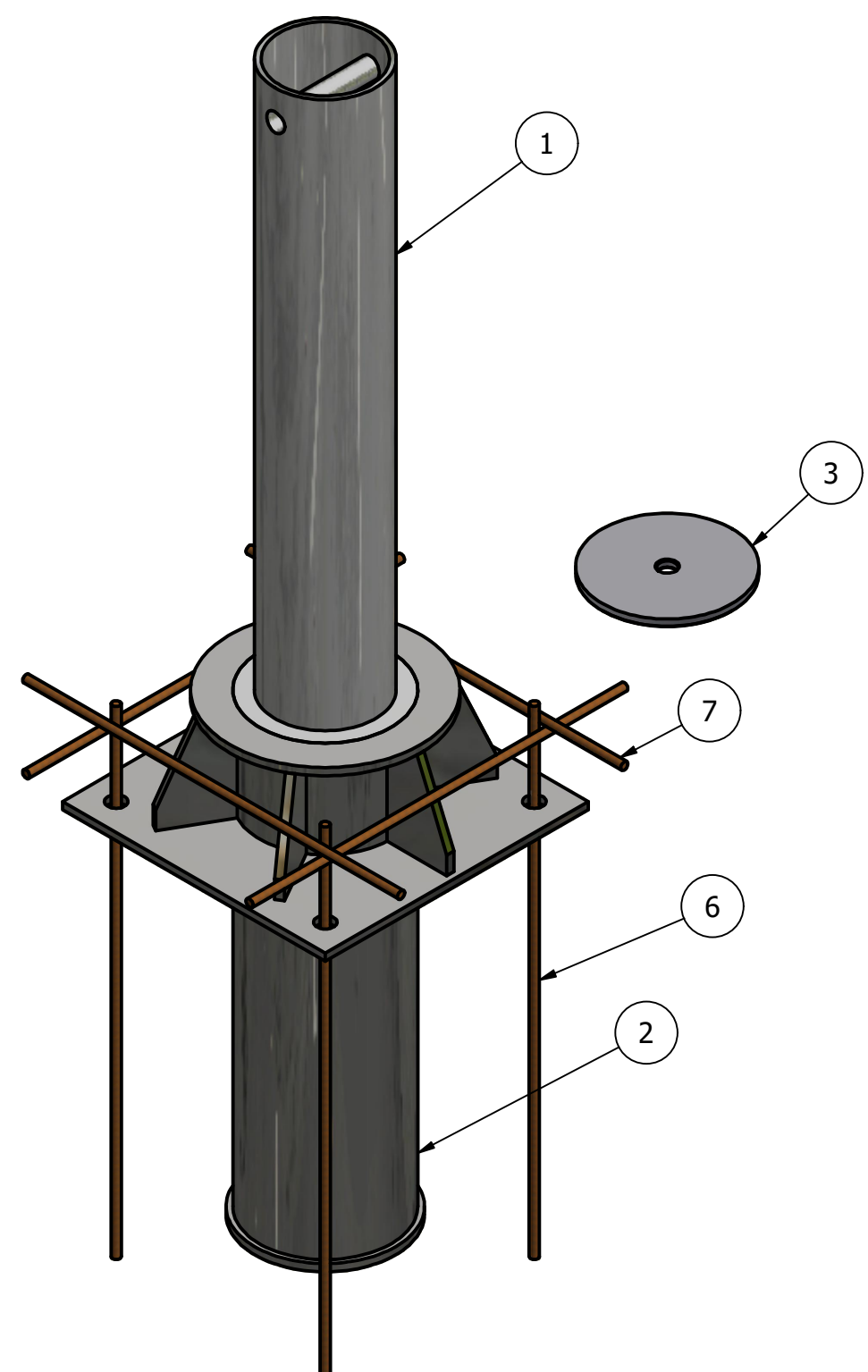
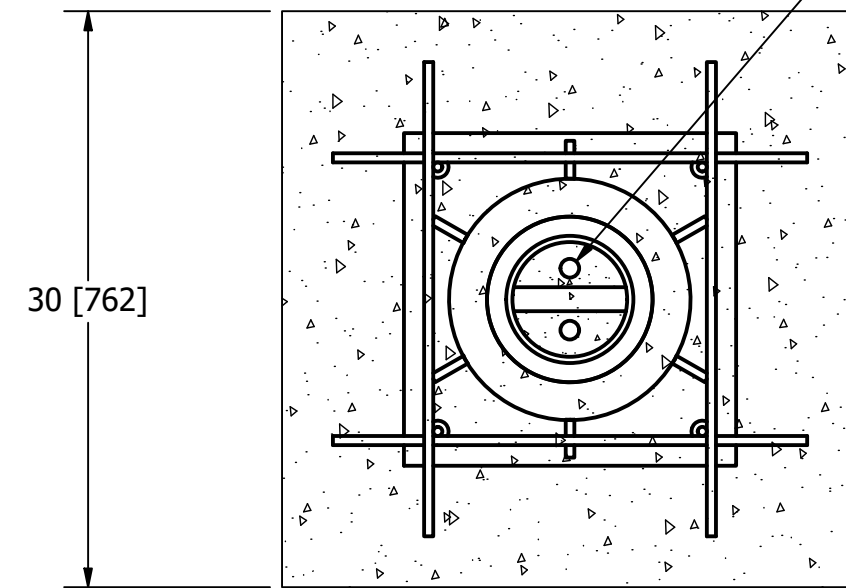
Specifications:

Height: 36"

Body Diameter: 6 5/8"

Bollard Weight: 146 lbs

Material: Steel



SECTION A-A

Notes:

- Embedment details are for reference illustration only. Minimum foundation sizes depend on local soil conditions, weather conditions, and engineering requirements.
- Bollard is provided as shown, with parts listed below. Concrete foundation and/or installation not provided by Reliance Foundry.
- This drawing is not drawn to scale. Dimensions provided herein is for reference only. Please consult Reliance Foundry sales professionals if any dimension is critical to your particular installation.
- Reliance Foundry reserves the right to amend design and specifications without prior notice for product improvement.

PARTS LIST

ITEM	QTY	PART NUMBER	DESCRIPTION
1	1	R-1040-C40-R	Removable Crash Rated Bollard, C40
2	1	R-1040-C40-R-Rec	Removable Crash Rated Bollard Receiver, C40
3	1	R-1040-C40-R-C	Removable Crash Rated Bollard Cover, C40 (optional)
4	2	Rebar	#8 Steel Rebar 64 in Long (Included with Bollard)
5	4	Rebar	#4 Steel Rebar 32 in Long (Not Included)
6	4	Rebar	#4 Steel Rebar 25 in Long (Not Included)

RELIANCE FOUNDRY
SINCE 1925

Unit 207, 6450 - 148 Street, Surrey, BC V3S 7G7, Canada
1-877-789-3245 info@reliance-foundry.com
www.reliance-foundry.com

TITLE
Halvard C40-R Crash-Rated Bollard

SIZE C	DWG NO R-1040-C40-R_public	REV A03
------------------	--------------------------------------	-------------------