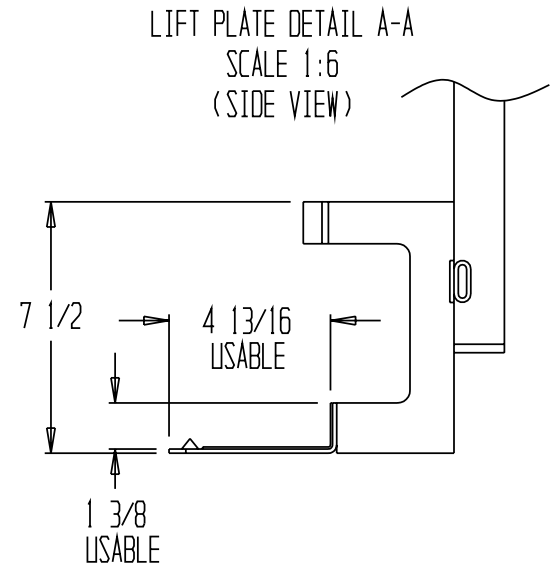
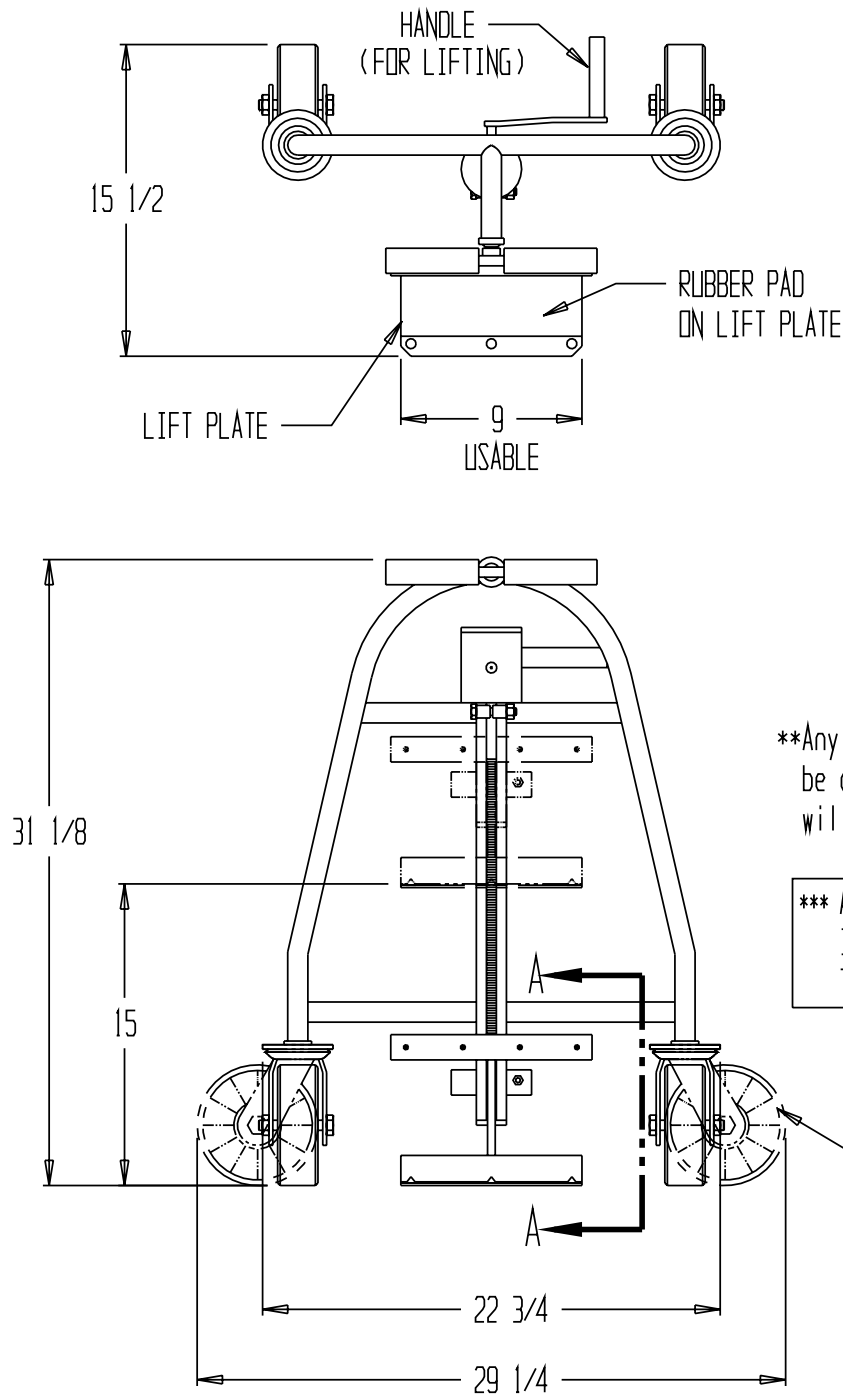


FURNITURE & CRATE MOVER, MFM-1300

**SPECIAL UNITS ARE NON-RETURNABLE
*AVAILABLE AT ADDITIONAL COSTS



Any additions, deletions or omissions must be corrected on this drawing, as this drawing will be considered all inclusive.

*** ALL GRAPHICS PROVIDED ARE FOR REFERENCE ONLY. IF CERTAIN DIMENSIONS ARE CRITICAL PLEASE VERIFY THOSE DIMENSIONS WITH YOUR SALESPERSON. ***

6" POLY-ON-STEEL SWIVEL CASTERS

LEAD TIME WILL START UPON RECEIPT OF SIGNED APPROVAL DRAWING

STANDARD FEATURES

- MODEL NUMBER: MFM-1300
- CAPACITY: 1,300 LBS. PER PAIR
- OVERALL WIDTH: 29 1/4"
- OVERALL DEPTH: 15 1/2"
- OVERALL HEIGHT: 31 1/8"
- USABLE LIFT PLATE: 9" W x 4 13/16" LG. X 1 3/8" H
- LIFTING HEIGHT: 15" MAX.
- LIFTING STYLE: MECHANICAL
- 1" NYLON STRAP INCLUDED (NOT SHOWN)

SPECIAL FEATURES

NONE

APPROVAL

I, the undersigned, hereby approve this print
 As drawn As marked
 This includes my approval of design & dimensions.
 Signed: _____
 Date: _____

DISTRIBUTOR'S NAME: VESTIL MANUFACTURING		P.O.#: -
DRAWN BY: SR		W.O.#: -
DATE: 4-10-06		SALES: -
REFERENCE: -		DRWG./FILE NAME: MFM-1300
SCALE: 1:10		