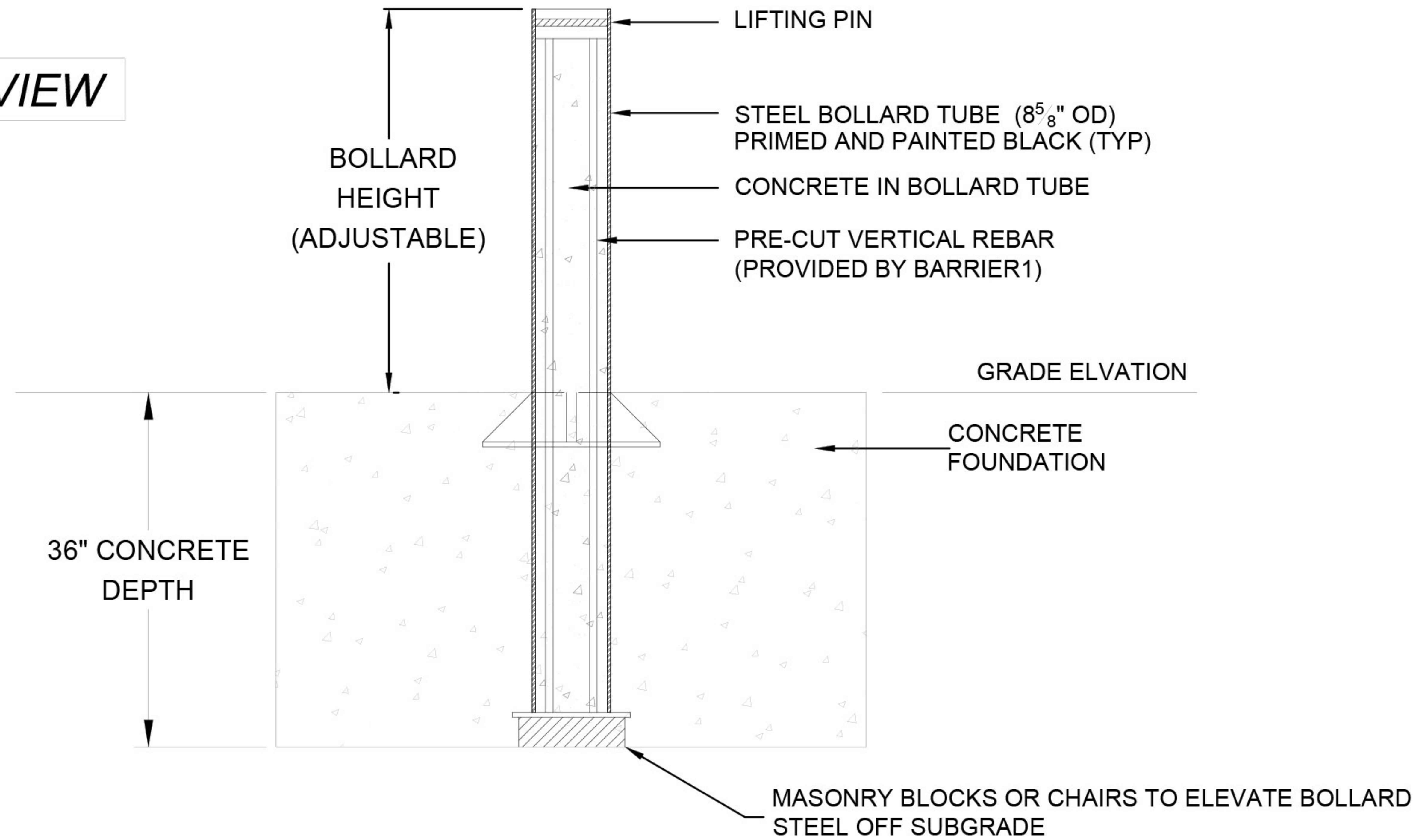


SET & POUR BOLLARD - MODEL SPB-400 (PREFABRICATED SINGLE BOLLARD UNIT, NO REBAR IN FOUNDATION)

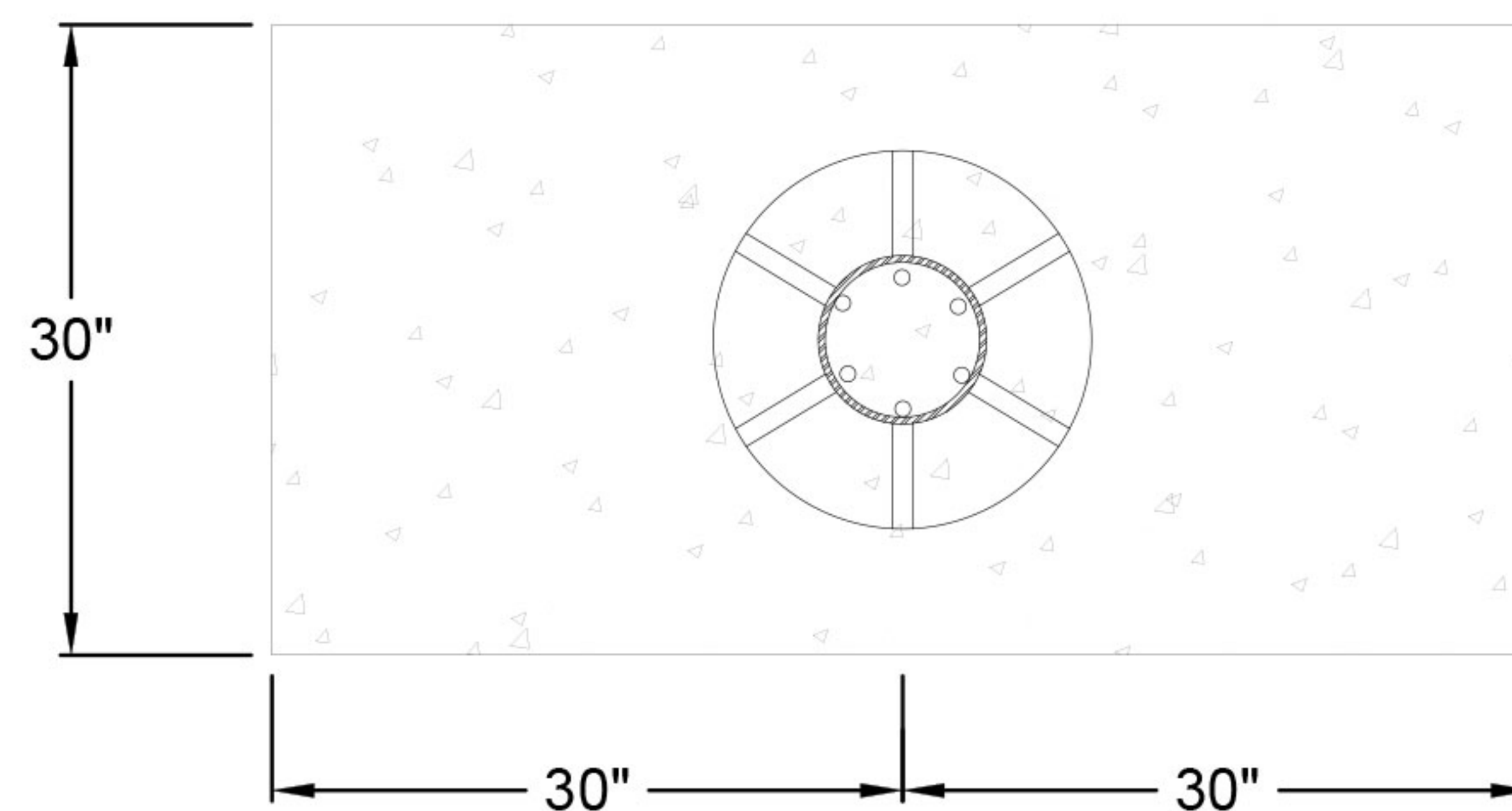
STOPS 15,000 LB. VEHICLE AT 30 MPH IMPACT (BOLLARD SPACING IS UNRESTRICTED)

ASTM F2656-07 M30(K4) CERTIFIED, APPROVED BY DoD AND ON ANTI-RAM LIST

FRONT VIEW



TOP VIEW



KEY CAPABILITIES

1. NO PLACING & TYING REBAR IN CONCRETE FOUNDATION. NO FIELD WELDING.
2. ONE (1) SINGLE PREFABRICATED BOLLARD UNIT, TO SET
3. QUICK INSTALLATION (EXCAVATE, THEN SET BOLLARD & POUR CONCRETE).
4. AVOIDS EXCAVATIONS BEING OPEN OVERNIGHT (SET & POUR BOLLARD ARRAY IN 1 DAY).
5. UNRESTRICTED BOLLARD SPACING (ONE BOLLARD STOPS VEHICLE IMPACT).

THE DRAWINGS AND INFORMATION CONTAINED HEREIN ARE PROPRIETARY AND CONFIDENTIAL AND FOR USE BY ONLY PERSONS WORKING ON PROJECT WITH BARRIER1 SYSTEMS, INC. DO NOT COPY OR REPRODUCE. ALL RIGHTS RESERVED.

**DETAILS
ASTM M30 (K4)
SET & POUR BOLLARD**

SAMPLE DRAWINGS

SHEET: 1 OF 9

20180302-01-PD

SCALE: N.T.S.

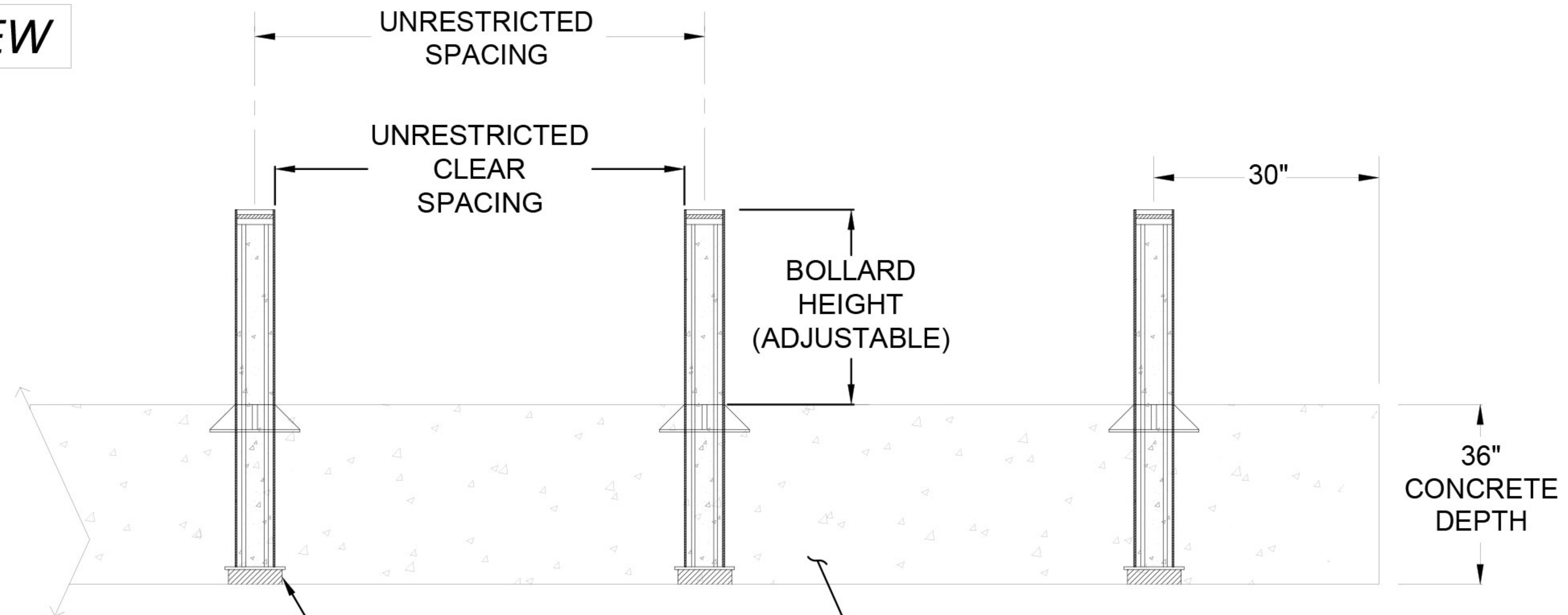
SET & POUR BOLLARD - MODEL SPB-400 (PREFABRICATED SINGLE BOLLARD UNIT, NO REBAR IN FOUNDATION)

STOPS 15,000 LB. VEHICLE AT 30 MPH IMPACT (BOLLARD SPACING IS UNRESTRICTED)

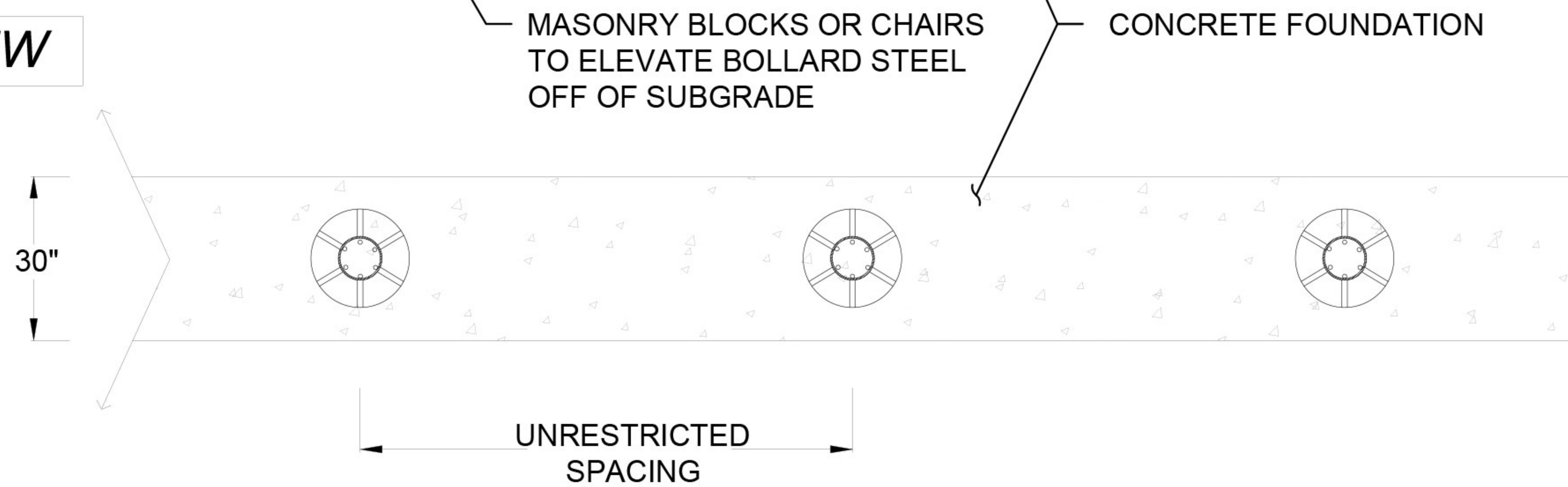
ASTM F2656-07 M30(K4) CERTIFIED, APPROVED BY DoD AND ON ANTI-RAM LIST

TYPICAL BOLLARD ARRAY INSTALLATION

FRONT VIEW



TOP VIEW



KEY CAPABILITIES

1. NO PLACING & TYING REBAR IN CONCRETE FOUNDATION. NO FIELD WELDING.
2. ONE (1) SINGLE PREFABRICATED BOLLARD UNIT.
3. QUICK INSTALLATION (EXCAVATE, THEN SET BOLLARD & POUR CONCRETE).
4. AVOIDS EXCAVATIONS BEING OPEN OVERNIGHT (SET & POUR BOLLARD ARRAY IN 1 DAY).
5. UNRESTRICTED BOLLARD SPACING (ONE BOLLARD STOPS VEHICLE IMPACT).

THE DRAWINGS AND INFORMATION CONTAINED HEREIN ARE PROPRIETARY AND CONFIDENTIAL AND FOR USE BY ONLY PERSONS WORKING ON PROJECT WITH BARRIER1 SYSTEMS, INC. DO NOT COPY OR REPRODUCE. ALL RIGHTS RESERVED.

**TYPICAL ARRAY
ASTM M30(K4)
SET & POUR BOLLARD**

SAMPLE DRAWINGS

SHEET: 2 OF 9

20180302-01-PD

SCALE: N.T.S.

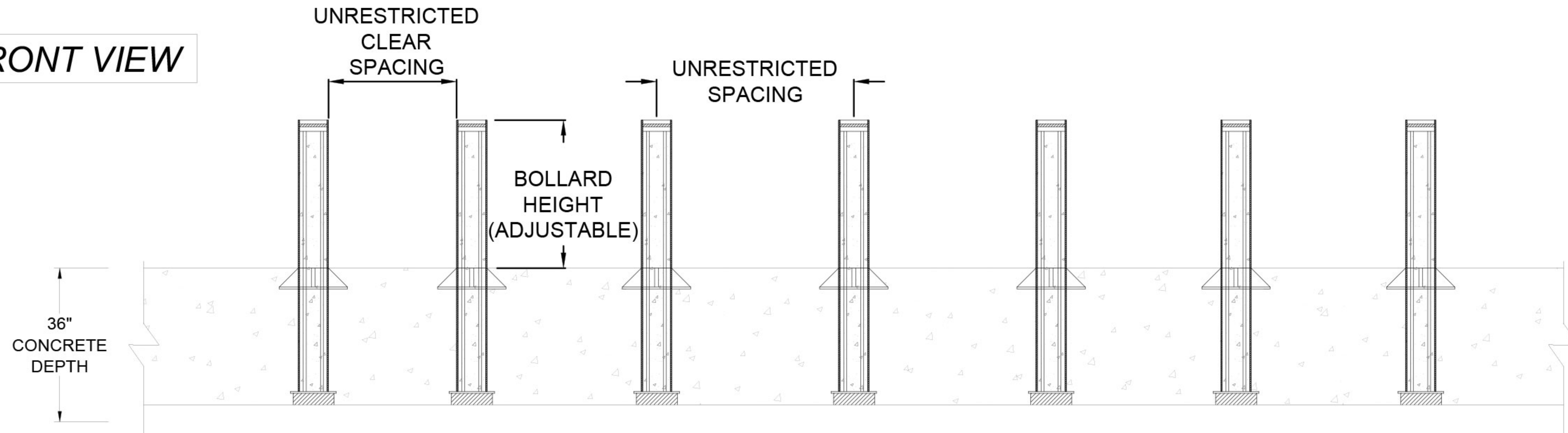
SET & POUR BOLLARD - MODEL SPB-400 (PREFABRICATED SINGLE BOLLARD UNIT, NO REBAR IN FOUNDATION)

STOPS 15,000 LB. VEHICLE AT 30 MPH IMPACT (BOLLARD SPACING IS UNRESTRICTED)

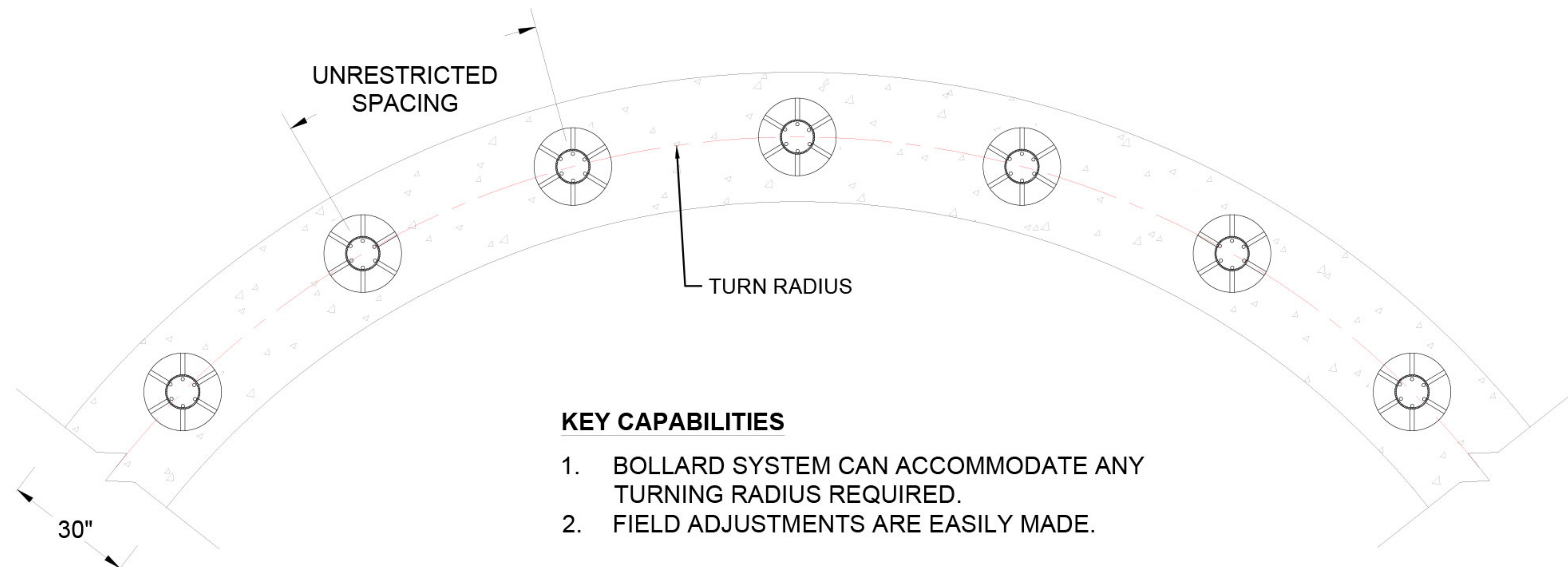
ASTM F2656-07 M30(K4) CERTIFIED, APPROVED BY DoD AND ON ANTI-RAM LIST

BOLLARD INSTALLATION WITH TURN

FRONT VIEW



TOP VIEW



KEY CAPABILITIES

1. BOLLARD SYSTEM CAN ACCOMMODATE ANY TURNING RADIUS REQUIRED.
2. FIELD ADJUSTMENTS ARE EASILY MADE.

THE DRAWINGS AND INFORMATION CONTAINED HEREIN ARE PROPRIETARY AND CONFIDENTIAL AND FOR USE BY ONLY PERSONS WORKING ON PROJECT WITH BARRIER1 SYSTEMS, INC. DO NOT COPY OR REPRODUCE. ALL RIGHTS RESERVED.

ARRAY ON CURVE
ASTM M30(K4)
SET & POUR BOLLARD

SAMPLE DRAWINGS

SHEET: 3 OF 9

20180302-01-PD

SCALE: N.T.S.

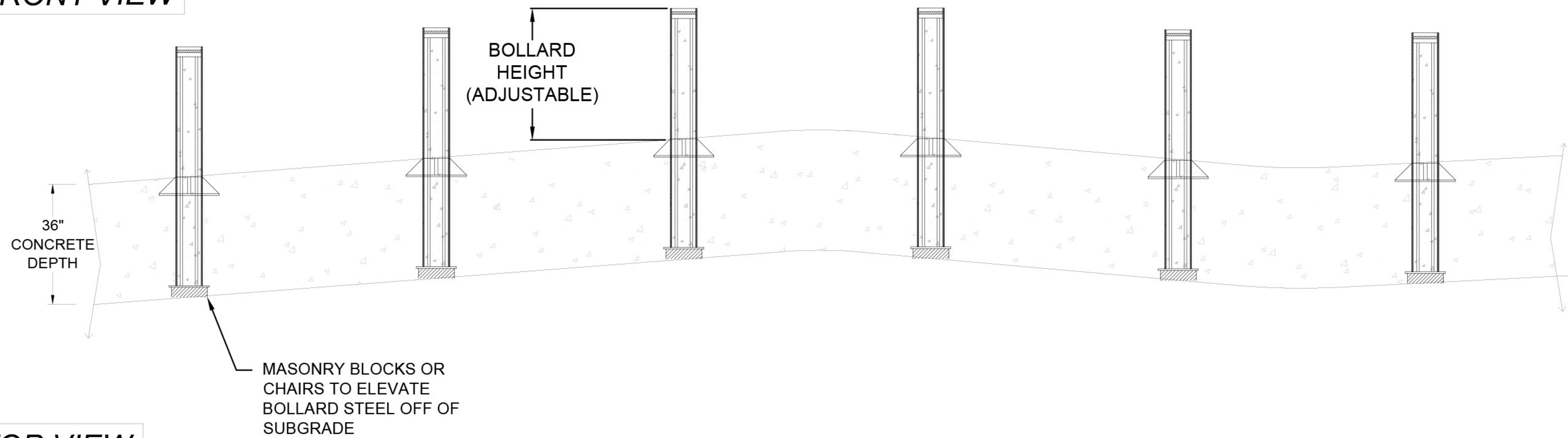
SET & POUR BOLLARD - MODEL SPB-400 (PREFABRICATED SINGLE BOLLARD UNIT, NO REBAR IN FOUNDATION)

STOPS 15,000 LB. VEHICLE AT 30 MPH IMPACT (BOLLARD SPACING IS UNRESTRICTED)

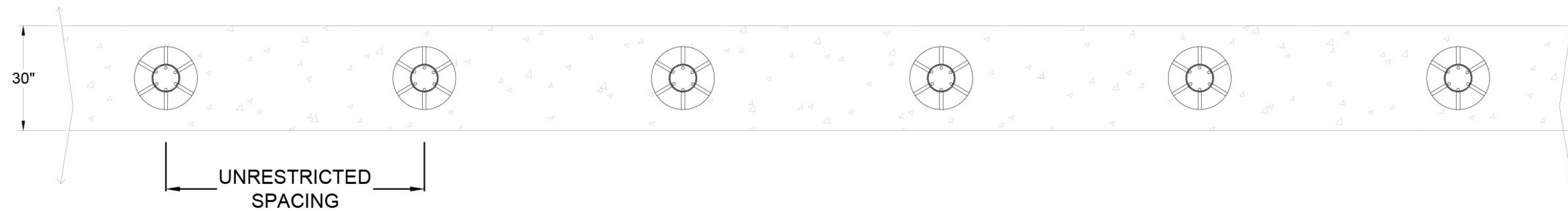
ASTM F2656-07 M30(K4) CERTIFIED, APPROVED BY DoD AND ON ANTI-RAM LIST

BOLLARD INSTALLATION ACROSS GRADE CHANGES

FRONT VIEW



TOP VIEW



THE DRAWINGS AND INFORMATION CONTAINED HEREIN ARE PROPRIETARY AND CONFIDENTIAL AND FOR USE BY ONLY PERSONS WORKING ON PROJECT WITH BARRIER1 SYSTEMS, INC. DO NOT COPY OR REPRODUCE. ALL RIGHTS RESERVED.

**ARRAY ON SLOPE
ASTM M30(K4)
SET & POUR BOLLARD**

SAMPLE DRAWINGS

SHEET: 4 OF 9

20180302-01-PD

SCALE: N.T.S.

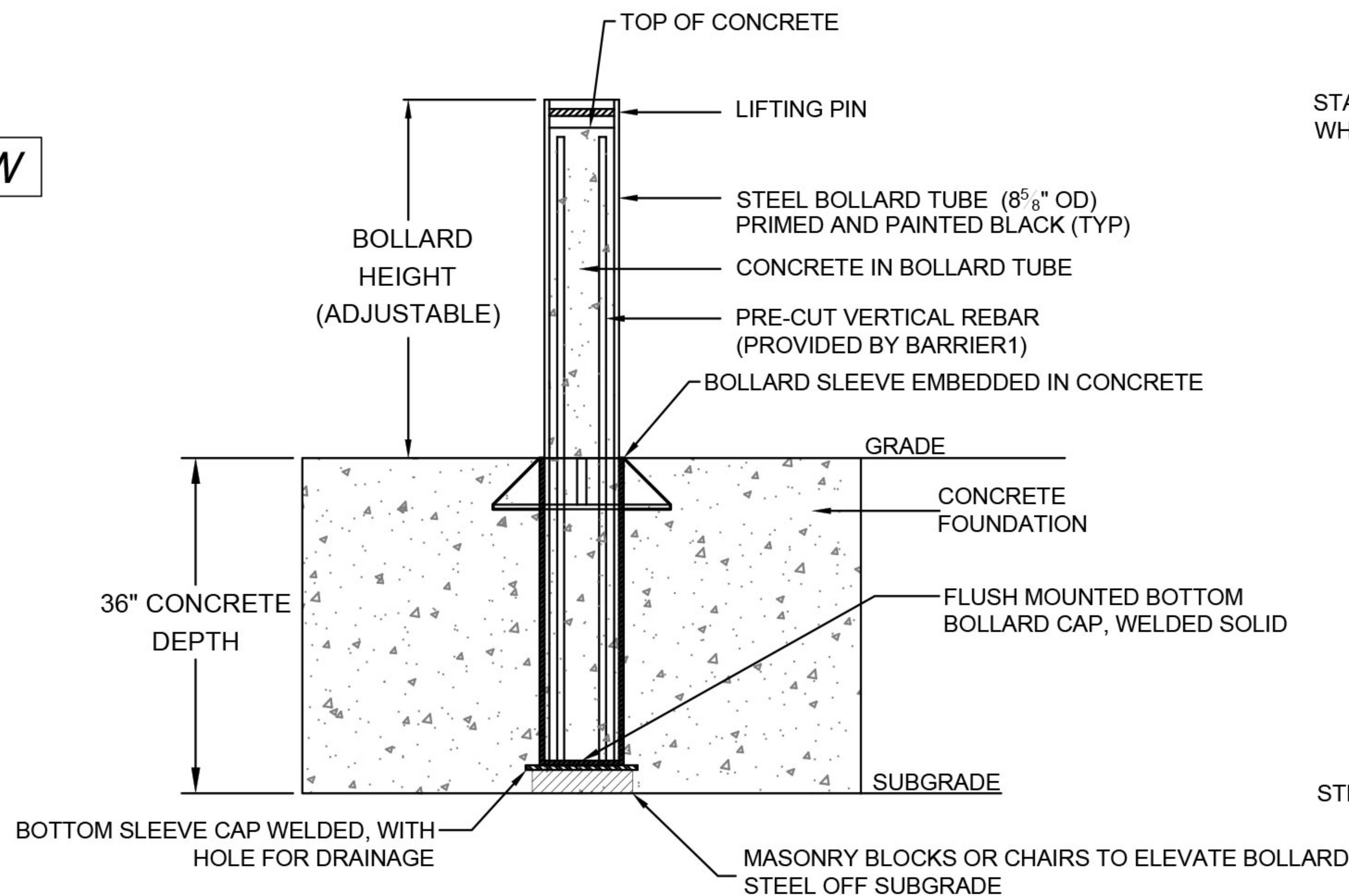
SET & POUR BOLLARD - MODEL SPB-400 (PREFABRICATED SINGLE BOLLARD UNIT, NO REBAR IN FOUNDATION)

STOPS 15,000 LB. VEHICLE AT 30 MPH IMPACT (BOLLARD SPACING IS UNRESTRICTED)

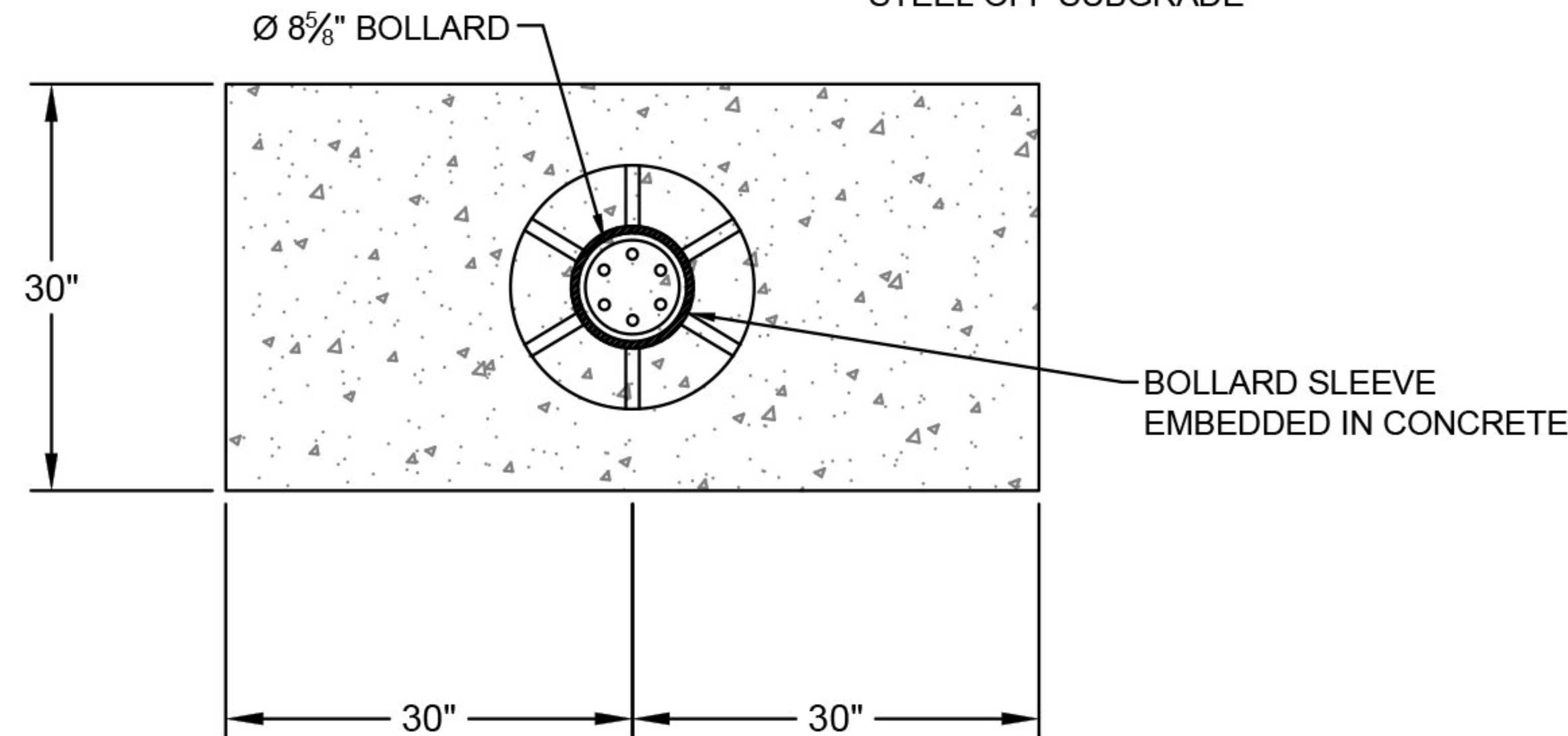
ASTM F2656-07 M30(K4) CERTIFIED, APPROVED BY DoD AND ON ANTI-RAM LIST

REMOVABLE BOLLARD OPTION

FRONT VIEW

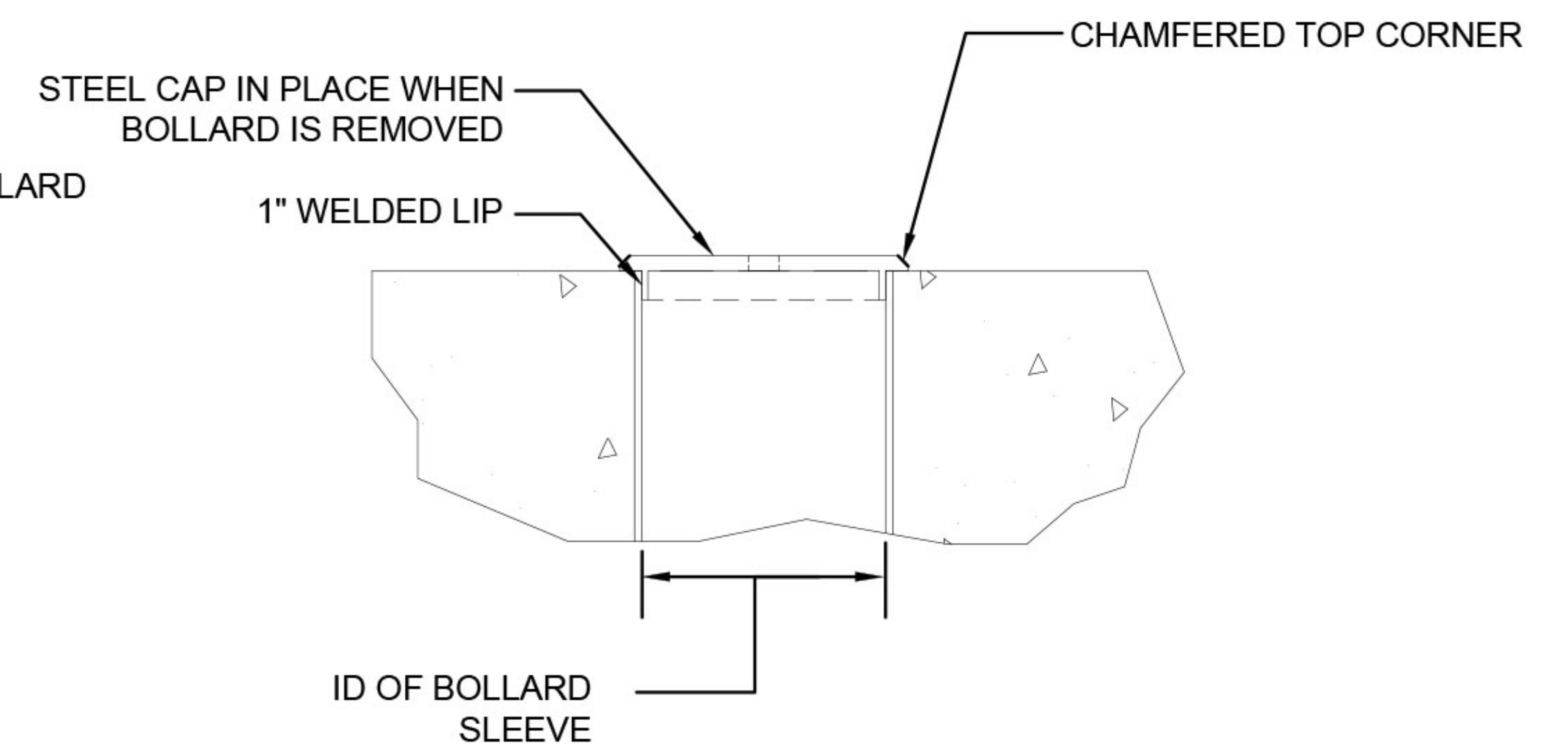
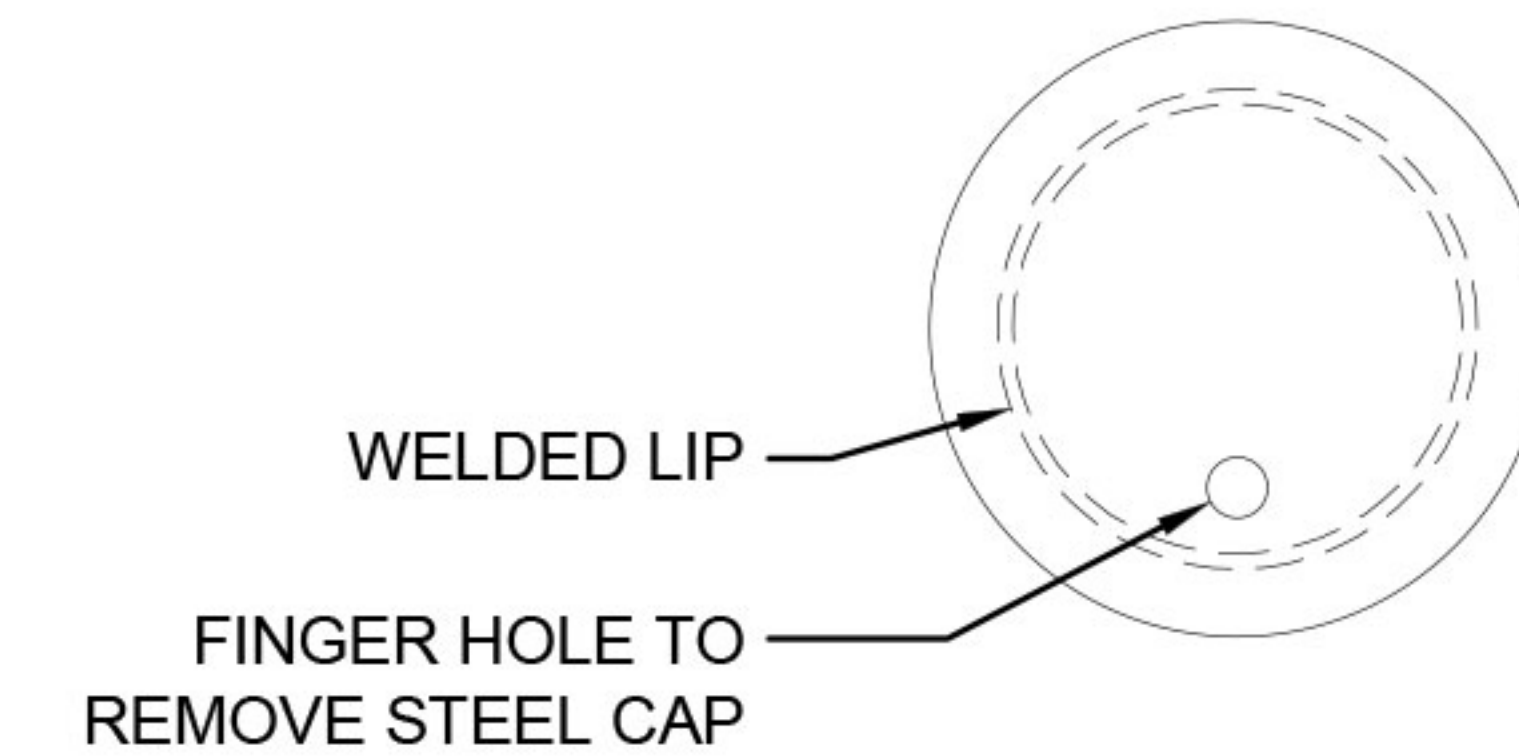


TOP VIEW



BOLLARD CAP DETAILS

STAINLESS STEEL CAP. USED WHEN BOLLARD IS REMOVED



THE DRAWINGS AND INFORMATION CONTAINED HEREIN ARE PROPRIETARY AND CONFIDENTIAL AND FOR USE BY ONLY PERSONS WORKING ON PROJECT WITH BARRIER1 SYSTEMS, INC. DO NOT COPY OR REPRODUCE. ALL RIGHTS RESERVED.

DETAILS
ASTM M30 (K4)
SET & POUR BOLLARD

SAMPLE DRAWINGS

SHEET: 5 OF 9

20180302-01-PD

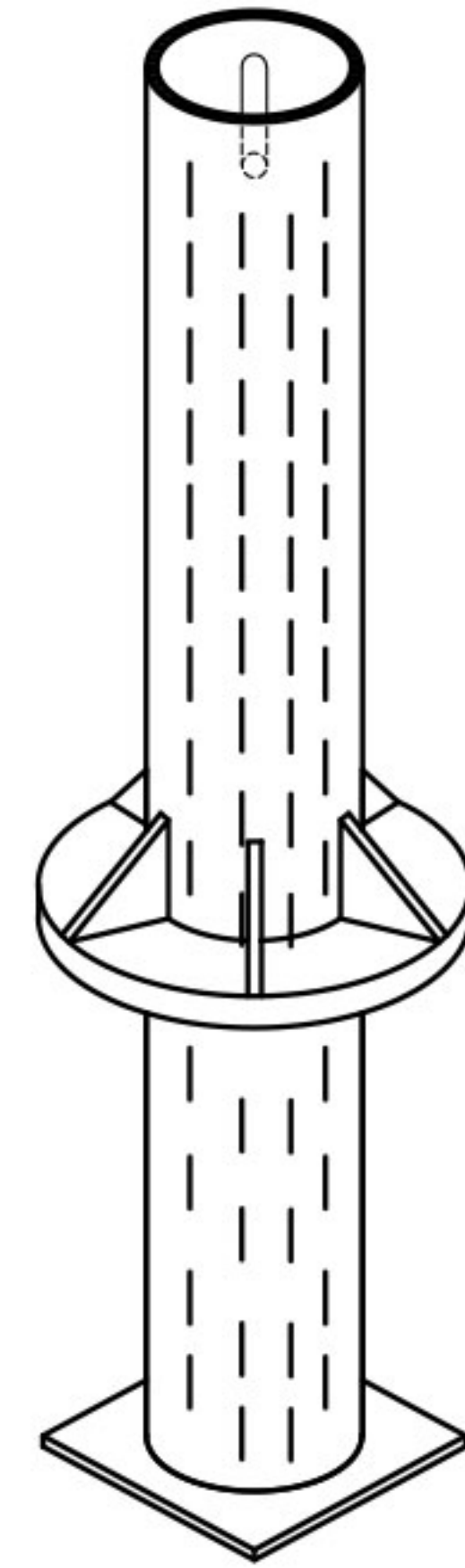
SCALE: N.T.S.

SET & POUR BOLLARD - MODEL SPB-400 (PREFABRICATED SINGLE BOLLARD UNIT, NO REBAR IN FOUNDATION)

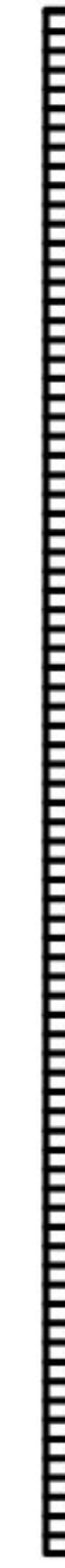
STOPS 15,000 LB. VEHICLE AT 30 MPH IMPACT (BOLLARD SPACING IS UNRESTRICTED)

ASTM F2656-07 M30(K4) CERTIFIED, APPROVED BY DoD AND ON ANTI-RAM LIST

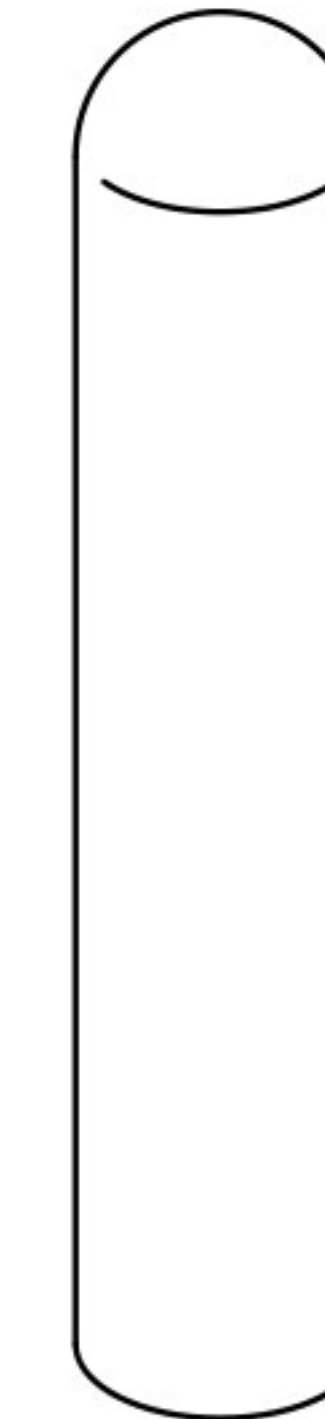
PREFABRICATED BOLLARD MATERIALS PROVIDED BY BARRIER1 SYSTEMS



(QTY 1) EACH:
BOLLARD TUBE



(QTY 6) EACH:
PRE-CUT VERTICAL REBAR
(INSIDE BOLLARD)



(QTY 1) EACH:
BOLLARD COVER

MATERIALS PROVIDED BY INSTALLER

1. CONCRETE, 1.5 CUBIC YARDS PER BOLLARD
2. CHAIRS TO ELEVATE BOLLARDS ABOVE SUBGRADE

THE DRAWINGS AND INFORMATION CONTAINED HEREIN ARE PROPRIETARY AND CONFIDENTIAL AND FOR USE BY ONLY PERSONS WORKING ON PROJECT WITH BARRIER1 SYSTEMS, INC. DO NOT COPY OR REPRODUCE. ALL RIGHTS RESERVED.

MATERIALS PROVIDED (FIXED BOLLARDS)

SAMPLE DRAWINGS

SHEET: 6 OF 9

20180302-01-PD

SCALE: N.T.S.

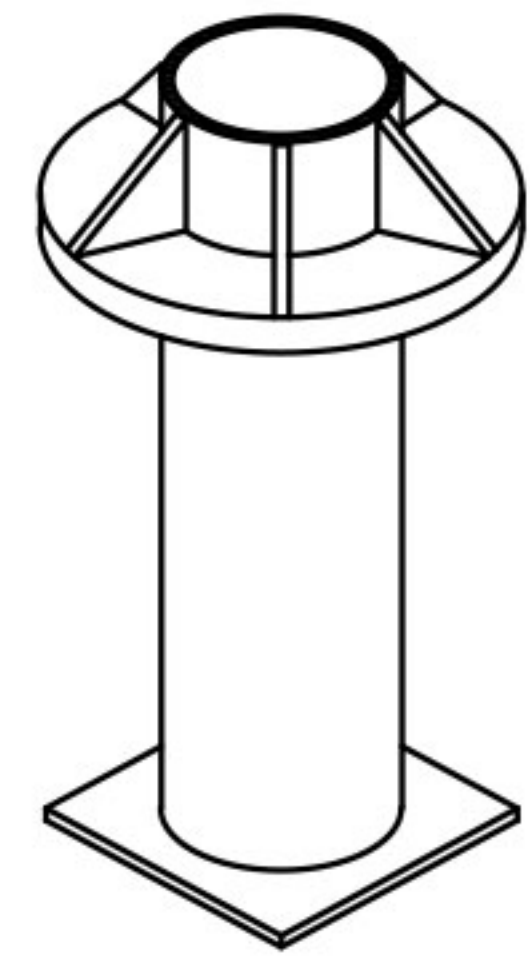
SET & POUR BOLLARD - MODEL SPB-400 (PREFABRICATED SINGLE BOLLARD UNIT, NO REBAR IN FOUNDATION)

STOPS 15,000 LB. VEHICLE AT 30 MPH IMPACT (BOLLARD SPACING IS UNRESTRICTED)

ASTM F2656-07 M30(K4) CERTIFIED, APPROVED BY DoD AND ON ANTI-RAM LIST

REMOVABLE BOLLARDS

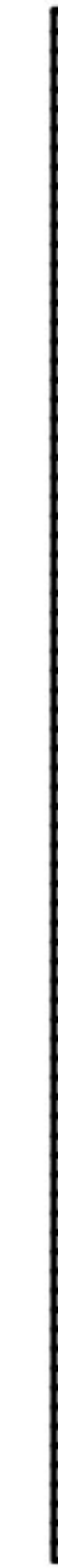
PREFABRICATED BOLLARD MATERIALS PROVIDED BY BARRIER1 SYSTEMS



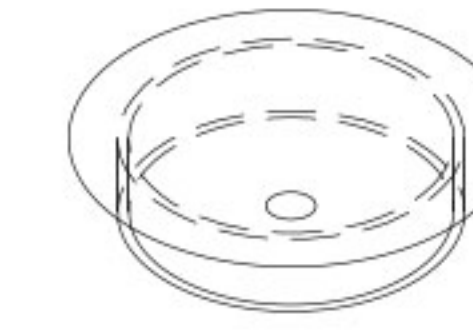
(QTY 1) EACH:
BOLLARD SLEEVE



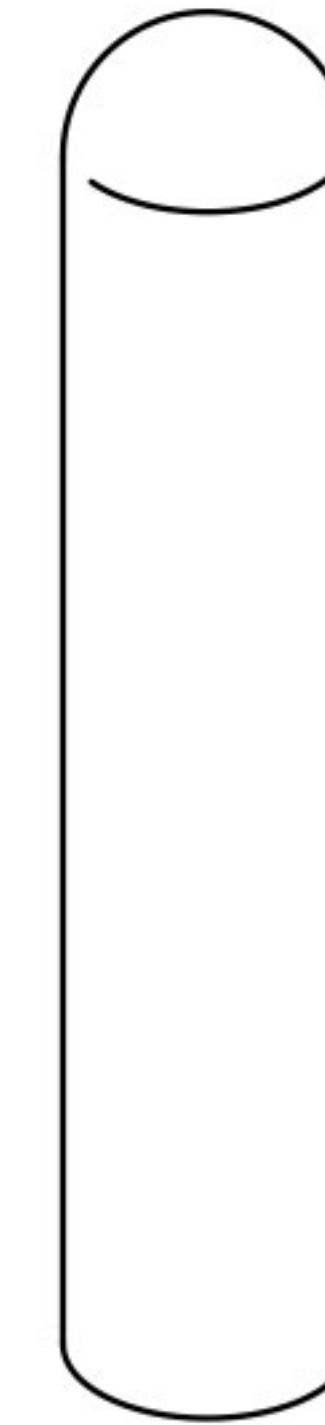
(QTY 1) EACH:
BOLLARD TUBE



(QTY 6) EACH:
PRE-CUT VERTICAL REBAR
(INSIDE BOLLARD)



(QTY 1) EACH:
BOLLARD SLEEVE CAP



(QTY 1) EACH:
BOLLARD COVER

MATERIALS PROVIDED BY INSTALLER

1. CONCRETE. 1.5 CUBIC YARDS PER BOLLARD.
2. CHAIRS TO ELEVATE BOLLARD ABOVE SUBGRADE

THE DRAWINGS AND INFORMATION CONTAINED HEREIN ARE PROPRIETARY AND CONFIDENTIAL AND FOR USE BY ONLY PERSONS WORKING ON PROJECT WITH BARRIER1 SYSTEMS, INC. DO NOT COPY OR REPRODUCE. ALL RIGHTS RESERVED.

**MATERIALS PROVIDED
(REMOVABLE BOLLARDS)**

SAMPLE DRAWINGS

SHEET: 7 OF 9

20180302-01-PD

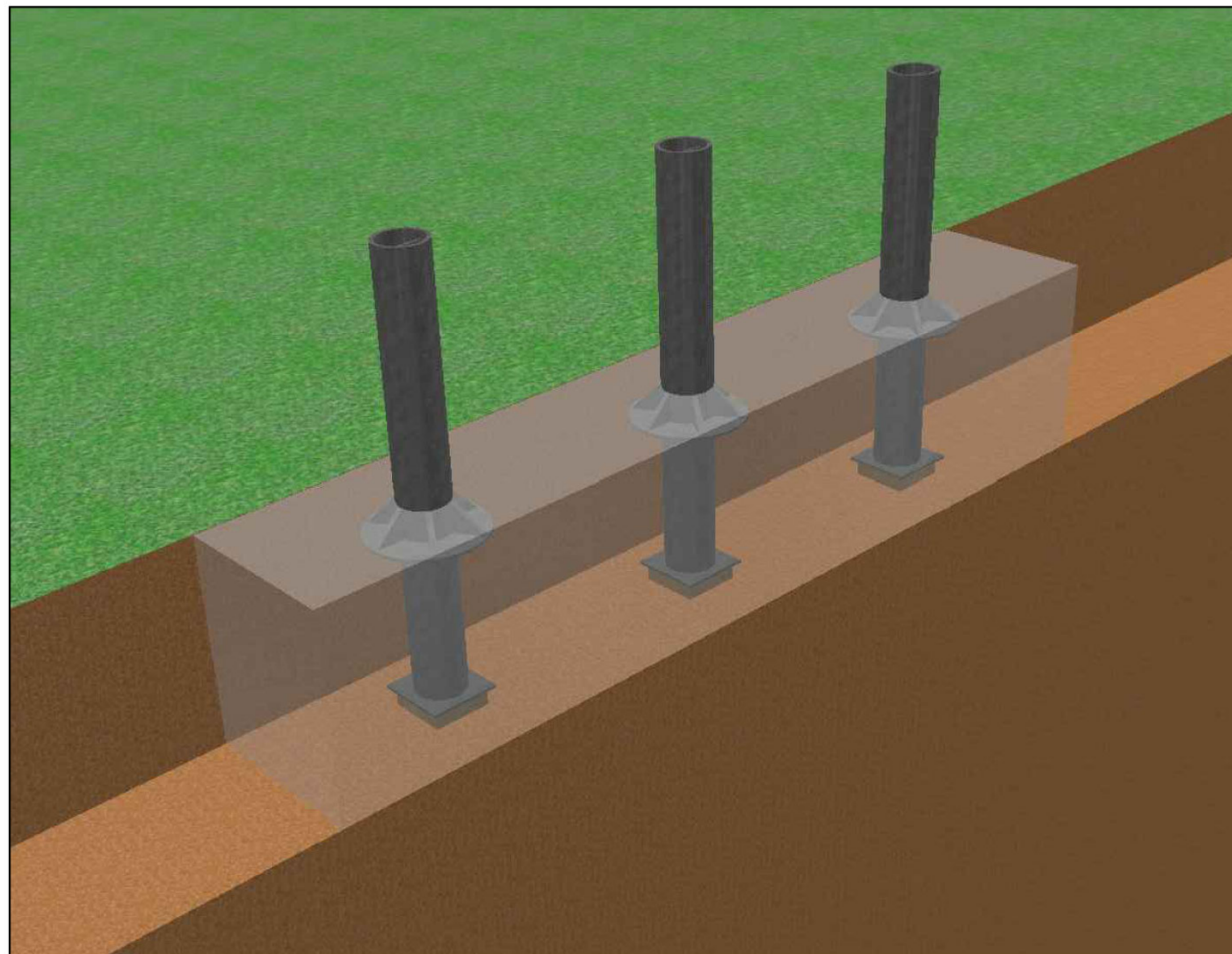
SCALE: N.T.S.

SET & POUR BOLLARD - MODEL SPB-400 (PREFABRICATED SINGLE BOLLARD UNIT, NO REBAR IN FOUNDATION)

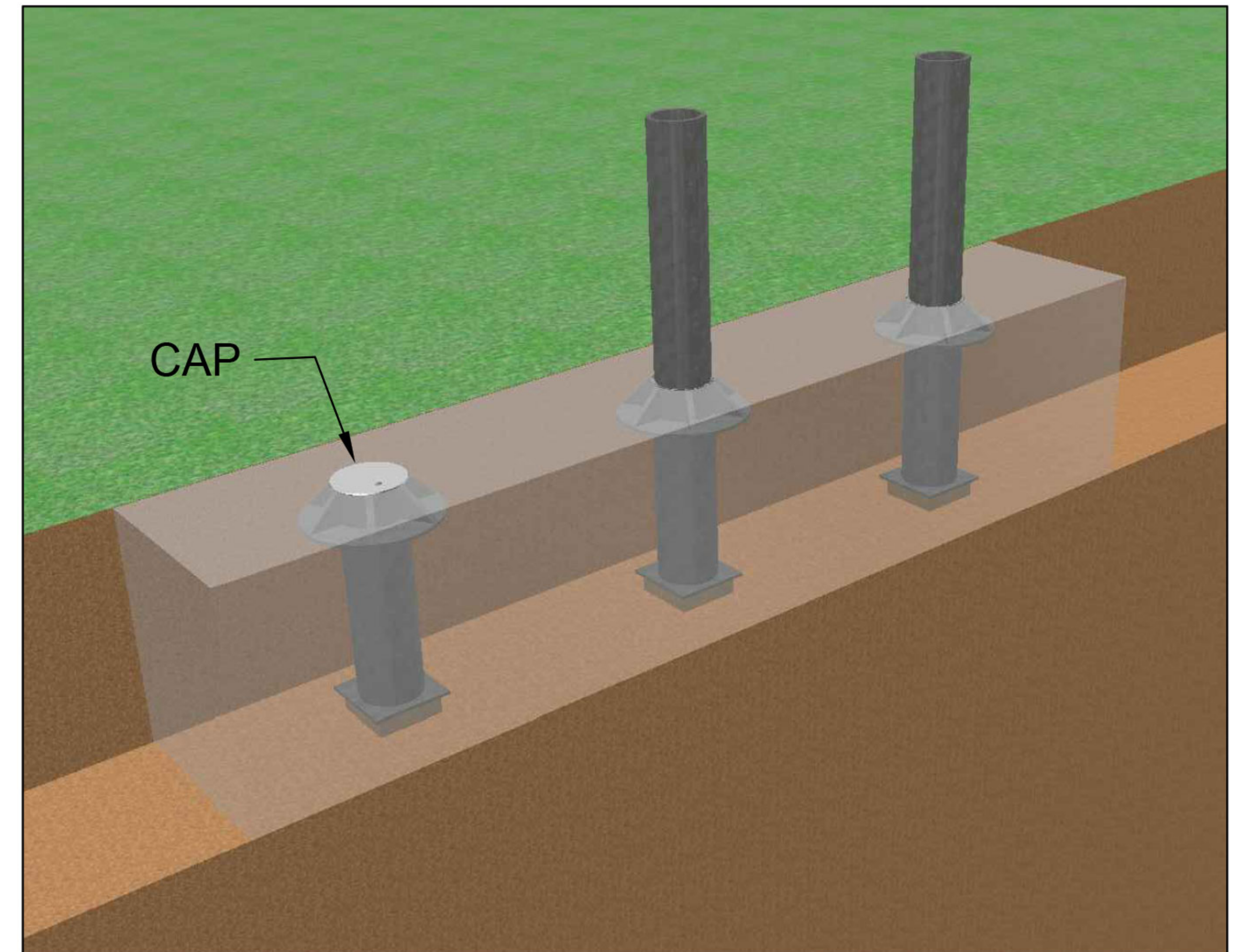
STOPS 15,000 LB. VEHICLE AT 30 MPH IMPACT (BOLLARD SPACING IS UNRESTRICTED)

ASTM F2656-07 M30(K4) CERTIFIED, APPROVED BY DoD AND ON ANTI-RAM LIST

FIXED BOLLARDS IN ARRAY



REMOVABLE BOLLARDS IN ARRAY



THE DRAWINGS AND INFORMATION CONTAINED HEREIN ARE PROPRIETARY AND CONFIDENTIAL AND FOR USE BY ONLY PERSONS WORKING ON PROJECT WITH BARRIER1 SYSTEMS, INC. DO NOT COPY OR REPRODUCE. ALL RIGHTS RESERVED.

3D VIEW PRIOR
TO POURING CONCRETE

SAMPLE DRAWINGS

SHEET: 8 OF 9

20180302-01-PD

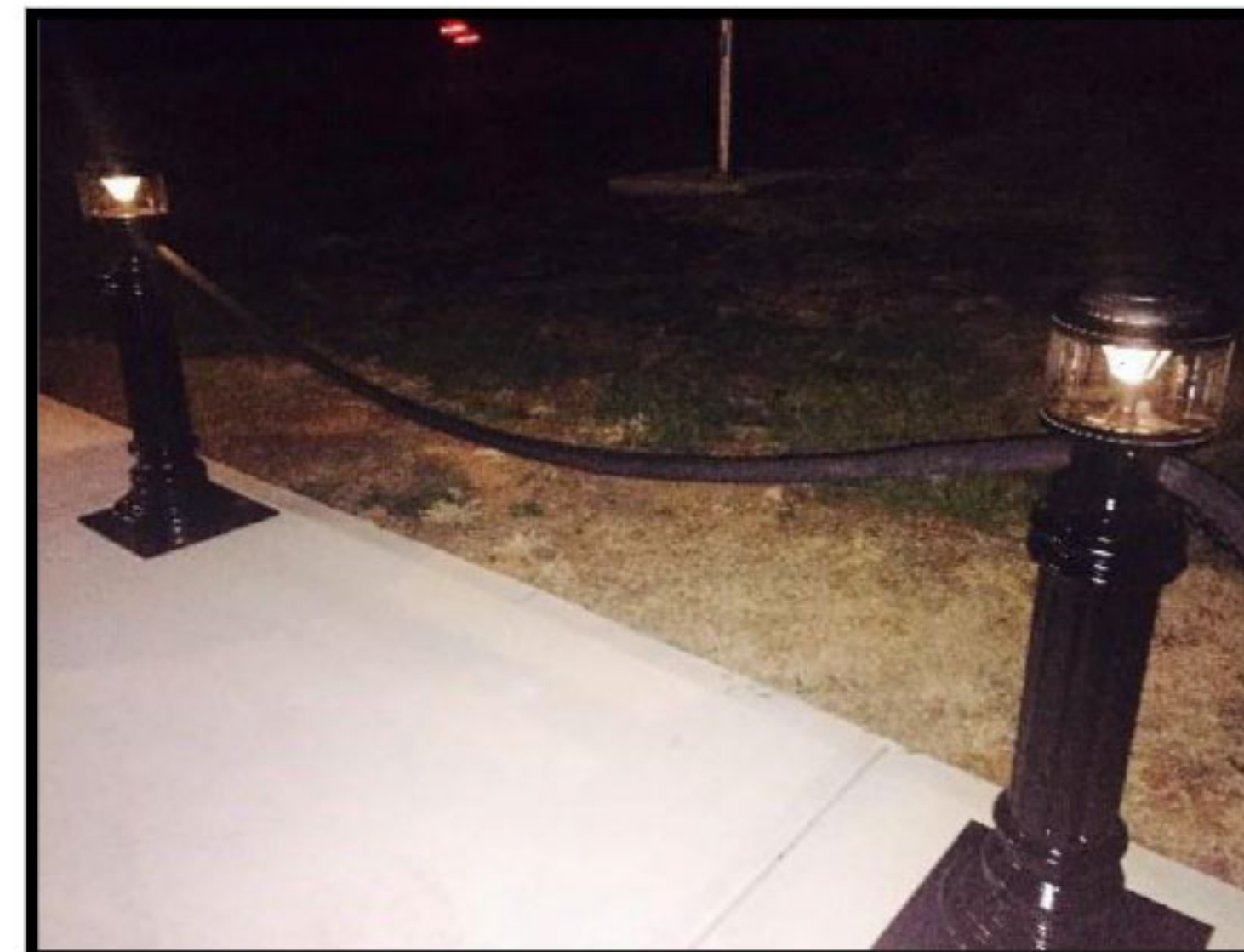
SCALE: N.T.S.

SET & POUR BOLLARD - MODEL SPB-400 (PREFABRICATED SINGLE BOLLARD UNIT, NO REBAR IN FOUNDATION)

STOPS 15,000 LB. VEHICLE AT 30 MPH IMPACT (BOLLARD SPACING IS UNRESTRICTED)

ASTM F2656-07 M30(K4) CERTIFIED, APPROVED BY DoD AND ON ANTI-RAM LIST

BOLLARD COVER EXAMPLES - CUSTOM TYPES, SHAPES, SIZES AND COLORS ARE AVAILABLE



THE DRAWINGS AND INFORMATION CONTAINED HEREIN ARE PROPRIETARY AND CONFIDENTIAL AND FOR USE BY ONLY PERSONS WORKING ON PROJECT WITH BARRIER1 SYSTEMS, INC. DO NOT COPY OR REPRODUCE. ALL RIGHTS RESERVED.

BOLLARD COVER EXAMPLES

SAMPLE DRAWINGS

SHEET: 9 OF 9

20180302-01-PD

SCALE: N.T.S.