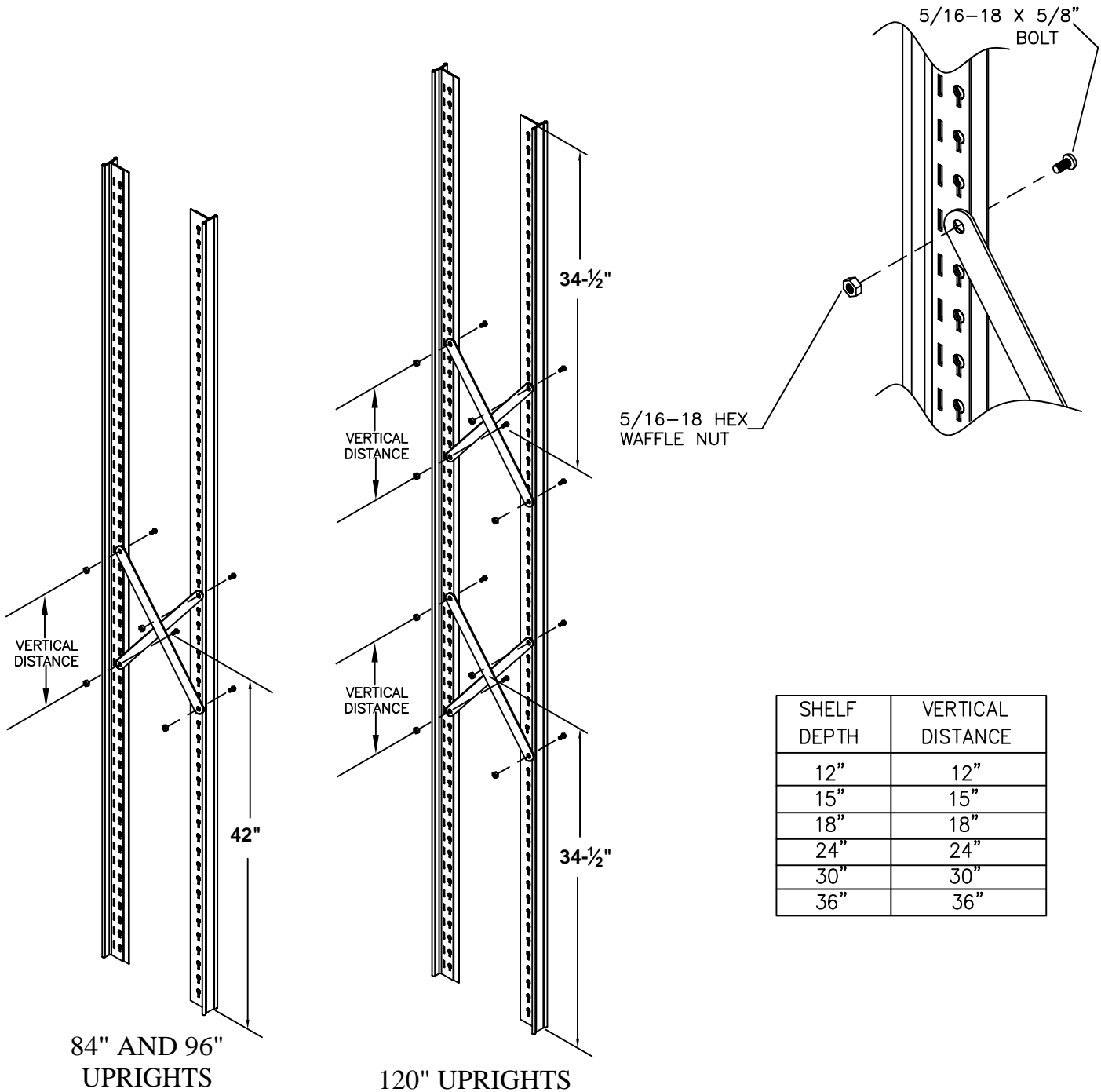


ASSEMBLY SEQUENCE

STEP 1 ASSEMBLE OPEN UPRIGHTS



IN NEED OF

ASSEMBLY ASSISTANCE?

Contact us direct for fast friendly service (800) 433-8488

Int'l calls (630) 892-8941 | WEB: WWW.LYONWORKSPACE.COM | Fax (800) 367-6681

ASSEMBLY INSTRUCTIONS
LYON SINGLE LEVEL
8000 SERIES OPEN
SHELVING

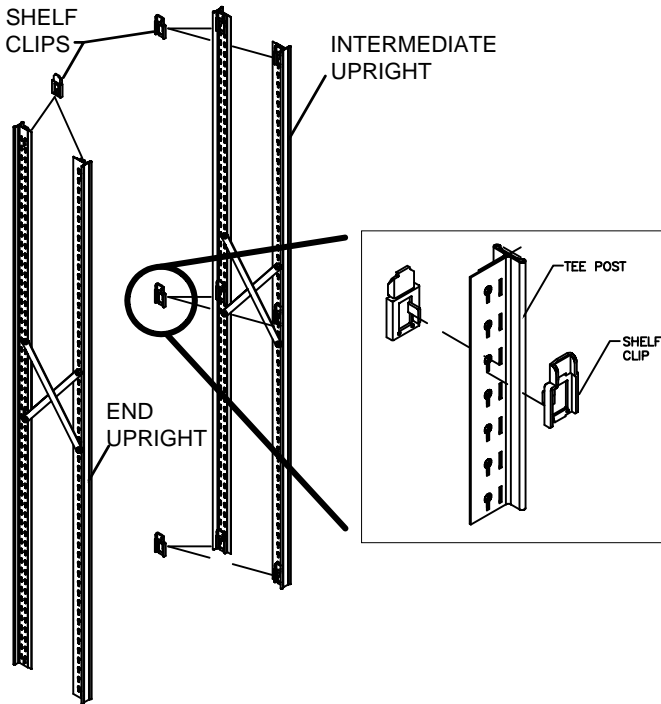
LYON LYON WORKSPACE PRODUCTS
P.O. BOX 671
AURORA, IL 60507

9307DA

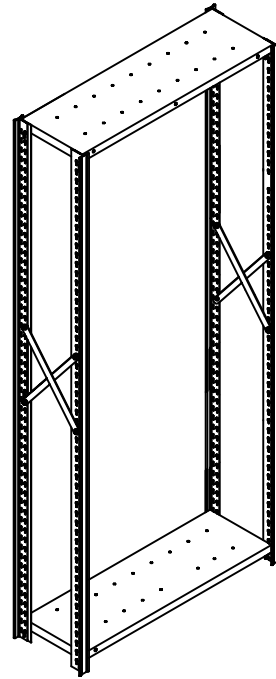
SHEET 1 OF 3

ASSEMBLY SEQUENCE

STEP 2 ASSEMBLE SHELF CLIPS TO POSTS



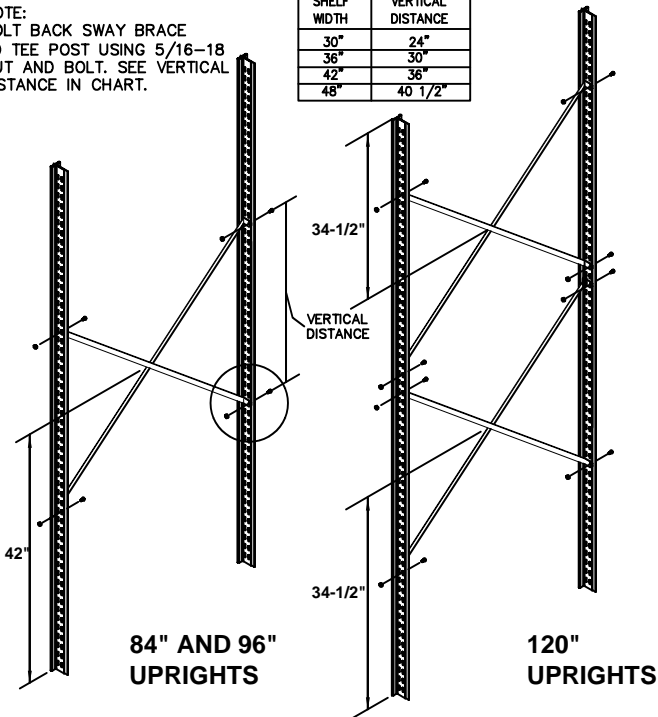
STEP 3 ASSEMBLE TOP AND BOTTOM SHELVES TO FRAME UNIT



STEP 4 BOLT BACK SWAY BRACE TO REAR POSTS. BACK TO BACK SECTIONS WILL SHARE A BRACE.

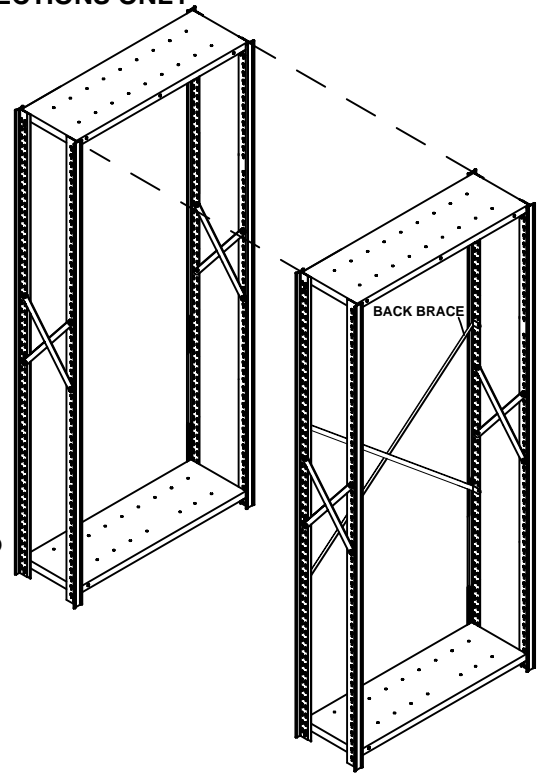
NOTE:
BOLT BACK SWAY BRACE
TO TEE POST USING 5/16-18
NUT AND BOLT. SEE VERTICAL
DISTANCE IN CHART.

SHELF WIDTH	VERTICAL DISTANCE
30"	24"
36"	30"
42"	36"
48"	40 1/2"



STEP 4A ASSEMBLY USED FOR BACK TO BACK SECTIONS ONLY

IN BACK TO BACK SECTIONS, TWO SECTIONS ARE PLACED TOGETHER AND WILL SHARE THE BACK BRACE. BACK BRACES SHOULD BE ALTERNATED FROM ONE ROW TO THE OTHER AND END TIE CLIPS ARE TO BE USED AS SHOWN IN DETAIL 5. END TIE CLIPS ARE TO BE USED TYPICALLY ON ALL END UPRIGHTS AND AT LEAST EVERY THIRD INTERMEDIATE UPRIGHT IN THE RUN.



IN NEED OF ASSEMBLY ASSISTANCE?

Contact us direct for fast friendly service (800) 433-8488

Int'l calls (630) 892-8941 | WEB: WWW.LYONWORKSPACE.COM | Fax (800) 367-6681

ASSEMBLY INSTRUCTIONS
FOR LYON SINGLE LEVEL
8000 SERIES OPEN
SHELVING

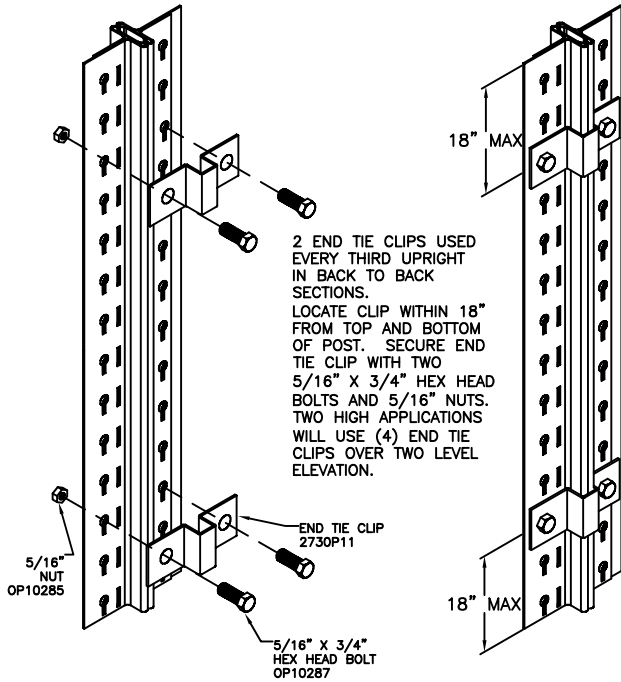
LYON LYON WORKSPACE PRODUCTS
P.O. BOX 671
AURORA, IL 60507

9307DA

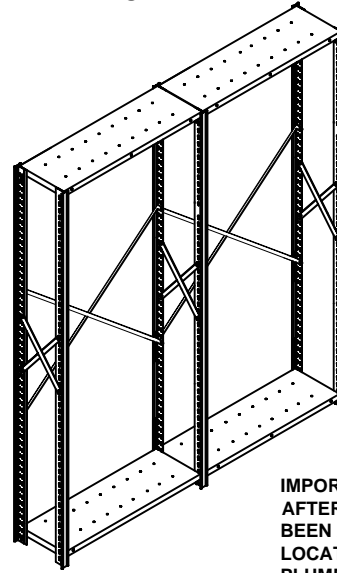
SHEET 2 OF 3

ASSEMBLY SEQUENCE

STEP 5 END TIE CLIP ASSEMBLY ONLY FOR BACK TO BACK SECTIONS

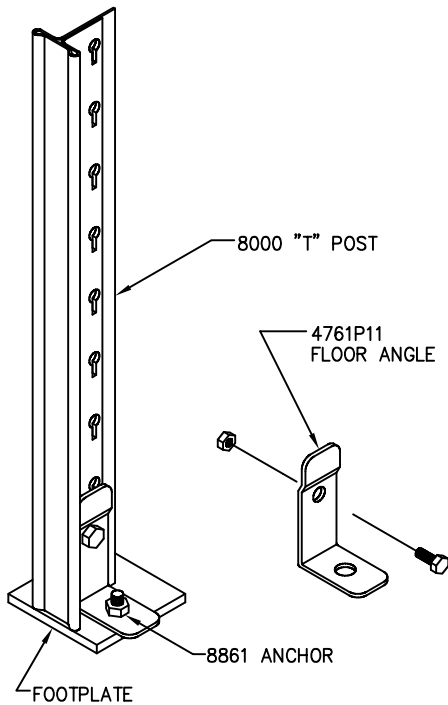


STEP 6 LEVEL AND PLUMB

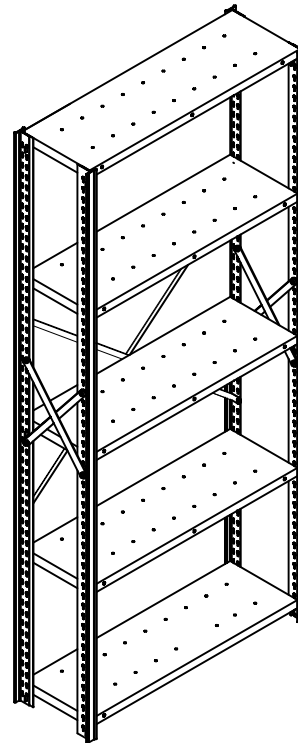


IMPORTANT NOTE:
AFTER A ROW OF SHELVING HAS BEEN ASSEMBLED AND ACCURATELY LOCATED, CAREFULLY LEVEL AND PLUMB THE UNITS AS REQUIRED. DO THIS BY PLACING ONE OR MORE FLOOR PLATES/SHIMS UNDER EACH UPRIGHT POST WHERE REQUIRED.

STEP 7 ANCHOR POSTS TO FLOOR



STEP 8 FILL IN REMAINDER OF SHELVES WITHIN SECTION



IN NEED OF ASSEMBLY ASSISTANCE?

Contact us direct for fast friendly service (800) 433-8488

Int'l calls (630) 892-8941 | WEB: WWW.LYONWORKSPACE.COM | Fax (800) 367-6681

ASSEMBLY INSTRUCTIONS
FOR LYON SINGLE LEVEL
8000 SERIES OPEN
SHELVING

LYON LYON WORKSPACE PRODUCTS
P.O. BOX 671
25402 AURORA, IL 60507

9307DA

SHEET 3 OF 3