

# EKKO<sup>®</sup>

MATERIAL HANDLING EQUIPMENT

MOVING **AHEAD**

# COUNTERBALANCE STACKER EK14-130Li SERIES

- Load Capacity 3300 lbs.
- Lift Height 130" in.
- EPS (Elec. Power Steer)
- Length 105 in.
- Curtis Instrument Controller
- Tilt 2/5 degree
- Mast Height 84 in.
- Battery & Charger Included
- 3 Year Limited Warranty



[www.ekkolifts.com](http://www.ekkolifts.com)

## EK14-130Li SERIES

**Superior quality, maneuverable, compact, and durable for all your material handling applications. Ideal for small aisles and areas.**

**WEIGHT CAPACITY:** 3300 lbs. @ 24" load center

**LIFT HEIGHT:** 130" (10.83ft)

**FORK LENGTH:** 45.3"

**MAST HEIGHT:** 84"

**TURNING RADIUS:** 62"

**TILT:** 2/5 degree

**BATTERY / CHARGER:** 24V/150AH-Li, 24-volt Industrial battery with external direct connect 110A 110VAC plug-in automatic 24V/50A charger (both Included)

**BRAKING:** Electromagnetic Brakes

**SPEED TRAVEL:** 3.7 mph empty ; 3.5 mph loaded

**LIFTING SPEED:** 5.5 ips empty; 4 ips loaded

**LOWERING SPEED:** 4.7 ips empty; 5.3 ips loaded

**DRIVE WHEELS:** 9.8" x 3" Polyurethane

**LOAD WHEELS:** (2) 9.8" x 4.7" Polyurethane

**HYDRAULICS LIFTING MOTOR:** 24V 3000 Watt lifting motor with hardened chrome moly steel for durability.

**DRIVE MOTOR:** 24V 2500-Watt German ZF AC drive motor for efficiency and high torque.

**STEERING MOTOR:** EPS (Electronic Power Steering) 24V 200 Watt

**AC CONTROLLER:** 24V CURTIS Instrument provides performance through entire range of speed; Constant travel speed regardless of load; Battery discharge indicator combination gauge.

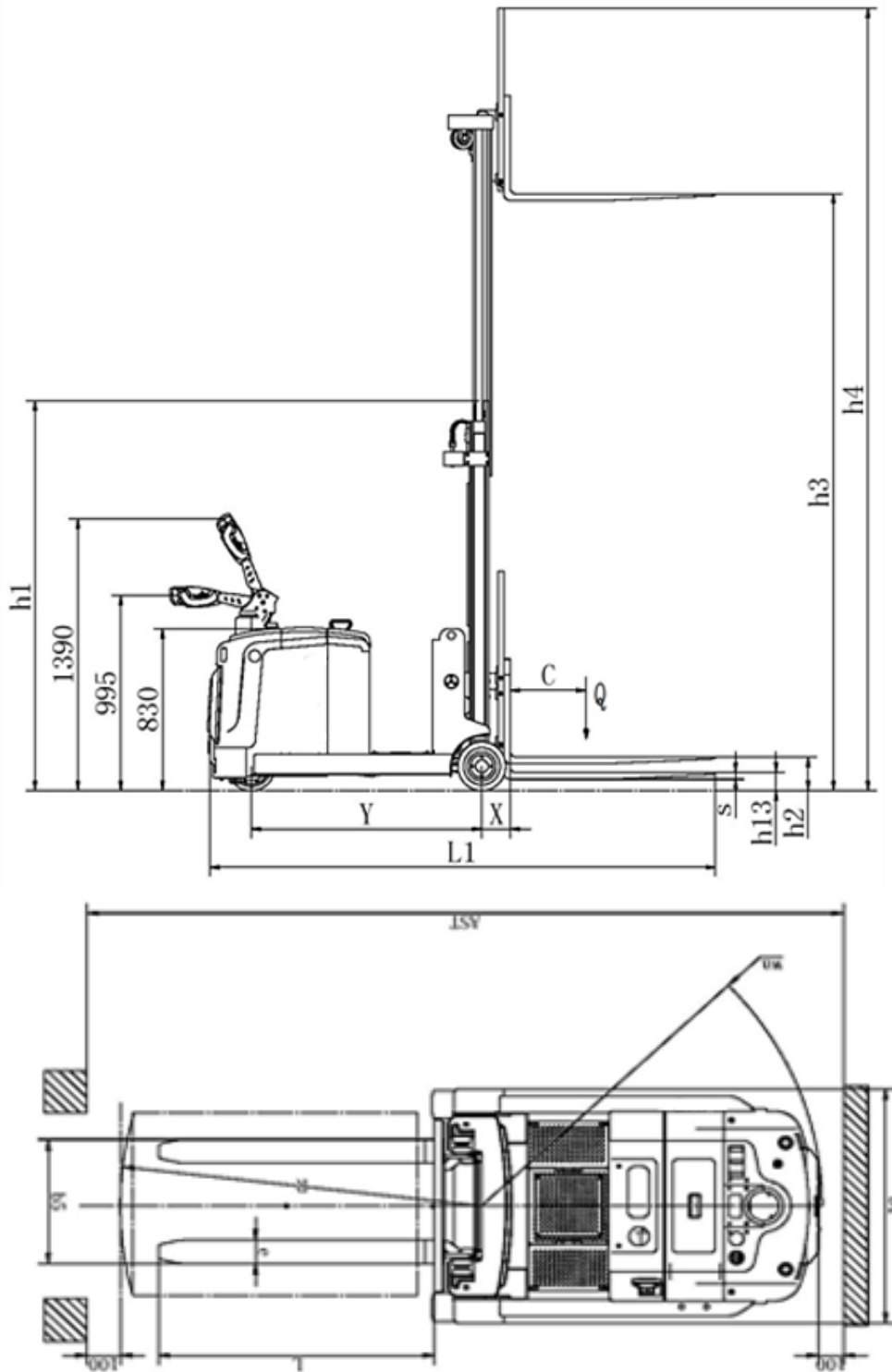
**BRAKES:** Electro-magnetic braking for secure stopping power; Electronic neutral braking for accurate control.

**OPERATOR CONTROLS:** EPS (Electric Power Steering), tilt lifting, lowering, horn functions are located in the ergonomic handle; Belly button reverse safety feature allows the unit to stop and reverse to avoid collision or injury.

**CHASSIS AND MAST:** Robotic Welding; Heavy duty steel chassis with I-beam mast for durability; Telescoping mast.



# Counterbalance Stacker



MODEL #	LOAD	MAST	LIFT HEIGHT	MAX MAST HEIGHT	TOTAL LENGTH	SERVICE WEIGHT
EK14-130Li	3300 lbs.	84"	130"	155"	105"	3750 lbs.



1761 W. Holt Ave. Pomona, CA  
91768 USA T: (877) 232-6517  
F: (909) 222-6861

AUTHORIZED DEALERS ONLY  
[www.ekkolifts.com](http://www.ekkolifts.com)