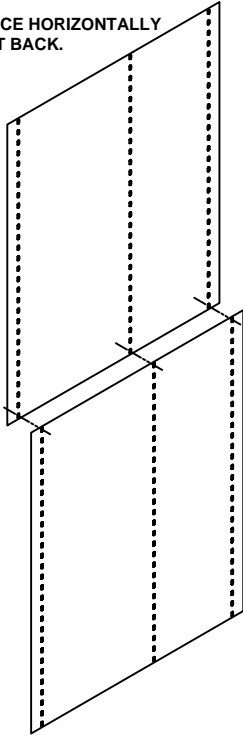


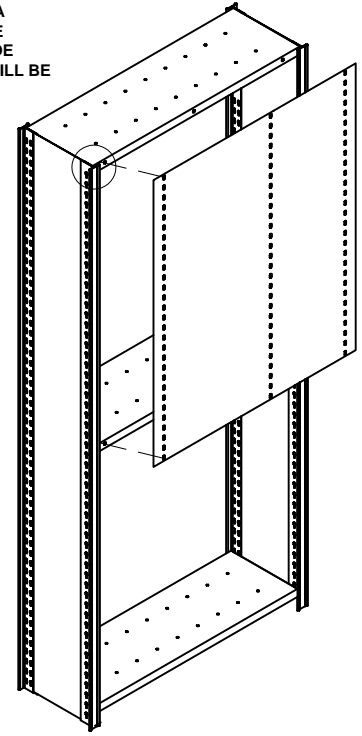
8000 SERIES BACKS

HORIZONTAL BACK ASSEMBLY

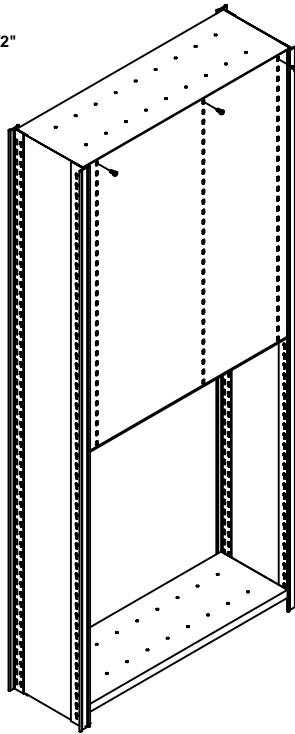
2-PIECE HORIZONTALLY
SPLIT BACK.



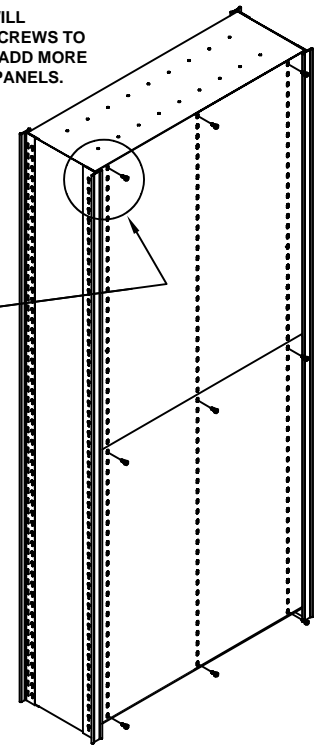
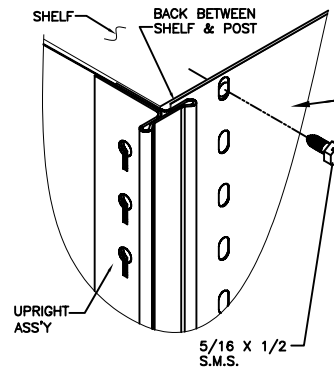
1. TO INSTALL, SLIDE ONE SIDE OF A
HALF BACK SECTION BETWEEN THE
BACK OF THE SHELF AND THE INSIDE
OF THE TEE POST. TOP OF BACK WILL BE
FLUSH WITH TOP OF SHELF.



2. ONCE THE HALF SECTION IS IN PLACE
AND THE HOLES LINE UP, ATTACH BACK
TO SHELF FLANGE WITH THREE 5/16" X 1/2"
SHEET METAL SCREWS.
DO NOT TIGHTEN THE SCREWS FOR
NOW (JUST ENOUGH TO HOLD THE
PANEL IN PLACE UNTIL THE OTHER
SIDE IS ASSEMBLED).



3. ASSEMBLE THE REMAINING HALF BACK
BY REPEATING STEP 1. THE HALF BACKS WILL
OVERLAP. USE 5/16" X 1/2" SHEET METAL SCREWS TO
SECURE THE BACKS IN PLACE AS SHOWN. ADD MORE
SCREWS AS REQUIRED TO EVEN OUT THE PANELS.



**IN NEED OF
ASSEMBLY ASSISTANCE?**

Contact us direct for fast friendly service (800) 433-8488

Int'l calls (630) 892-8941 | WEB: WWW.LYONWORKSPACE.COM | Fax (800) 367-6681

ASSEMBLY INSTRUCTIONS
FOR LYON SINGLE LEVEL
8000 SERIES SHELVING

LYON LYON WORKSPACE PRODUCTS
P.O. BOX 671
AURORA, IL 60507

9306-DA