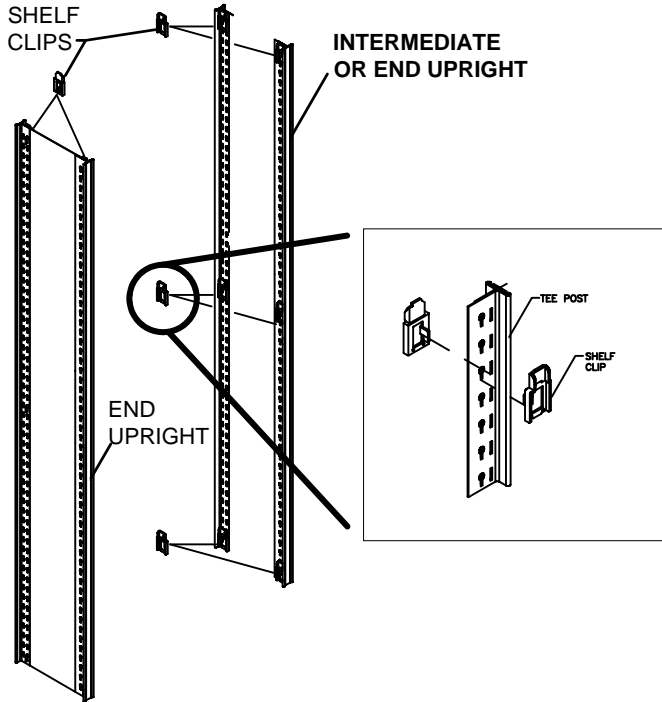


ASSEMBLY SEQUENCE

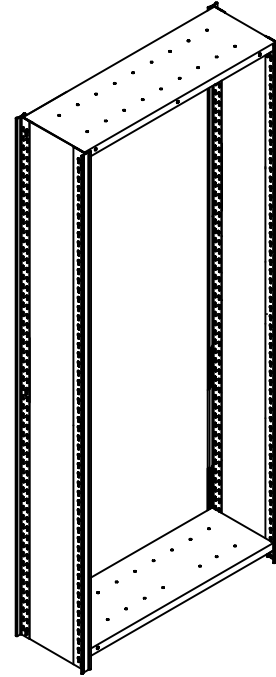
STEP 1

ASSEMBLE SHELF CLIPS TO POSTS



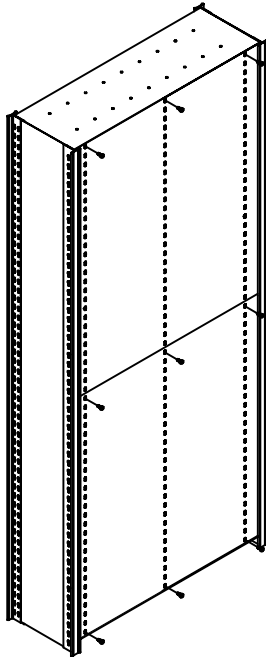
STEP 2

ASSEMBLE TOP AND BOTTOM SHELVES TO FRAME UNIT



STEP 3

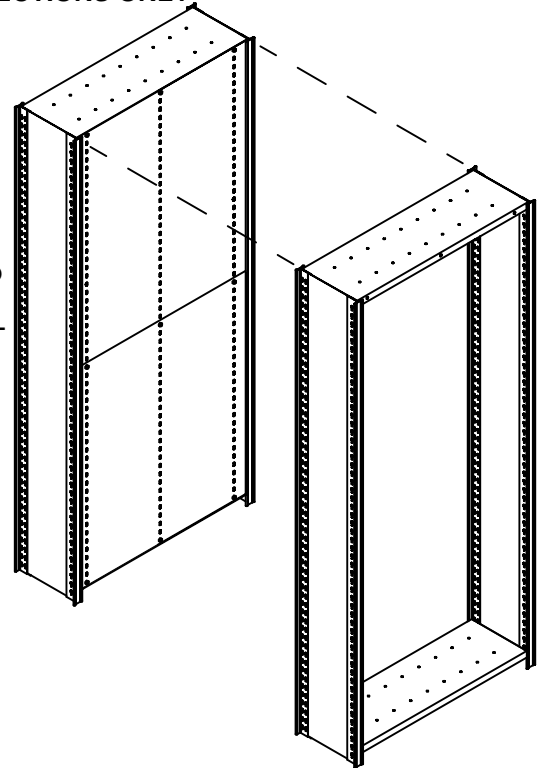
SEE #9306-DA INSTRUCTIONS FOR ASSEMBLY OF SPLIT BACK.



STEP 4

ASSEMBLY USED FOR BACK TO BACK SECTIONS ONLY

IN BACK TO BACK SECTIONS, TWO SECTIONS ARE PLACED TOGETHER. END TIE CLIPS ARE TO BE USED AS SHOWN IN DETAIL 5. END TIE CLIPS ARE TO BE USED TYPICALLY ON ALL END UPRIGHTS AND AT LEAST EVERY THIRD INTERMEDIATE UPRIGHT IN THE RUN.



IN NEED OF ASSEMBLY ASSISTANCE?

Contact us direct for fast friendly service (800) 433-8488

Int'l calls (630) 892-8941 | WEB: WWW.LYONWORKSPACE.COM | Fax (800) 367-6681

ASSEMBLY INSTRUCTIONS
FOR LYON SINGLE LEVEL
8000 SERIES CLOSED
SHELVING

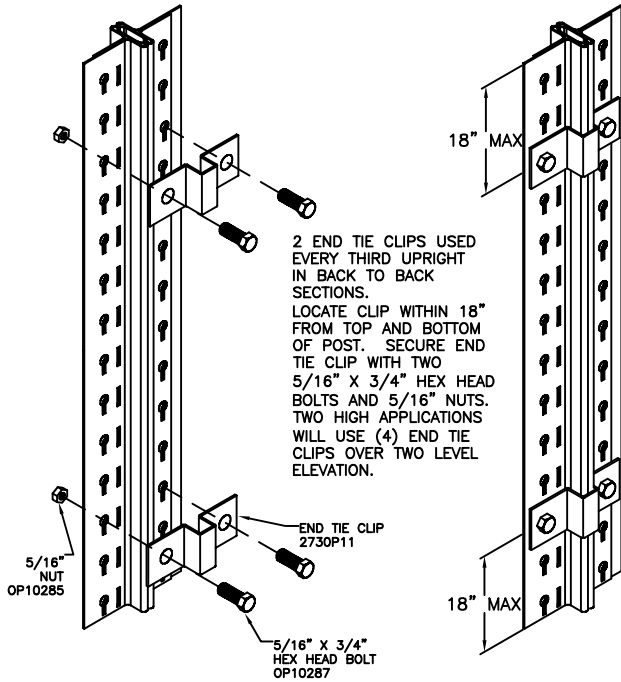
LYON LYON WORKSPACE PRODUCTS
P.O. BOX 671
AURORA, IL 60507

9308DA

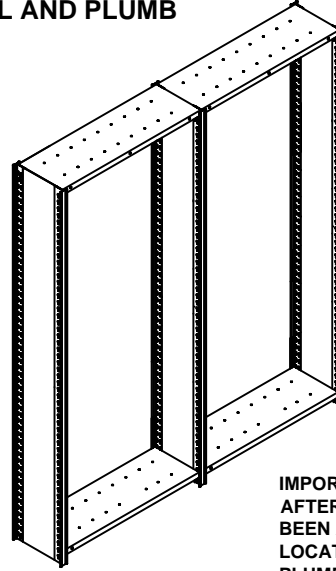
SHEET 1 OF 2

ASSEMBLY SEQUENCE

STEP 5 END TIE CLIP ASSEMBLY ONLY FOR BACK TO BACK SECTIONS

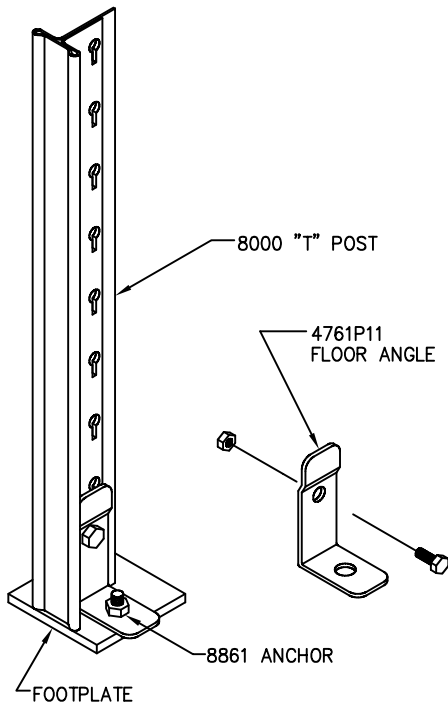


STEP 6 LEVEL AND PLUMB

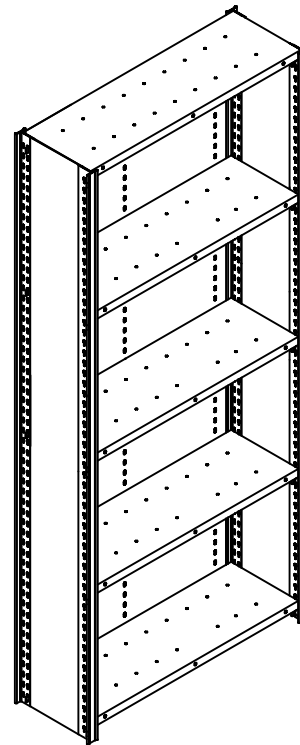


IMPORTANT NOTE:
AFTER A ROW OF SHELVING HAS BEEN ASSEMBLED AND ACCURATELY LOCATED, CAREFULLY LEVEL AND PLUMB THE UNITS AS REQUIRED. DO THIS BY PLACING ONE OR MORE FLOOR PLATES/SHIMS UNDER EACH UPRIGHT POST WHERE REQUIRED.

STEP 7 ANCHOR POSTS TO FLOOR



STEP 8 FILL IN REMAINDER OF SHELVES WITHIN SECTION



IN NEED OF ASSEMBLY ASSISTANCE?

Contact us direct for fast friendly service (800) 433-8488

Int'l calls (630) 892-8941 | WEB: WWW.LYONWORKSPACE.COM | Fax (800) 367-6681

ASSEMBLY INSTRUCTIONS
FOR LYON SINGLE LEVEL
8000 SERIES CLOSED
SHELVING

LYON LYON WORKSPACE PRODUCTS
P.O. BOX 671
AURORA, IL 60507

9308DA

SHEET 2 OF 2