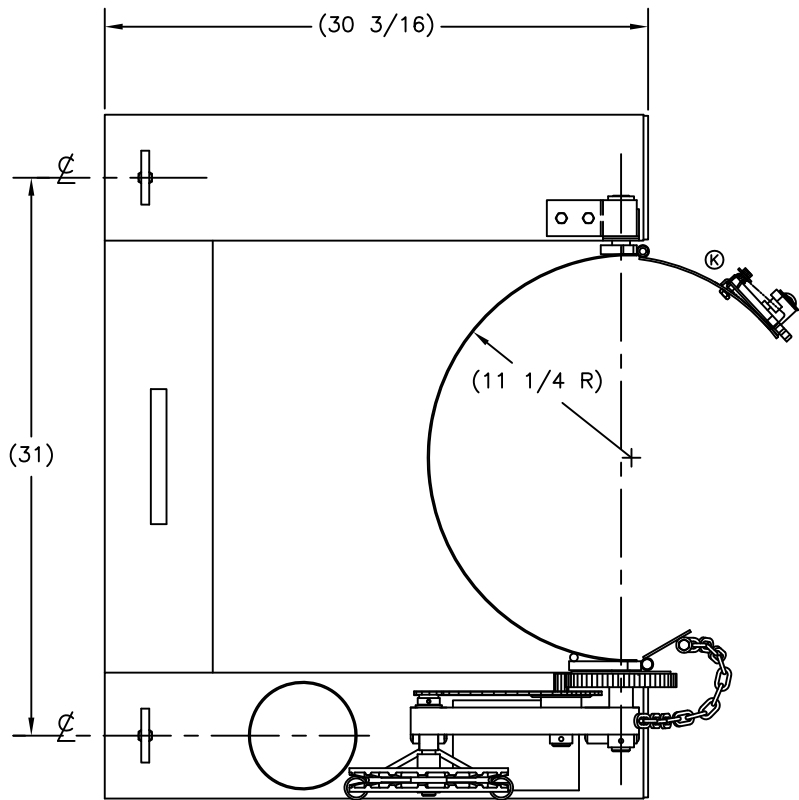


240039



FORK TRUCK DRUM LIFTER/TILTER

- Fork truck driver does not have to leave truck to dispense.
- Offers versatile drum dispensing capabilities that do not require hoists.
- Geared design allows controlled dumping and dispensing
- Does not require any modifications to the fork truck.
- Ship assembled and boxed.
- Adapters available for 30 gallon and fiber drums.

OPTIONS

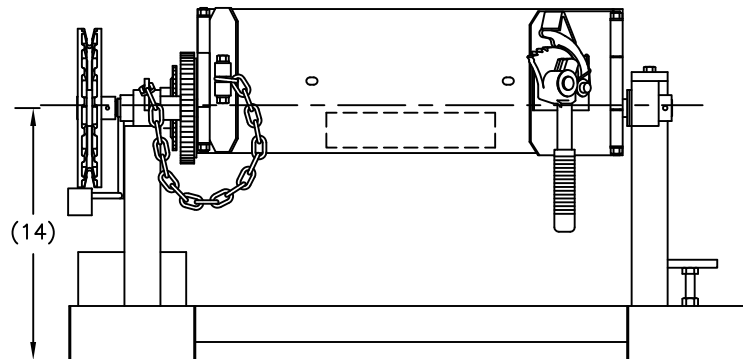
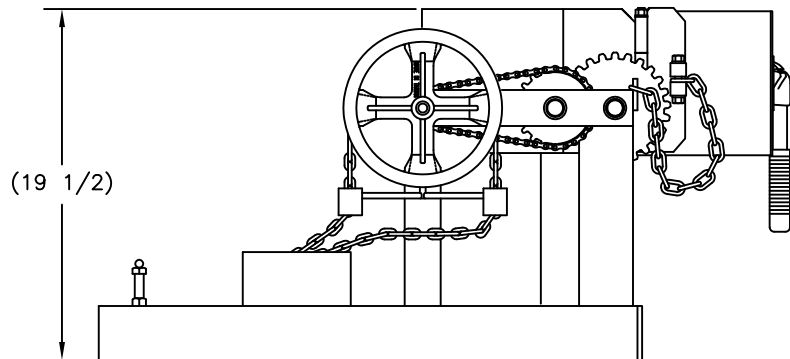
270240 DGF-30A for use with 30 gallon drums
270402 FBA for use with fiber drums.

P/N 240039

Model: DGF-55
Capacity: 800 lbs (full drum)
500 lbs (half drum)
Boxed: Yes

Specifications:

Height: 20.5"
Wide: 38"
Deep: 32.5"
Chain length: 144"
Fork pocket dimensions (ID) 6.625" x 2.625"
Fork pocket dimensions center to center 31"



REPLACEMENT PARTS LIST

1	051991	CHAIN TIGHTENER W/GRIP	1
	054071	RATCHET HANDLE	1
	101242	HANDGRIP, 3/4 ID, BLACK	1
2	270411	ASS'Y: TIGHTENER GRAB CLAW	1
	150321	CLAW	1
3	054027	SADDLE ASSEMBLY	1
4	270240	30 GALLON CONVERTER KIT (DGF)	1
5	051816	DRIVE CHAIN	1
	101108	DRIVE CHAIN (#35 ROLLER)	2'
6	101113	SPROCKET: ROLLER CHAIN 3/4 BORE-36 TEETH	1
7	101114	SPROCKET: ROLLER CHAIN 3/4 BORE-12 TEETH	1
8	051351	BRONZE BUSHING SET - PCS. (DGF)	1
9	270403	KIT: REPLACEMENT GEAR DGF/DGL SERIES	1
	051877	SPACER (1 1/8")	1
	101124	WOODRUFF KEY (#9)	1
	151492	SPUR GEAR	1
	151493	PINION GEAR	1
10	270409	KIT: CHAIN WHEEL DGF-55/DGL-55	1
	054191	CHAIN WHEEL SHAFT WELDMENT	1
	054192	GUIDE ARM WELDMENT	1
	054193	PULL CHAIN (140")	1
	108970	CHAIN WHEEL	1
11	053417	CHAIN (36")	1
12	054193	PULL CHAIN (DGL/DGF)	1
13	051892	BEARING BLOCK WELDMENT	1
14	109702	CORRUGATED BOX	1

OPTION

270402 FBA: ADAPTER DRUM LIFT/CARRIER

* NOT SHOWN

PRINT ISSUED

JUNE 18 2007

WESCO MANUFACTURING
ENGINEERING DEPARTMENT

THIS DRAWING IN ALL PARTICULARS IS WESCO MFG. CO. PROPERTY. ALL RIGHTS OF DESIGN, INVENTION OR USE OF ARE RESERVED.

WESCO MANUFACTURING CO.
NORTH WALES PENNA. 19454

REV. ECH & DATE	PART NAME		DRWNG: SKH 10-19-93
	DGF-55		CHECKED: DS 10-25-93
	TOLERANCE UNLESS OTHERWISE SPECIFIED		APP. ENGR.
	FRACTION	3 PLACE DECIMAL	2 PLACE DECIMAL
± 1/64	± .005	± .01	SCALE: 3/16" = 1"
ANGULAR ± 1-1/2°	SHEET 1 OF 1		C- 240039 REV R
BREAK ALL SHARP EDGES AND REMOVE ALL BURRS			