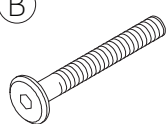

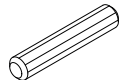
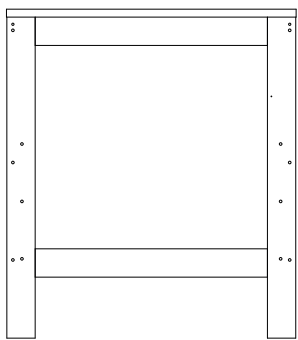
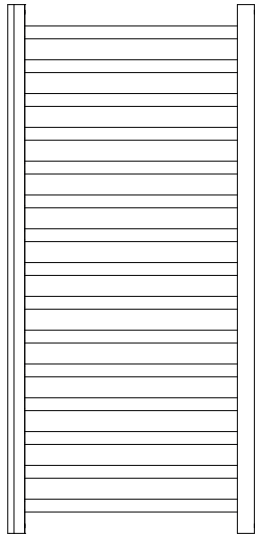
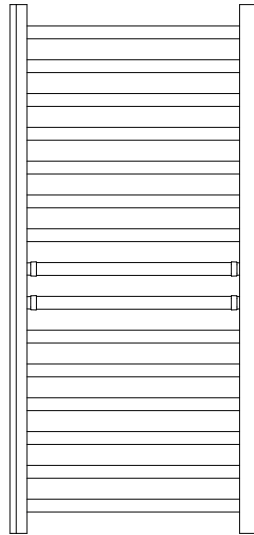
 <p>(A)</p>	 <p>(B)</p>	 <p>(C)</p>	 <p>(D)</p>
X1	M6x50 X12	Ø10x13 X12	Ø6x32 X4



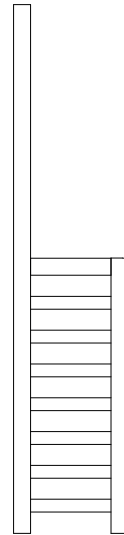
① x2



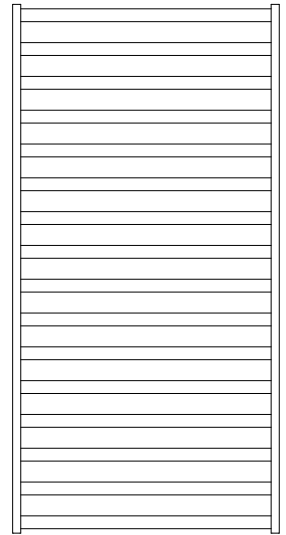
②



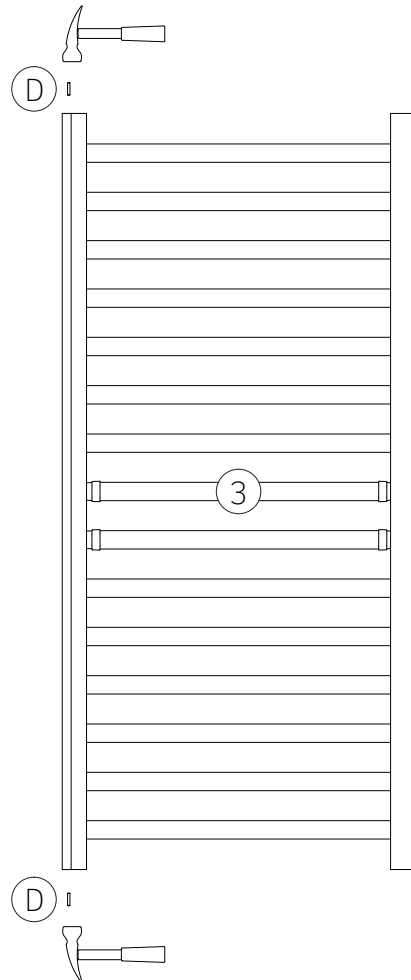
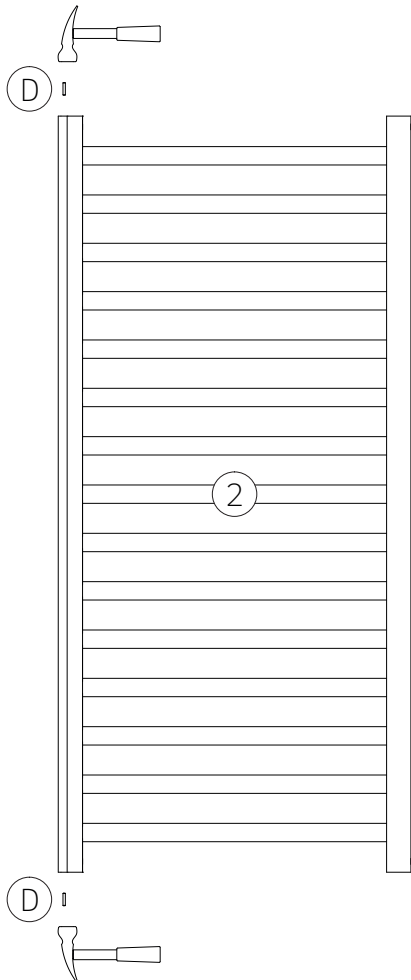
③

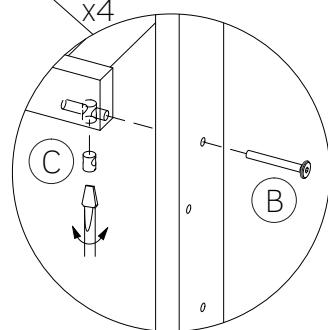
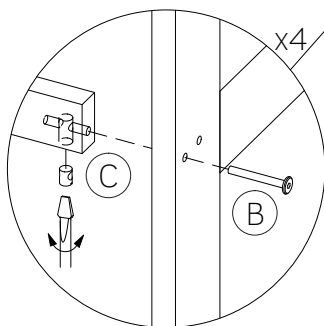
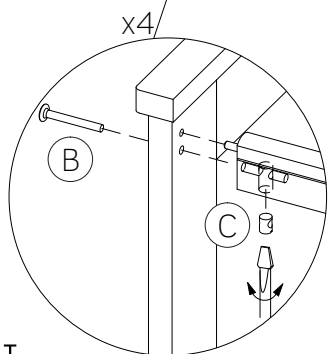
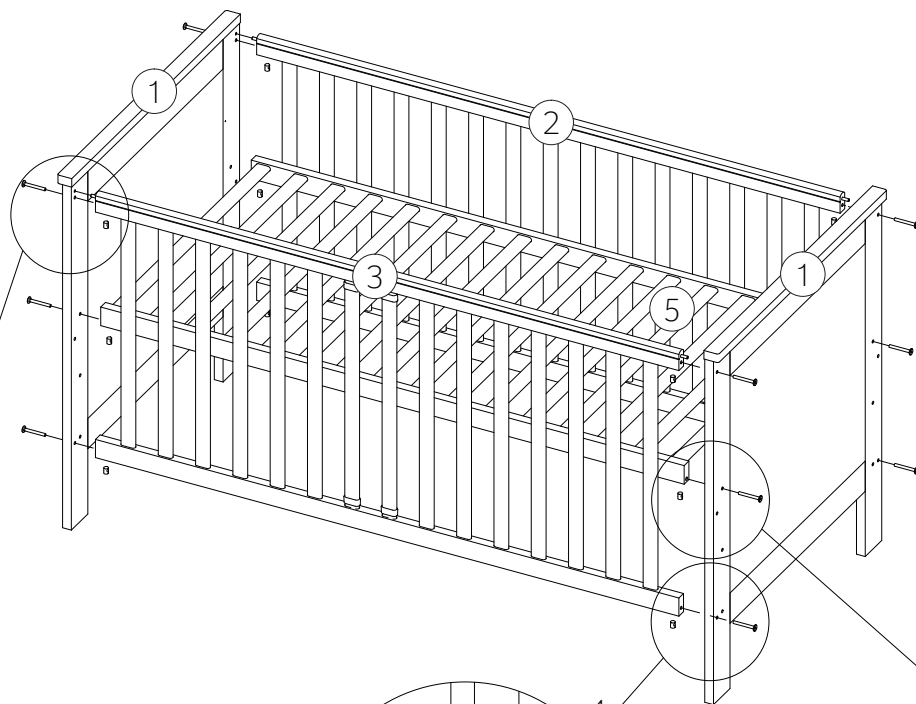


④

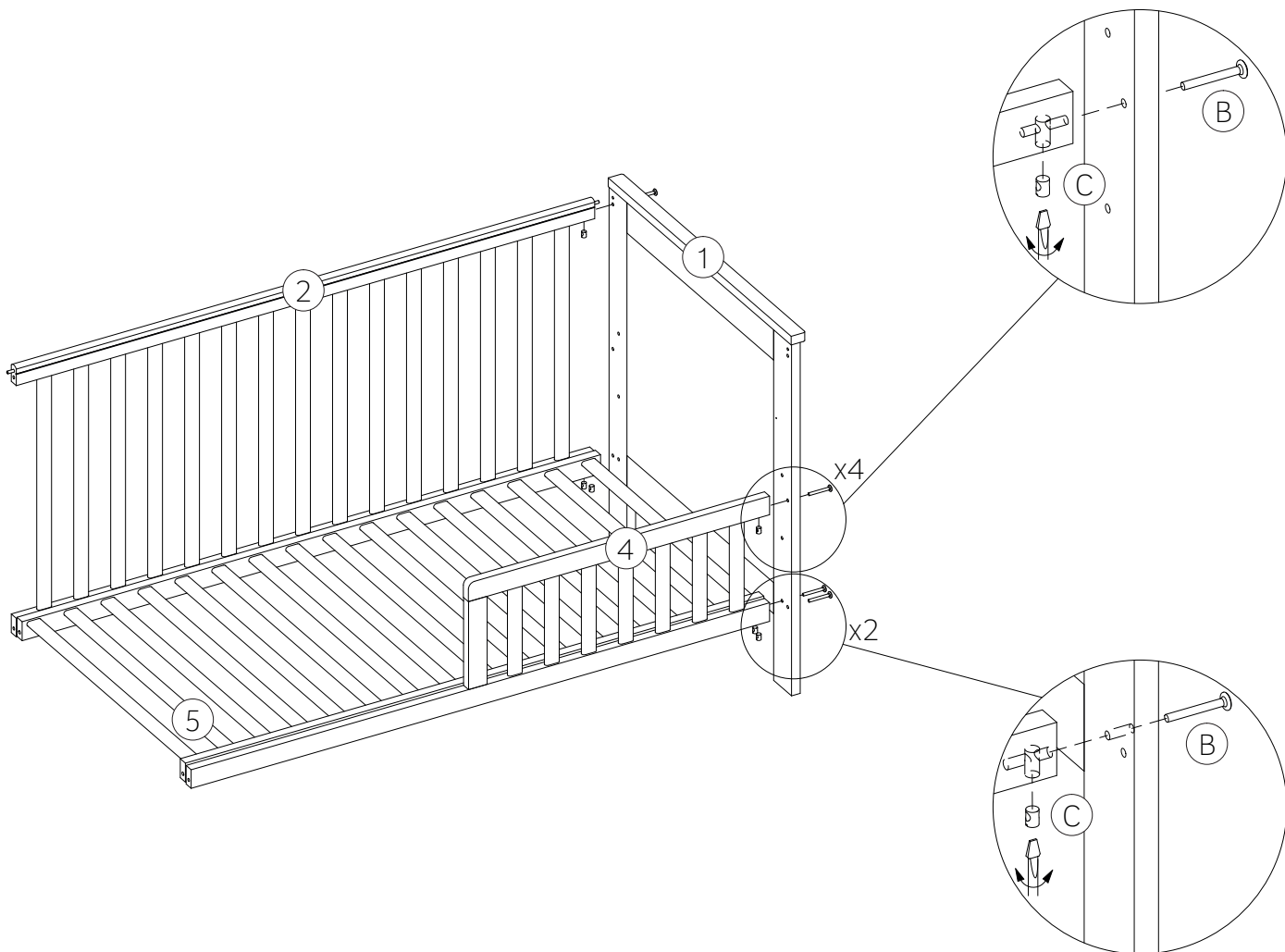


⑤

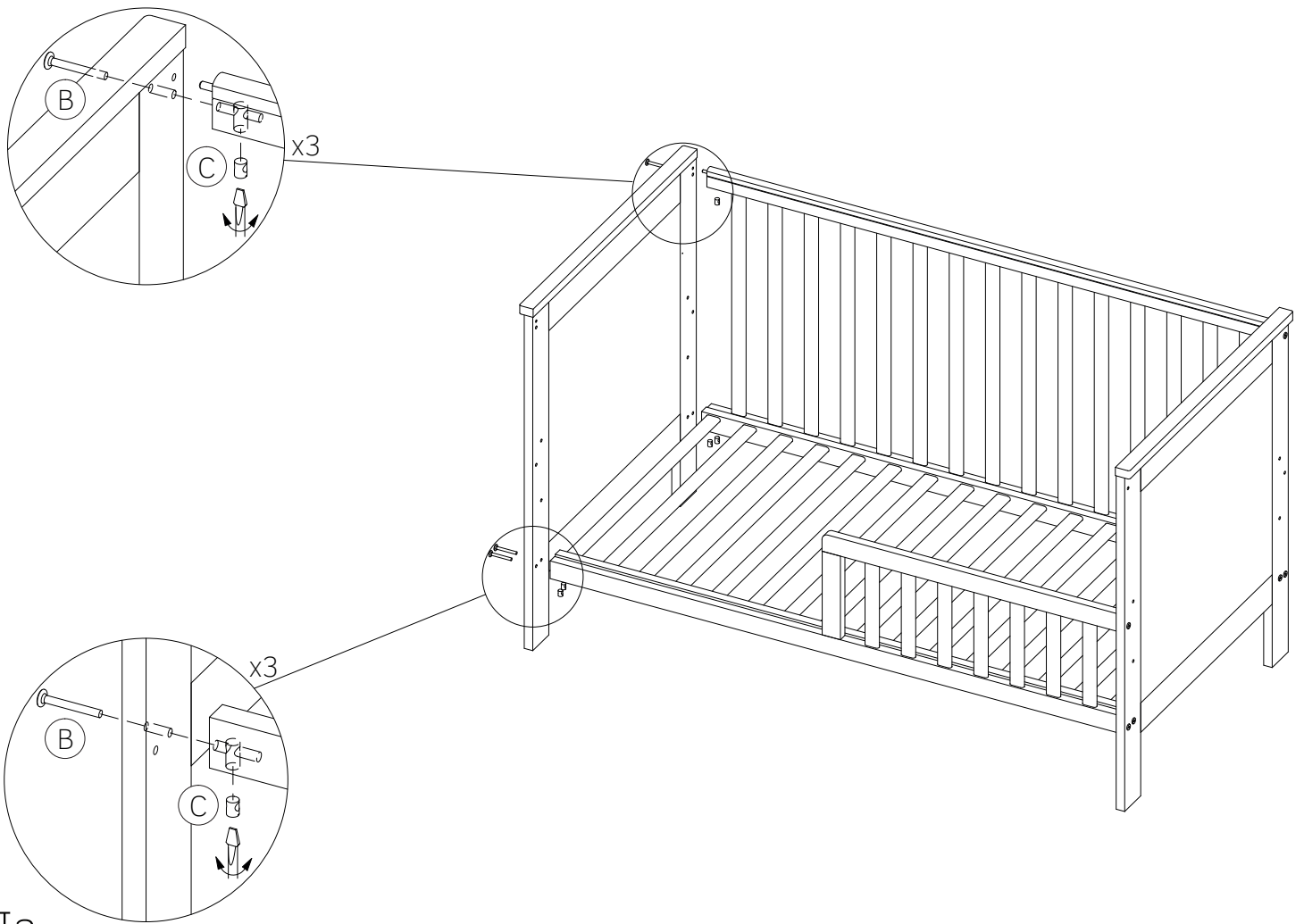




II



Ia



IIa

