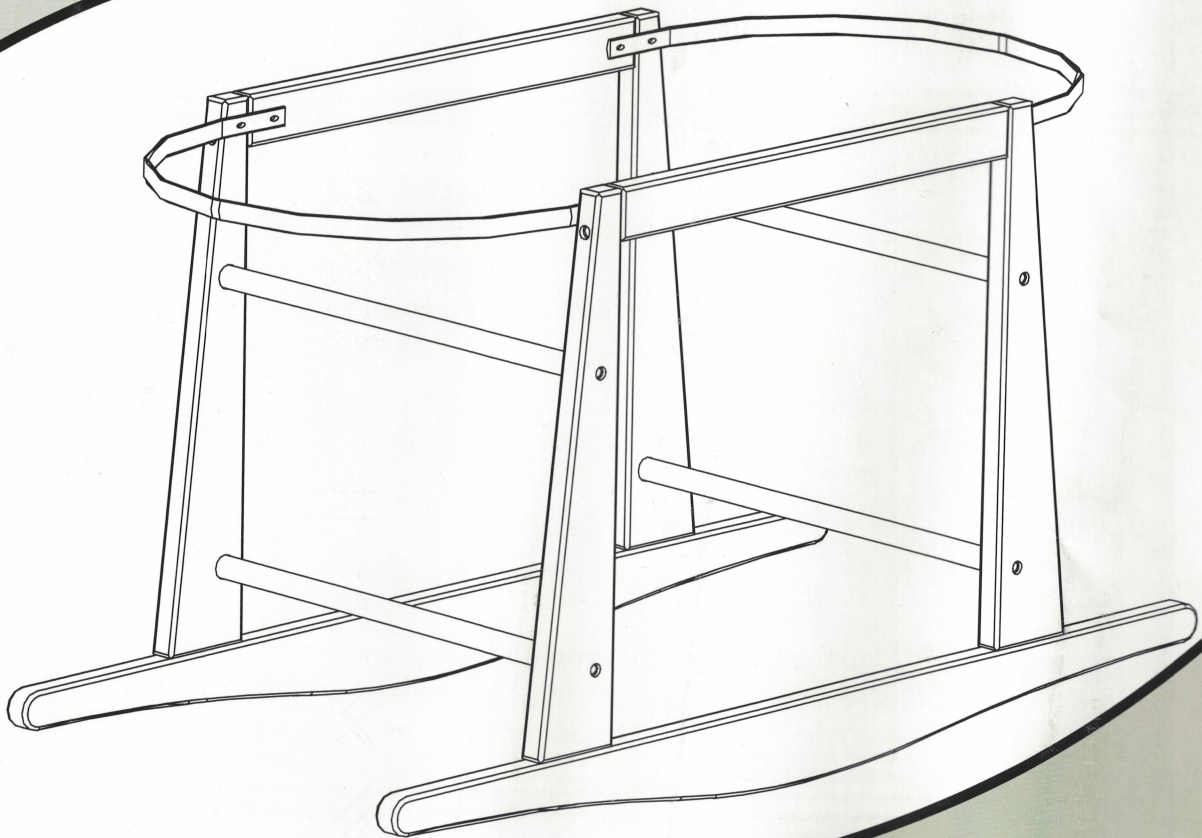


# Plush



## ROCKING MOSES BASKET STAND

### ASSEMBLY INSTRUCTIONS

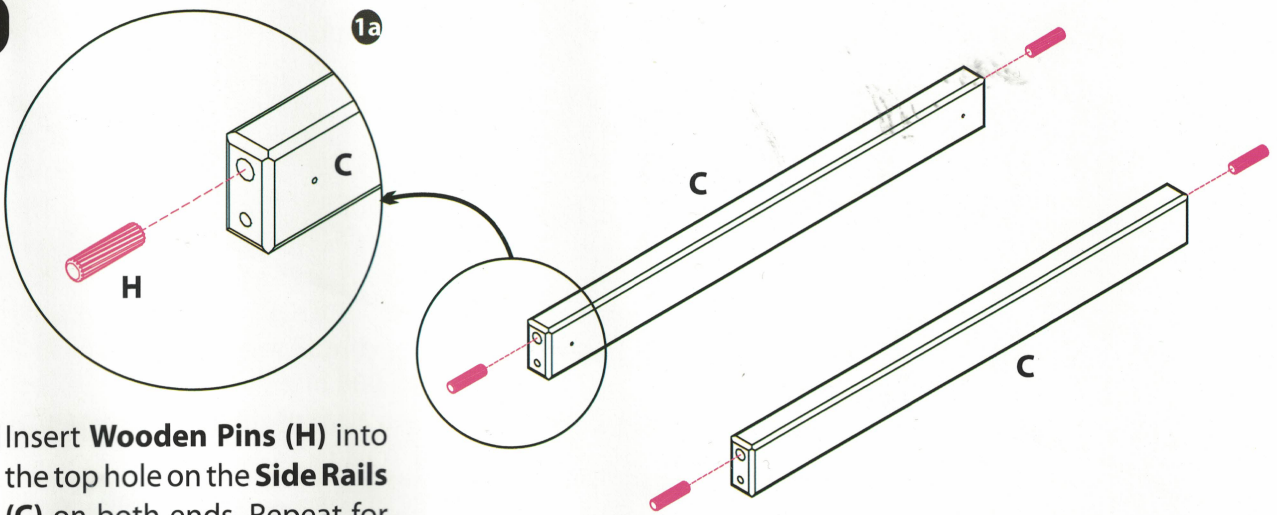
**IMPORTANT** — Read the instructions carefully before use and keep them for future reference

Read back page **BEFORE** beginning assembly.

**READ WARNINGS AND CHECK PARTS.**

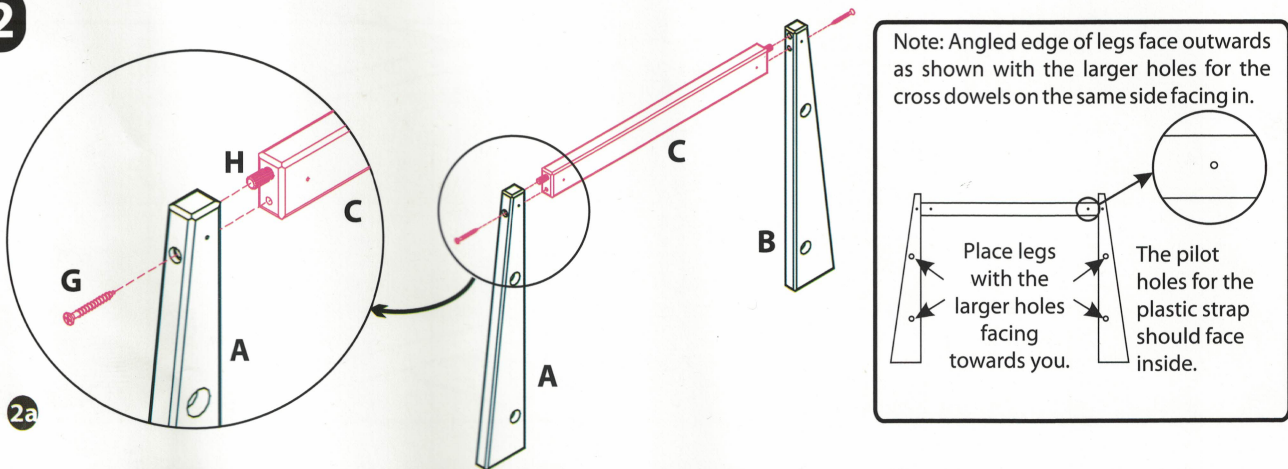
# ASSEMBLY STEPS

1



☒ Insert **Wooden Pins (H)** into the top hole on the **Side Rails (C)** on both ends. Repeat for other side rail.

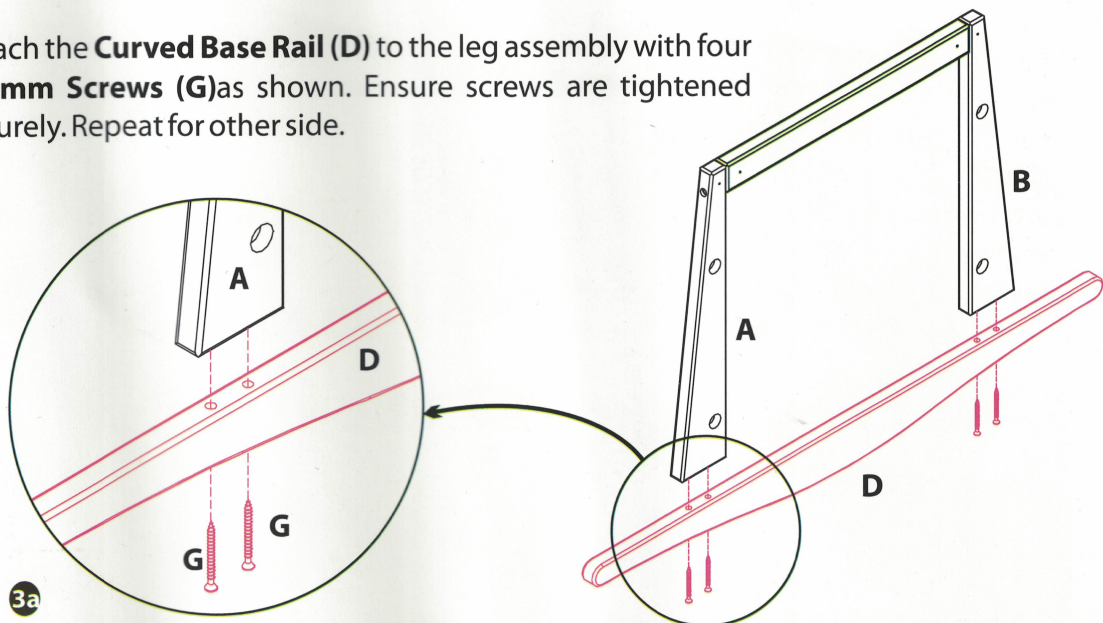
2



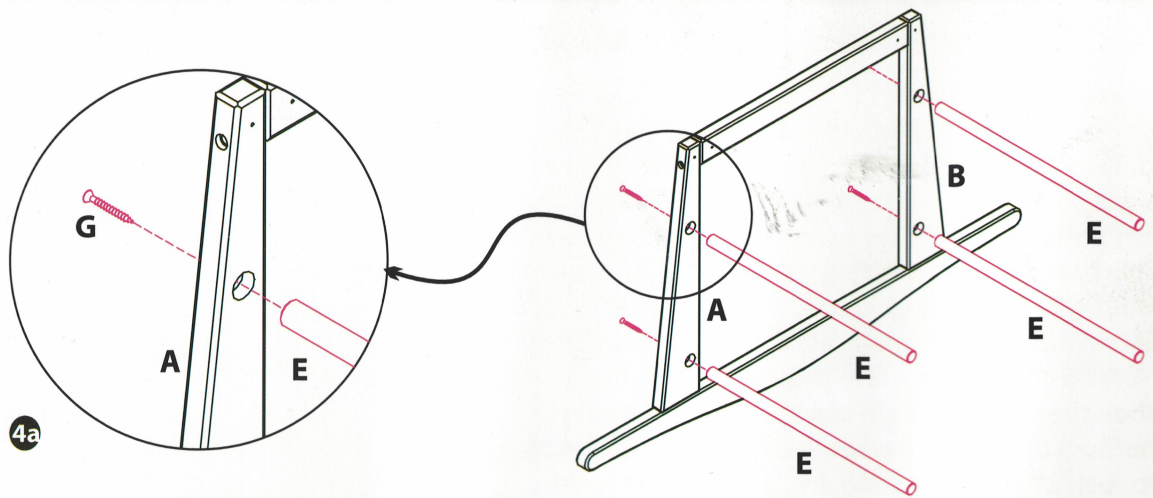
☒ To attach the **Side Rail (C)** to the **Legs (A & B)** simply line up the wooden dowels you inserted in Step 1 into the top hole on the flat surface of the legs. Ensure that you have one A leg and one B leg as shown in image. Bolt together using the **50 mm Screws (G)** tighten with Screw Driver (not supplied). Repeat for other side.

3

☒ Attach the **Curved Base Rail (D)** to the leg assembly with four **50 mm Screws (G)** as shown. Ensure screws are tightened securely. Repeat for other side.



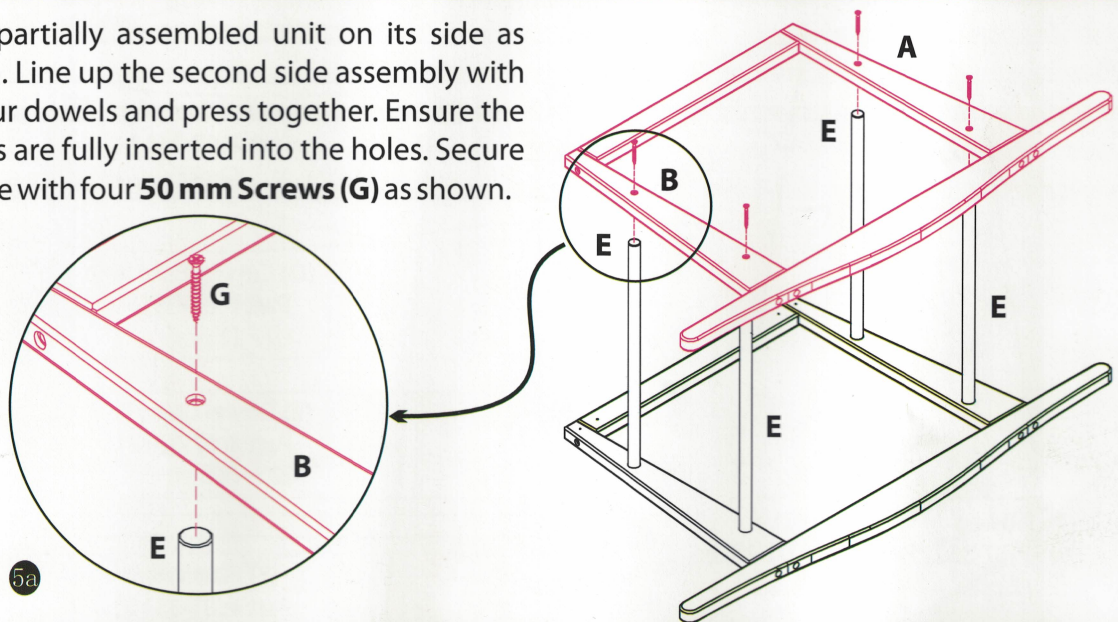
4



- ☒ Insert one of the end of the **Dowel Cross Rails (E)** into the large hole on the side assembly. The dowel should go into the hole tightly as shown in **4a**. Some gentle tapping may be required. Screw the dowel into place with a **50 mm Screw (G)** and tighten in place. Repeat for the three other ends of the dowels.

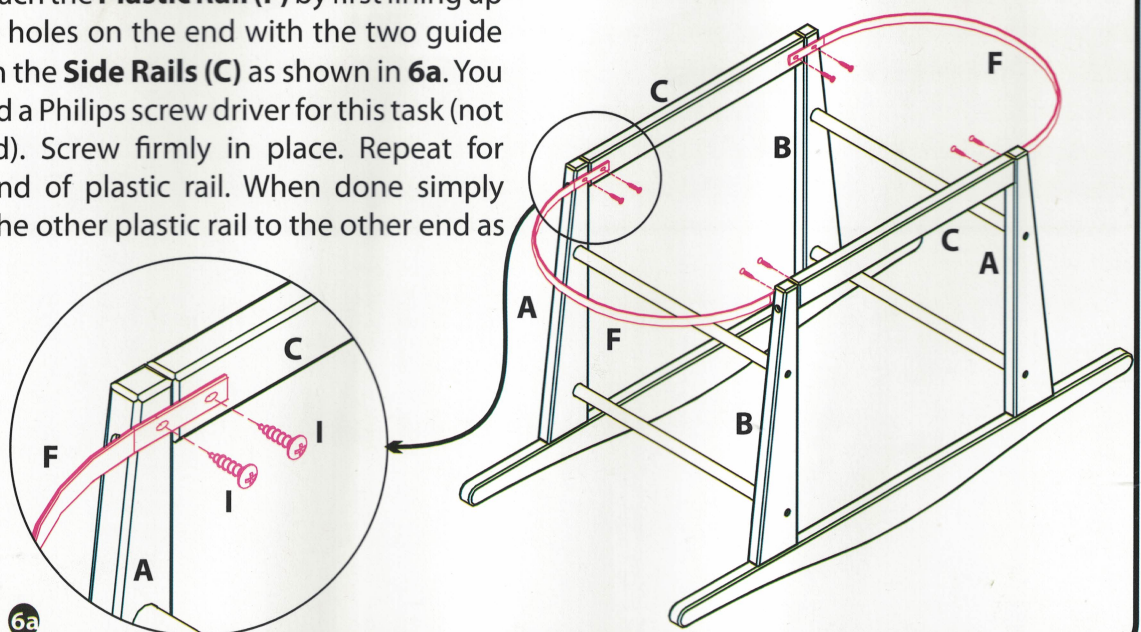
5

- ☒ Place partially assembled unit on its side as shown. Line up the second side assembly with the four dowels and press together. Ensure the dowels are fully inserted into the holes. Secure in place with four **50 mm Screws (G)** as shown.



6

- ☒ Now attach the **Plastic Rail (F)** by first lining up the two holes on the end with the two guide holes on the **Side Rails (C)** as shown in **6a**. You will need a Philips screw driver for this task (not supplied). Screw firmly in place. Repeat for other end of plastic rail. When done simply attach the other plastic rail to the other end as shown.





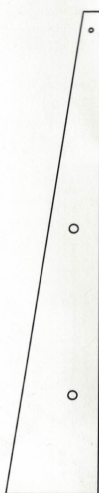
# WARNING



- ☒ If you use **POWER TOOLS** to assemble this product, use on the **LOWEST SETTING** to avoid over tightening and splitting the wood.
- ☒ **WARNING:** Do not use if any part is broken, torn or missing. Only use **Approved Parts**.
- ☒ To prevent entrapment, do not place the Moses Basket and Stand near to other objects.
- ☒ Only use in conjunction with a fully draped Moses Basket, minimum length of drape 180mm [7 inches].
- ☒ After product is assembled make sure all screws are securely tightened.
- ☒ **WARNING:** Other children should not be allowed to play unattended near the basket and stand.
- ☒ **BEFORE USE** read the **WARNINGS** on the actual Stand.
- ☒ **WARNING:** Use only on firm ground which is horizontal, dry and level.
- ☒ When the stand is not in use it must be put away.
- ☒ The Rocking Moses Basket Stand can be used with **ALL** Moses Baskets which measure between 700-835mm long and 300-370mm wide.

Regularly check that fixings are secure. Natural wood product: Clean with damp cloth.  
**DO NOT** use bleach, solvents or abrasives.

## PART LIST



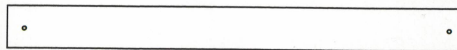
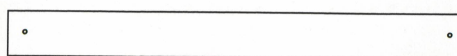
**(A)** Leg

Part #: 07-35277  
(2 pcs)



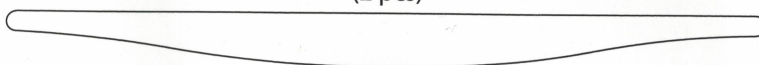
**(B)** Leg

Part #: 07-35266  
(2 pcs)



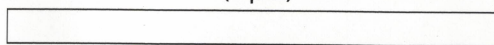
**(C)** Side Rail (One with Warning Label attached)

Part #: 07-35124  
(2 pcs)



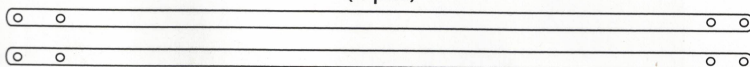
**(D)** Curved Base Rail

Part #: 07-35170  
(2 pcs)



**(E)** Dowel Cross Rail

Part #: 07-35121  
(4 pcs)



**(F)** Plastic Rail

Part #: 07-35100  
(2 Pcs)

### Assembly Hardware Set

Set #: 08-97004



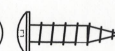
**(G)** 50mm Screw

Part #: 08-35803  
(20 pcs)



**(H)** Wood Pin

Part #: 08-35001  
(4 pcs)



**(I)** 18mm Screw

Part #: 07-01300  
(8 pcs)