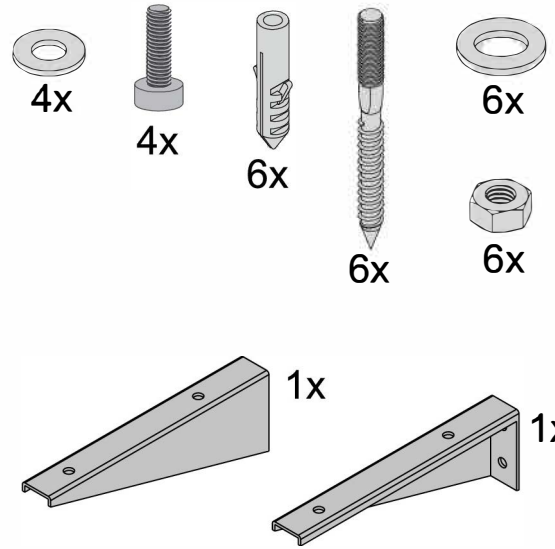
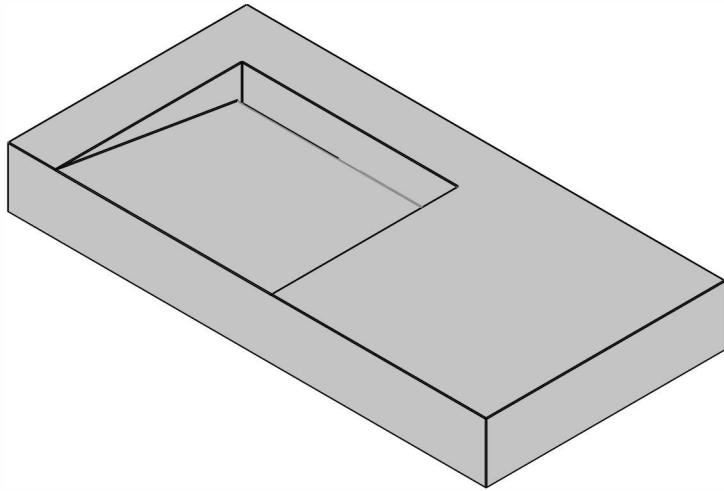


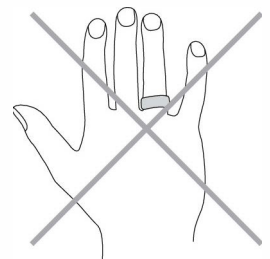
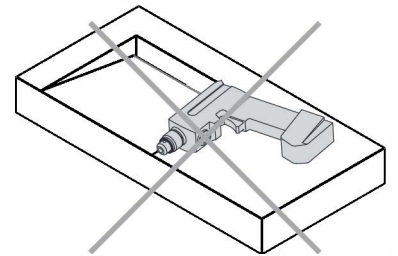
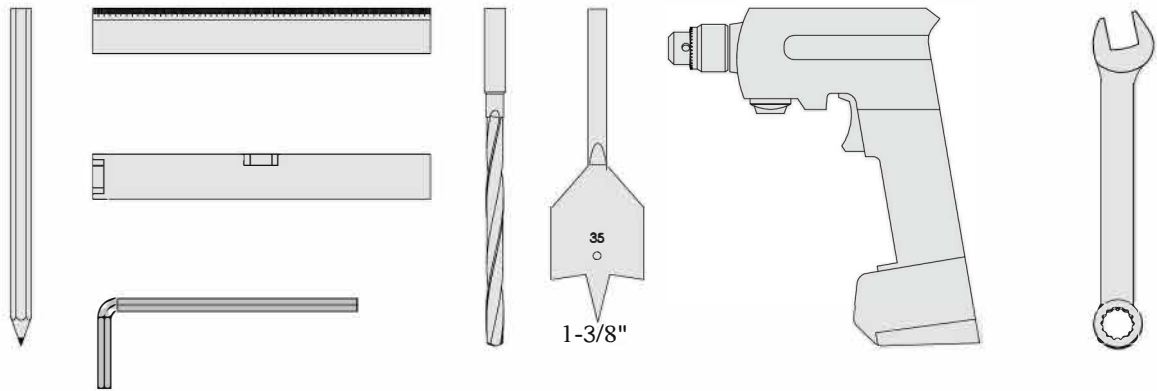
Wall Mounted Sink Installation Guide

Remark: Before starting to install any wall mounted sink, please be sure to have proper backing set in the wall between the beams. Apply this and the following guide steps to all similar wall mounted sinks.

Product and included installation components:
(smaller wall mounted sinks will not have brackets)



Installation tools:

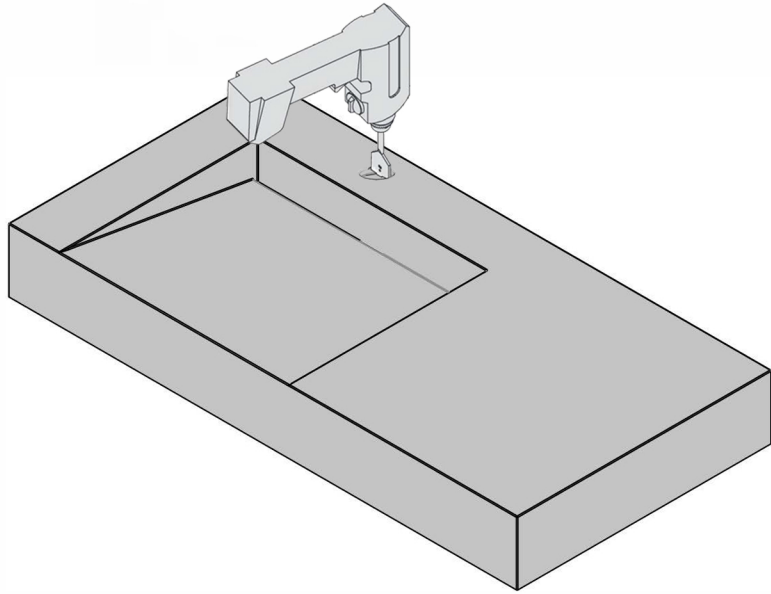


Note:

During installation, prevent damaging the surface of the fixture by placing hard objects on it or wearing any hard jewelry.

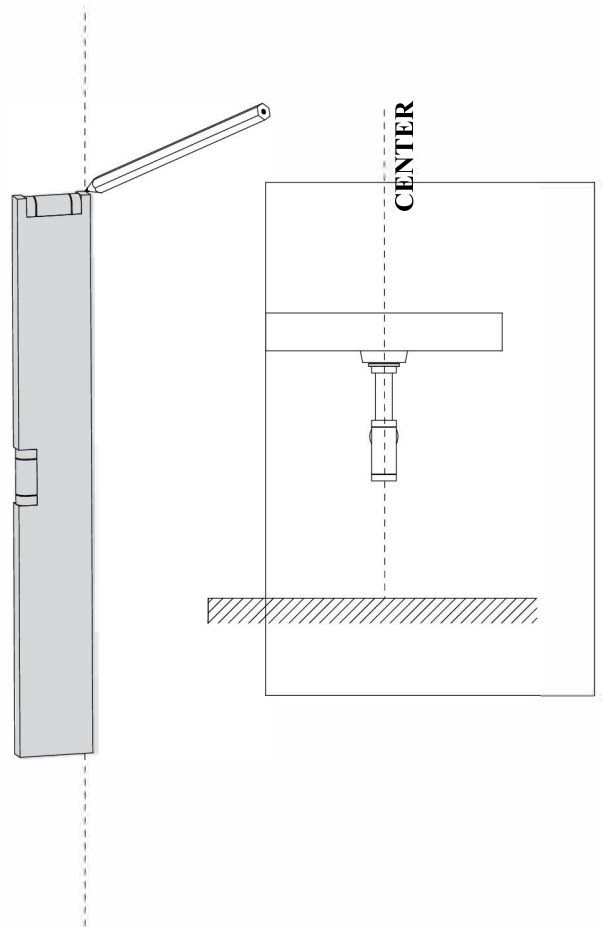
1

Drill the faucet hole(s) with a spade bit or diamond hole saw. The typical hole size is either 1-1/4" or 1-3/8". If you have a wall mounted faucet, please ignore.



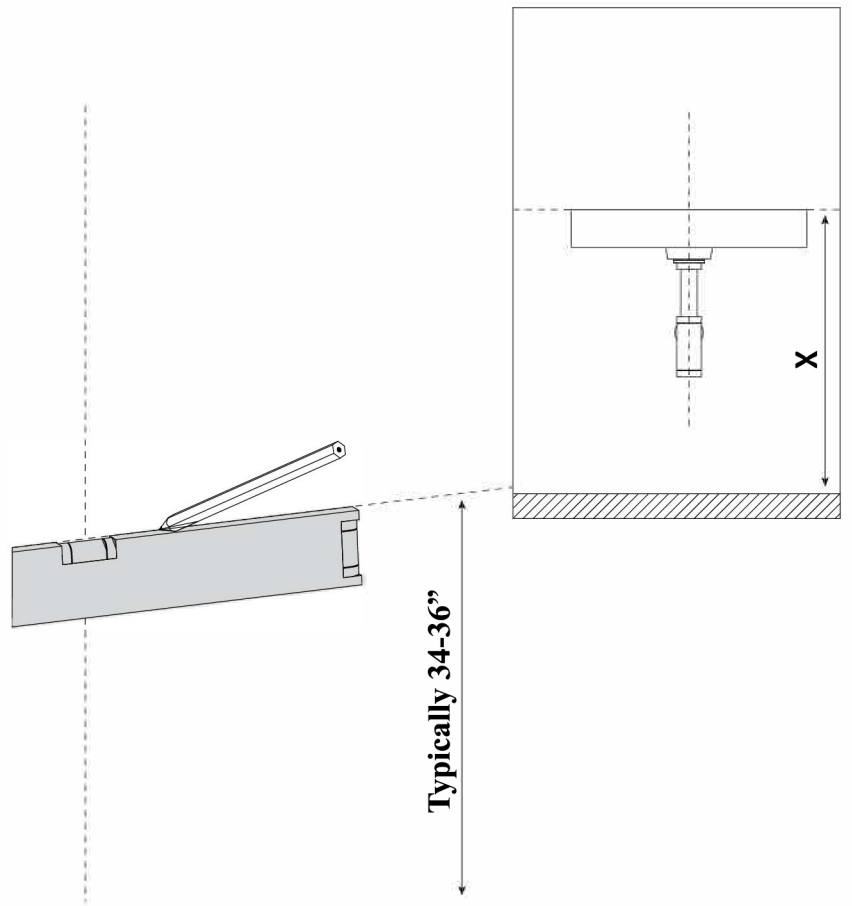
2

Draw a central line on the wall in relation to the sinks total length.



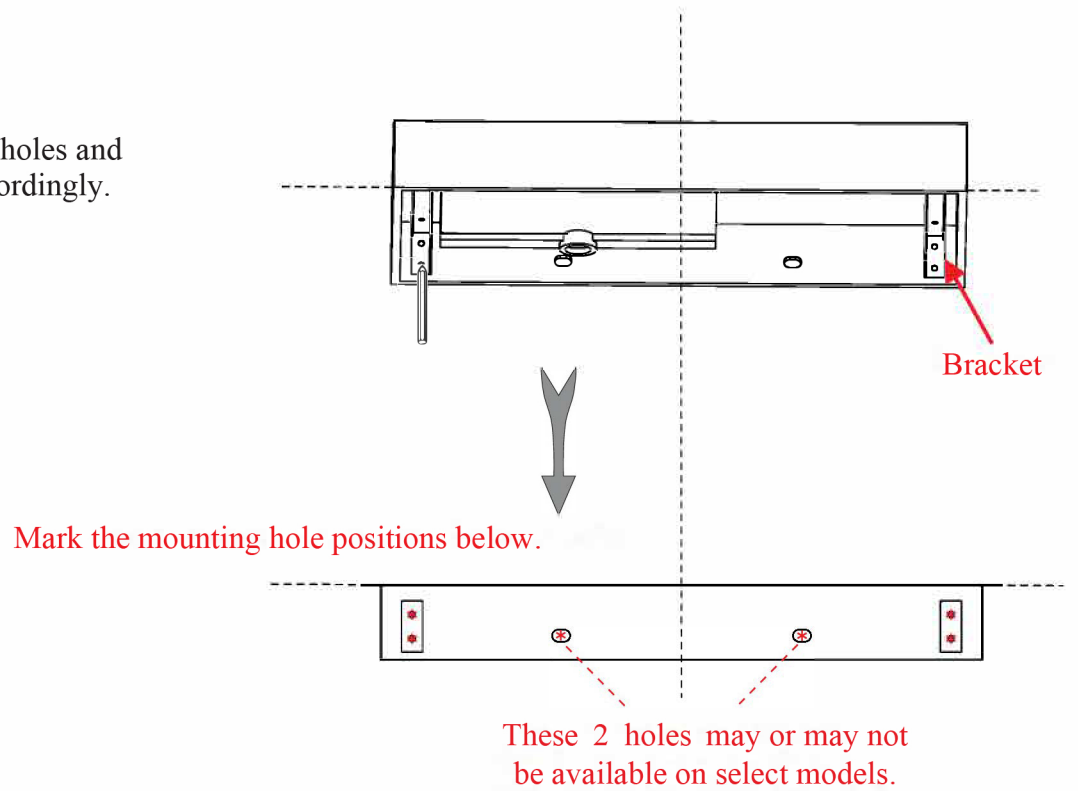
3

Mark the mounting position on the wall.



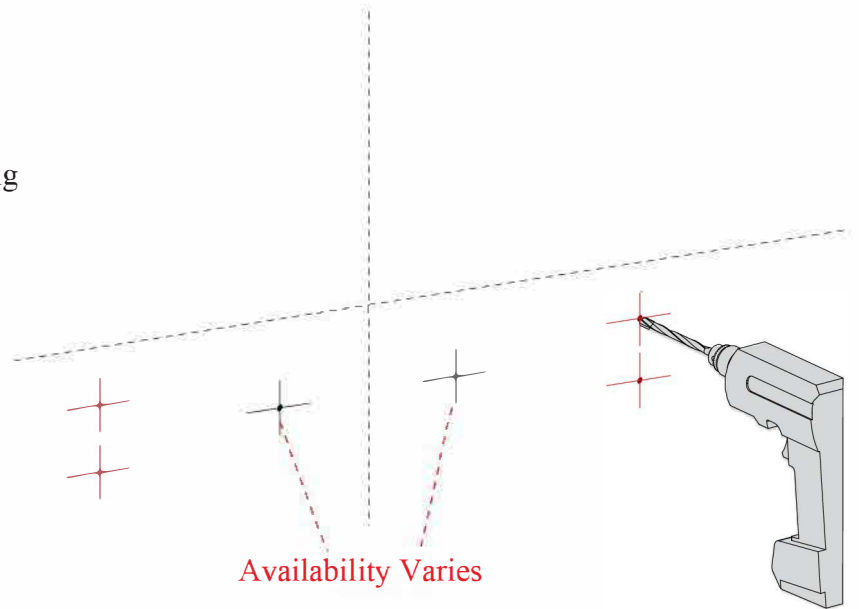
4

Check the sinks mounting holes and mark them on the wall accordingly.



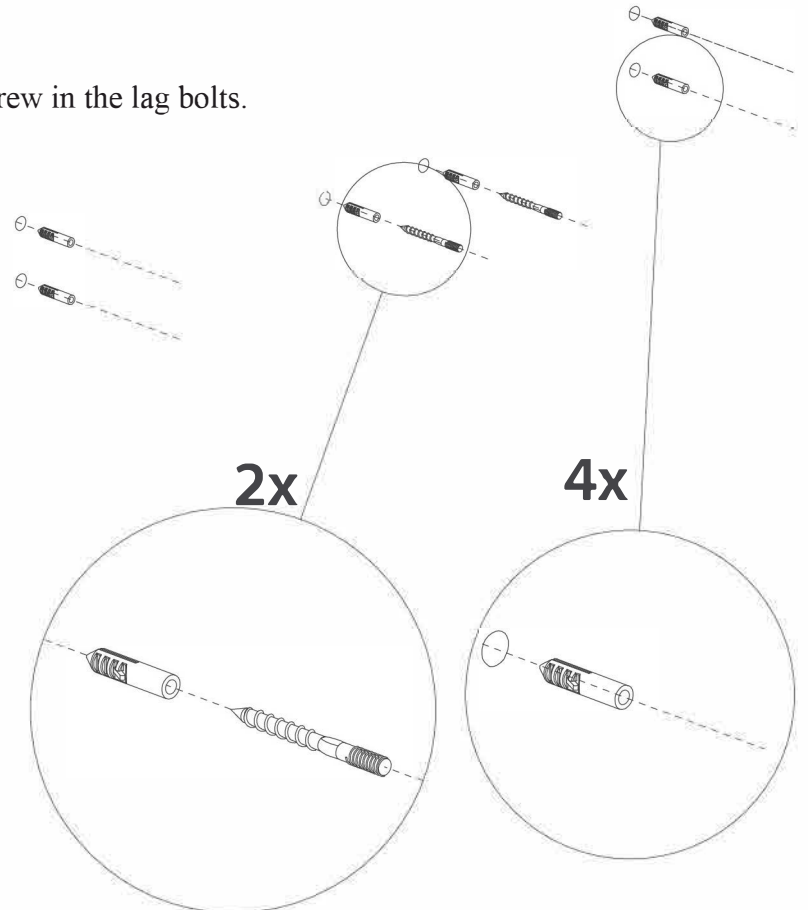
5

Drill the marked holes with the corresponding bit that will fit the dowels provided.



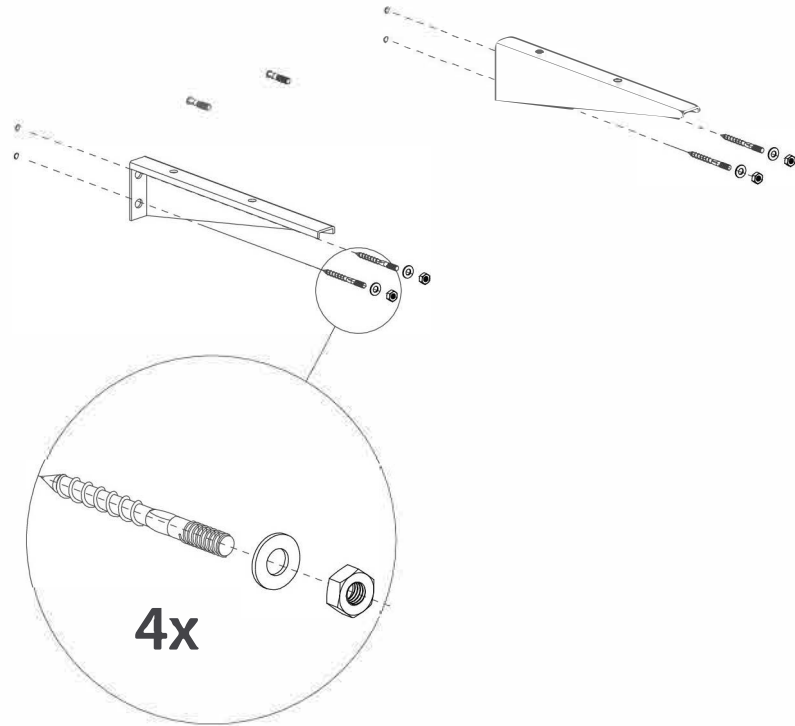
6

Insert the dowels into the holes drilled and screw in the lag bolts.



7

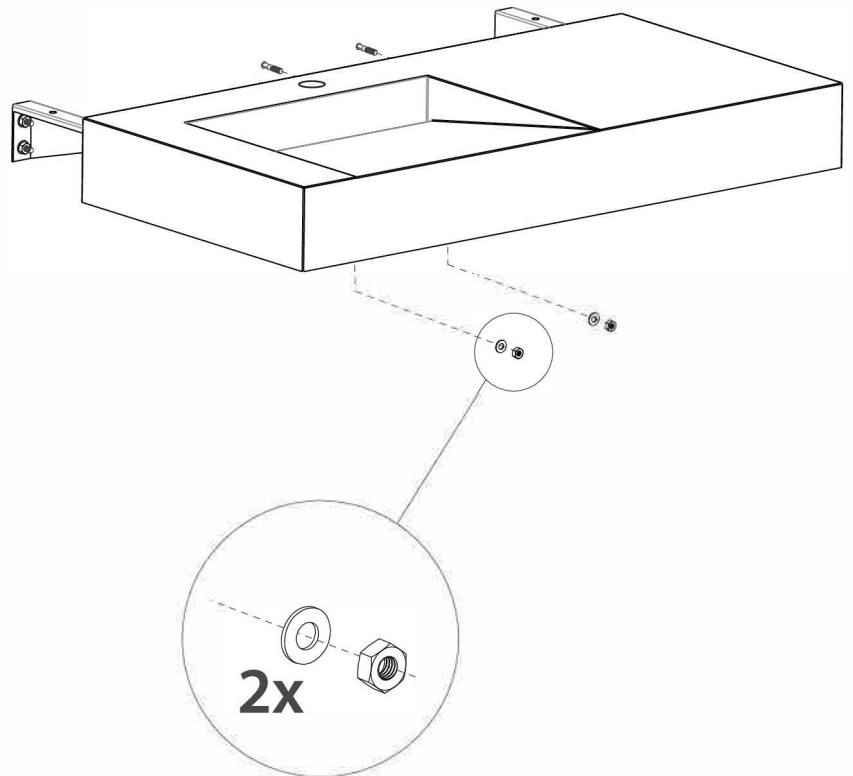
Install the brackets through the lag bolts.
Tighten the necessary nuts over the washers.



Note: If the sink is not leveled after the installation is complete, you can add washers under the brackets on the bottom lag bolts to raise the front of the sink.

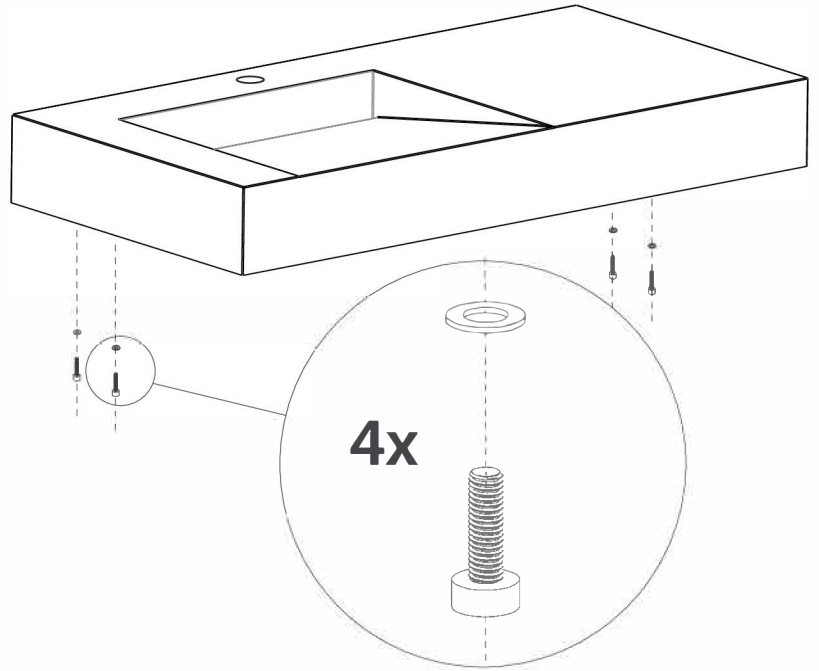
8

Place the sink through the screwed-in lag bolts and fasten the nuts above the washers to secure the sink firmly. Only hand-tighten the nuts to prevent excessive force.



9

Affix the sink onto the brackets by screwing in the provided washers and bolts. Adjust the level of the sink with a level ruler.



Note: Some sinks will not have holes in them to install these bolts. DO NOT DRILL INTO THE SINK. Instead, use 100% clear silicone (or relative adhesive) to adhere the top of the brackets to the bottom of the sink.

Finished

