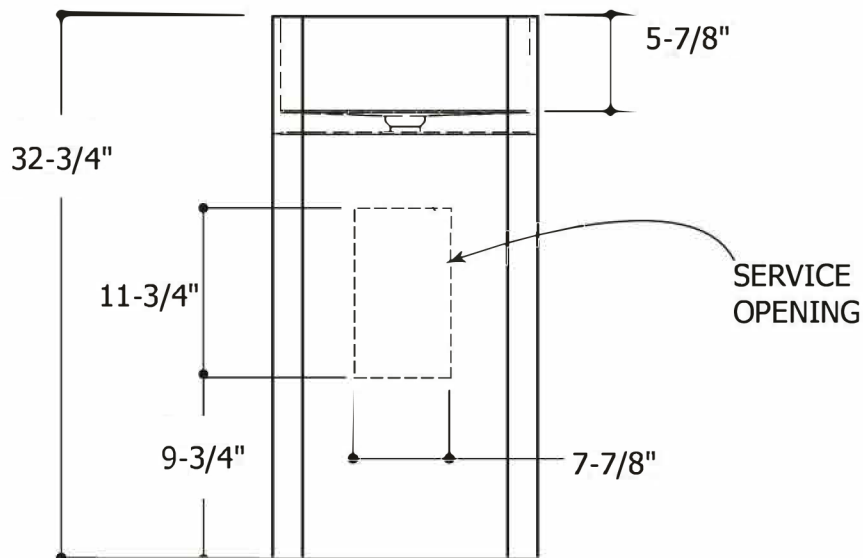
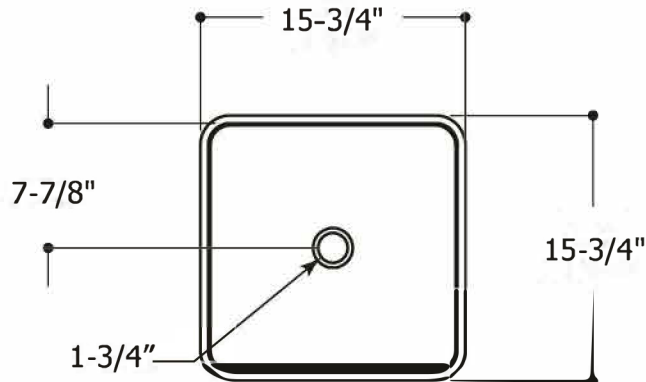


Freestanding Pedestal Sink Installation Guide



General Dimensions



CAUTION: FOR BEST RESULTS, WE STRONGLY RECOMMEND THE INSTALLATION OF THIS PRODUCT TO BE DONE BY A LICENSED PROFESSIONAL PLUMBER.



CAUTION: ALL DIMENSIONS SHOULD BE VERIFIED PRIOR TO INSTALLATION. DIMENSIONS MAY VARY DEPENDING ON THE MODEL. THE DIMENSIONS SHOWN HERE ARE FOR MODEL DW-107 FOR EXAMPLE.

Preparing the Drain

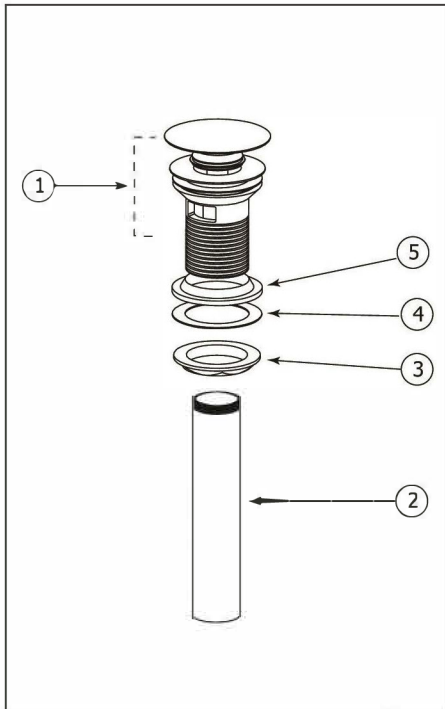


Fig.1

Installing the Drain

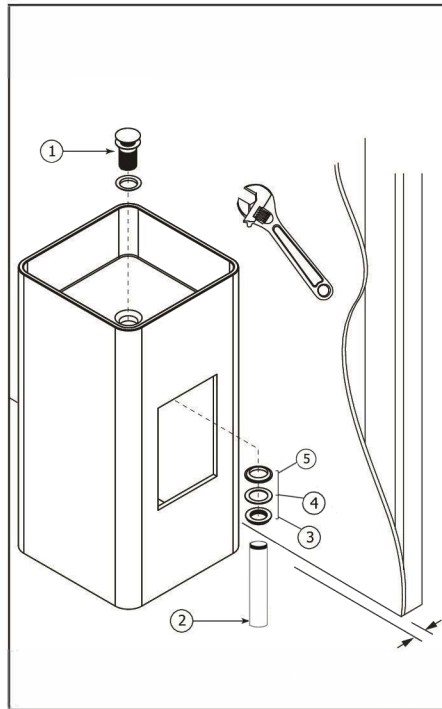


Fig.2

Finalizing the Installation

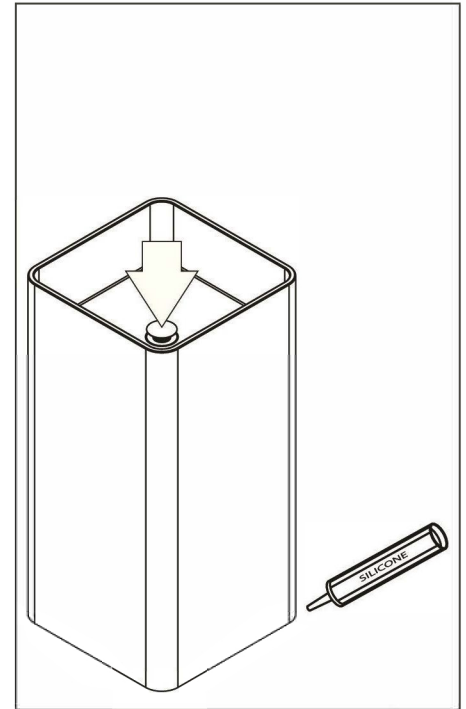


Fig.3

- Unscrew and remove the tail piece (2). Unscrew and remove the mounting nut (3), the nylon washer (4), and the silicone / rubber washer (5).
- Insert the drain base (1) and upper silicone / rubber washer through the drain hole of the sink.
- Place the lower silicone / rubber washer (5) followed by the nylon washer (4) on to the drain base (1).
- Screw the mounting nut (3) on to the drain base (1) by hand with moderate force to secure the drain in place. Tighten the mounting nut with pliers or a wrench. Do not over tighten. Hand tighten the tailpiece at the bottom of the drain base (1).
- Place an empty bowl underneath the installed drain, close the drain top from above, and fill the sink bowl with water to check for leaks.
- Install the "P-trap" on the tailpiece first. Adjust the height of the "P-trap" on the tail piece to align with the in-wall plumbing wall where the sink will be installed. Tighten the "P-trap" fitting on the tail piece.
- Position the sink parallel to the wall at a distance sufficient enough to allow the insertion of the "P-trap" outlet with the in-wall plumbing.
- Push in the sink along with the "P-trap" outlet through the in-wall plumbing leaving enough room to tighten the final fitting.
- Conduct a final leak test for the "P-trap".
- Clean the work area and sink well in order to remove residual dirt and grime.
- Seal the bottom rim of the sink with silicone. Allow the silicone to dry for 24 hrs before use.

Care

To clean your ADM Fixture, wash with a wet nonabrasive soapy cloth. Then wipe dry with a soft towel or cloth. We recommend this be done on a regular basis to prevent dirt build-up.

DO NOT USE ANY ABRASIVE, CHEMICAL OR CORROSIVE, POWDER OR ANY OTHER STRONG CLEANERS INCLUDING DETERGENTS, WINDOW CLEANERS AND DISINFECTANTS ON YOUR PRODUCT UNLESS ADVISED BY ADM STAFF AS THEY MIGHT AFFECT THE FINISH AND THEREFORE VOID THE WARRANTY.