



www.ADMBathroomdesign.com | 3340 Leonis Blvd. Vernon, CA 90058
info@admbathroomdesign.com | Phone: 323.406.8219 | Fax: 323.406.8220

Freestanding Bathtub Installation Guide

General considerations:

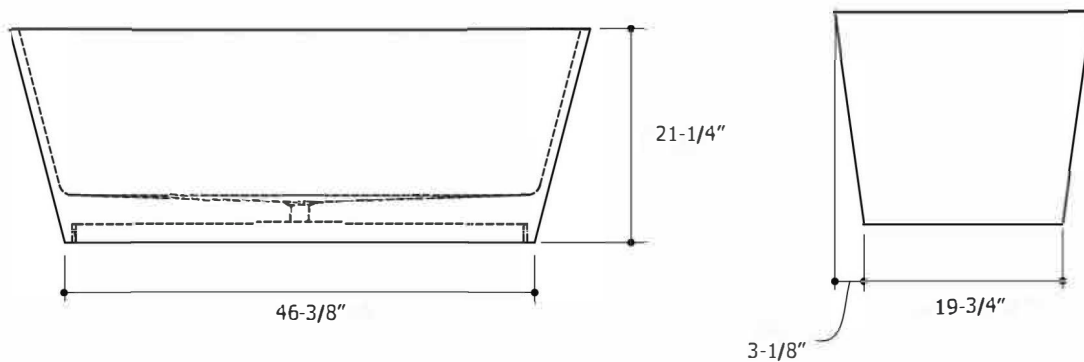
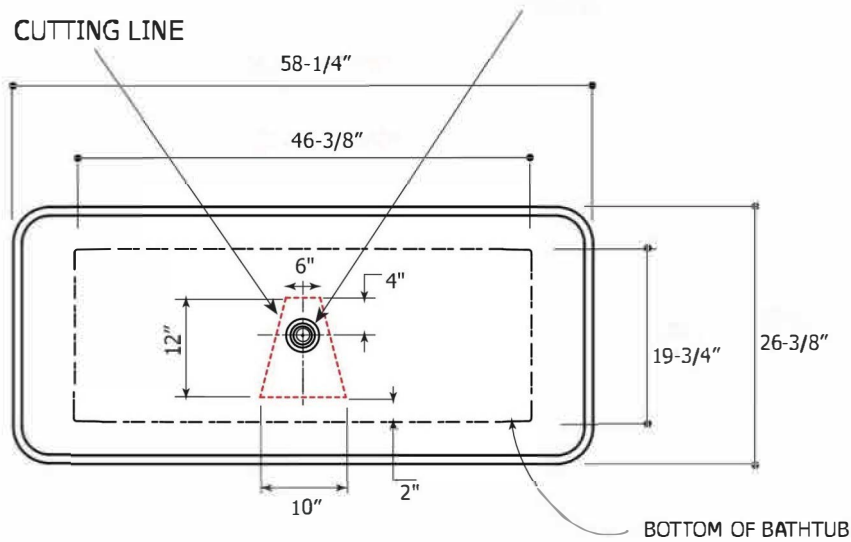
PLEASE DO NOT USE THE WHITE PLASTIC PROTECTOR FIXED AT THE BOTTOM OF THE DRAIN. IT IS ONLY FOR PROTECTION PURPOSES.

- **We strongly recommend to have access from the floor below, it will help you to connect the piping much more easily. Connecting without having access is also possible and even easier with our rough-in drain kit found on our website in the accessories category.**
- **Determine the location of the bathtub. Take into account the position for the bathtub filler as well as the water supply lines and the drain.**
- **Install the plumbing and drainage before securing the unit in place.**
- **Before cutting a hole in the floor for the drain, ensure the space is free of pipes, floor joists, heating ducts and electrical wires. If the location for the bathtub is not free of these please consult with a licensed contractor prior to making structural adjustments.**
- **It is recommended to have the plumbing installed by a professional plumber.**

Floor opening

Determine the position of the bathtub allowing enough space for plumbing and making sure that the drain and plumbing are not directly above the floor joists.

On the floor, trace around the bottom of the bathtub (length & width) and mark the **position of the drain**. Next, mark the cutting line (RED LINE) around the drain for connection of the drain and p-trap. Cut the opening in the floor along the red mark as shown.



**THIS BATHTUB SKETCH IS FOR EXAMPLE ONLY.
 USE THE CORRECT PRODUCT TEMPLATE FOR THE MODEL THAT YOU ARE INSTALLING**

Place the female part (2) of the expansion joint as shown (Fig.1). Make sure it is flush with the finished floor. Use a steel strap to fasten the expansion joint to the joists. Next, tilt the bathtub on its side carefully preventing the bathtub from fully resting its weight on a side wall. As you have the bathtub tilted, have a helper take the measurement of distance "d" from the bottom of the drain to the bottom of the bathtub (Fig.2). Cut the male part of the expansion joint (1) at the "d" length and add 4-1/2" extra.(Fig.3)

If you don't have access from the room below:

Before placing the bathtub, insert the male part of the expansion joint (1) halfway to the female part (2). Place the bathtub by raising it up 3-1/2" with 4X4 pieces of lumber so you can still have access from the bottom of the bathtub. Align the drain (3) to the expansion joint (Fig.3). From the bottom of the bathtub, tighten the collars of the expansion joint (1) to the drain (3) (don't forget to use a seal washer in between). Tighten the collars of the expansion joint (2) just tight enough so the male part (1) can still slide in (Fig.3) while still keeping a watertight seal. Fill the water in the bathtub and let it drain out. From the bottom, make sure that all the joints are watertight. Move the bathtub down slowly by removing the pieces of lumber evenly with helpers. Fill the space around the bottom rim of the bathtub with silicone.

Example Only.
Each Bathtub Varies.

