

CARE AND CLEANING

For the regular cleaning of your bathtub filler, use a mild detergent or warm soapy water applied to a soft cloth. DO NOT use scouring pads, gritty cloths or abrasive/ corrosive cleaners. Using these products may damage the components and void the warranty.

NOTICE

1. Only use soft fabrics to clean the taps; no acid or alkalescent material.
2. The cartridge and diverter are tested in the factory; no self assembly and disassembly required or recommended.
3. Underground components should pass a 30 min. water test under 0.8 Mpa before closing the tiles to be sure no water leaks.
4. Underground pipes should be installed strictly according to the manual, exchange of cold water pipe and hot water pipe is not permitted.
5. When inside temperature is under 32°F, please close the water angle valve, open the tap, and let the water flow out completely to avoid tap break during freezing period, and water leak when temperature goes up.
6. Water inlet pipes must be cleaned before tap installation, impurities could destroy the cartridge, diverter and aerator.
7. CAUTION: when turning on the tap, please turn to cold first, then adjust to suitable temperature, to avoid scald.
8. Gloves are needed while installing the tap.

PRIOR TO STARTING

This guide covers the installation process as well as the maintenance of your new bathtub filler. Please read it carefully prior to installation, then keep it in a safe place for future reference.

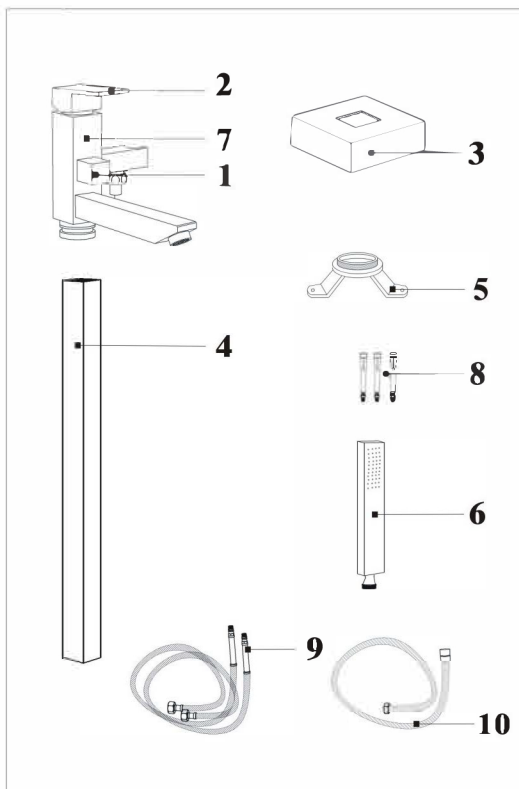
Remove the product from its packaging. Make sure that all of the components are there and verify if the product is in good shape. Should the inspection reveal that the product is damaged or that it has a manufacturing defect, contact ADM at once. The warranty does not cover damages or finishing defects once the product has been installed.

Consult local plumbing codes to make sure the installation complies with standards. This product should be installed by a licensed plumber. Make sure to shut off water valves during installation.

PRODUCT SPECIFICATIONS

Water pipe thread: G9/16"
 Working pressure: 0.1 Mpa-0.5 Mpa
 Working temp: 37.4°F - 185°F
 Working material: Normal Water

CONTENTS



1	Diverter	6	Hand Shower
2	Handle (On/Off)	7	Filler Body
3	Decorative Base	8	Screws
4	Column	9	Flexible Hoses
5	Permanent Seat	10	Shower Hose

STEPS TO FOLLOW:

1. Insert the flexible hoses (#9) into the column (#4).
2. Insert the column (#4) into the decorative base (#3), then insert them into the stand (#5).
3. Connect water supply lines (flexible hoses# 9). Cold water on the right, hot water on the left.
4. Insert the filler body (#7) into the column (#4).
5. With the help of screws (#8), fix the stand (#5) of the freestanding bathtub filler to the floor while making sure it is leveled.
6. Connect the shower hose (#10) to the hand shower (#6) and bathtub filler body (#7).
7. Put the hand shower (#6) in the space provided on the bathtub filler body (#7).
8. Let the water run from the bathtub filler and check connections for leaks. Switch the diverter (#1) so that the water may run from the hand shower (#6) and check connections again for leaks. If leaks are found, tighten slightly until the leak stops.