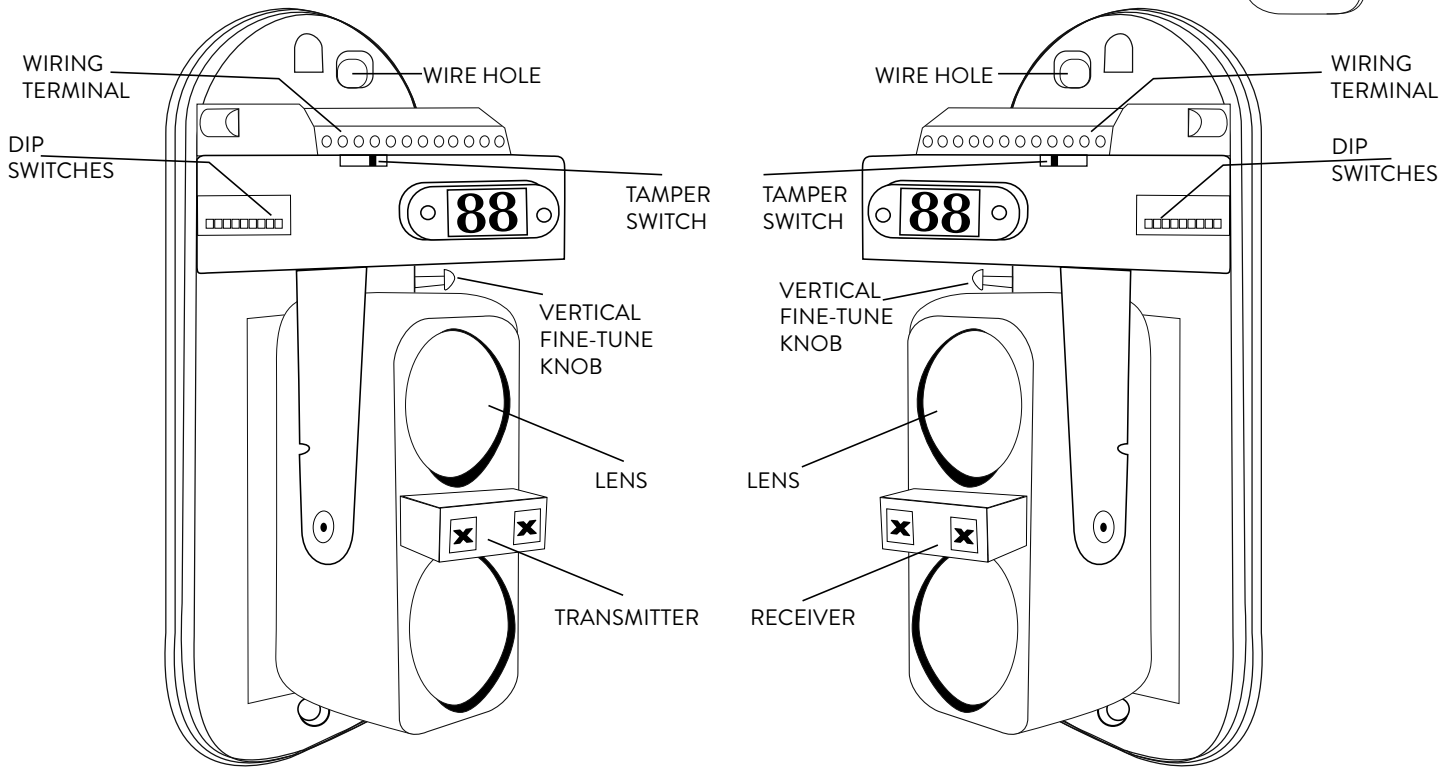
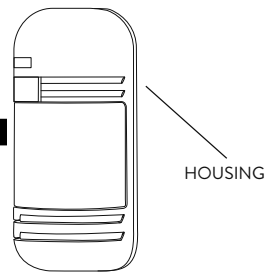
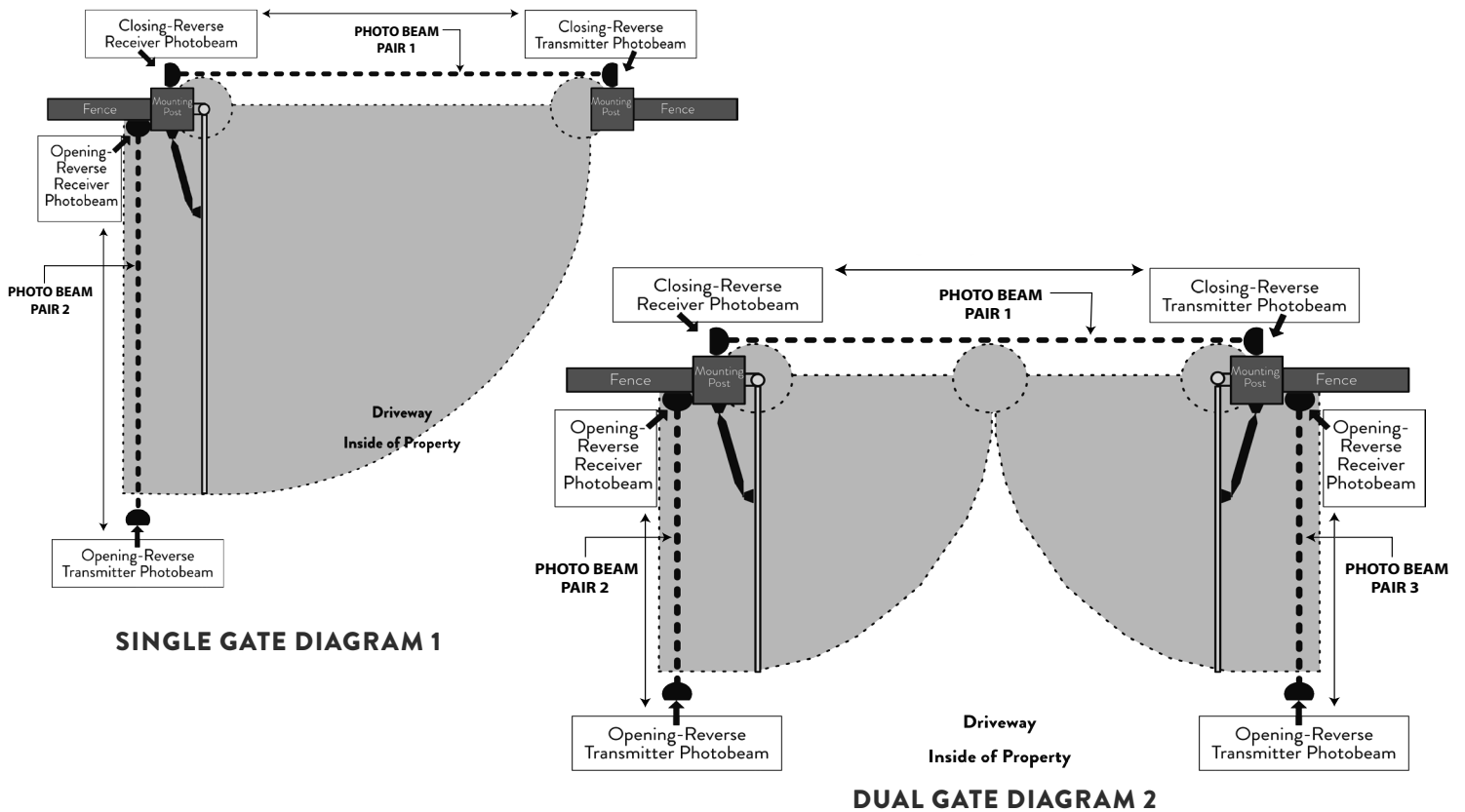


STANDARD PHOTO EYES

■ AXPS INSTRUCTIONS (NONMONITORED)



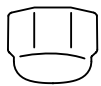
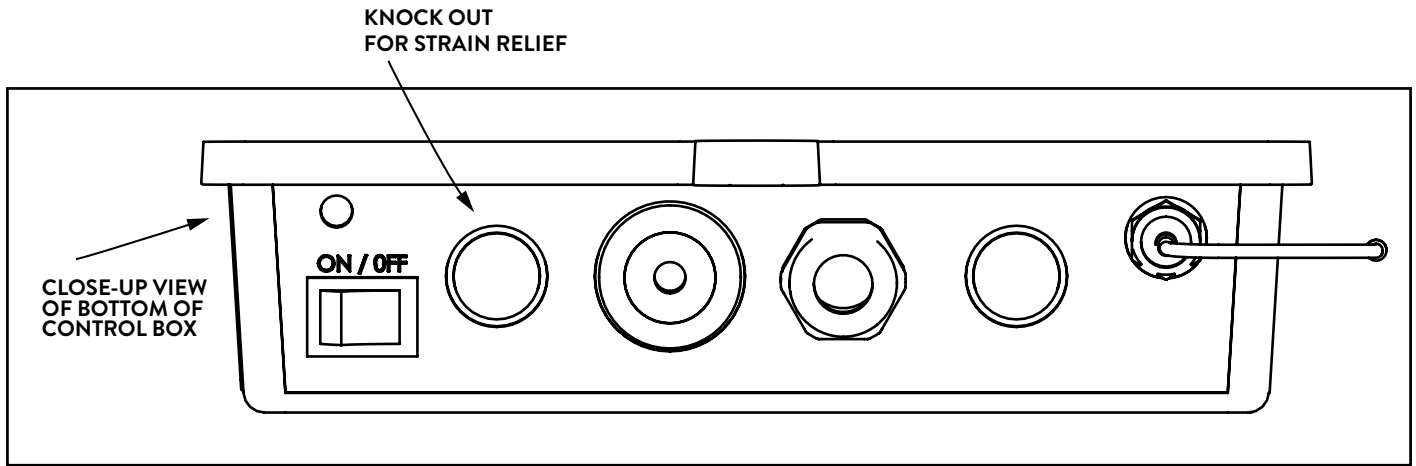
UNMONITORED PHOTO EYES INSTALLATION OVERVIEW FOR SINGLE AND DUAL GATES



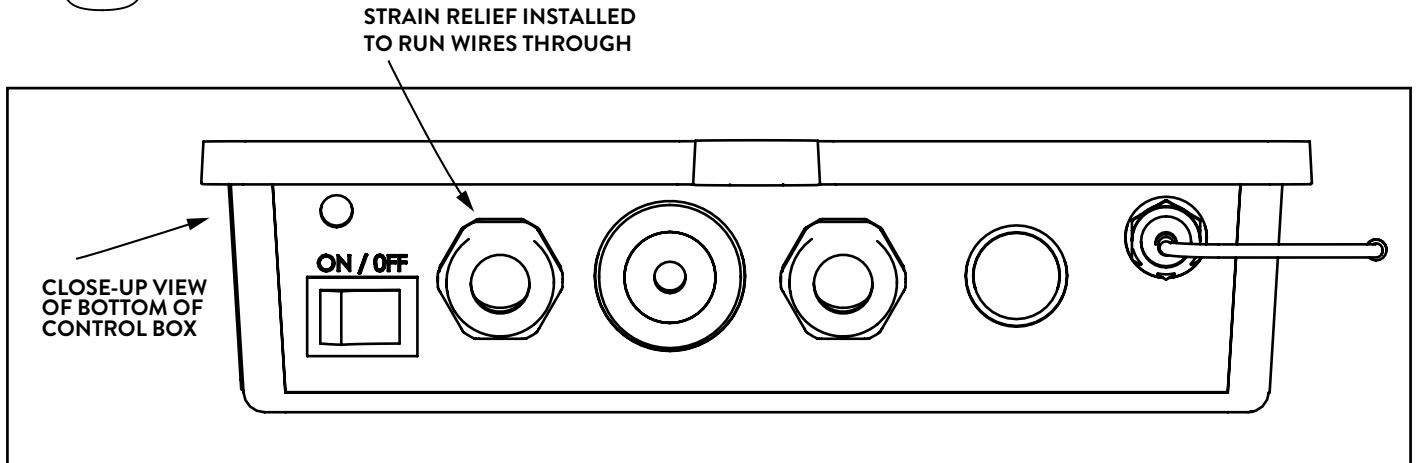
PREPARING CONTROL BOX FOR PHOTO EYE WIRING

■ **MAKE SURE THE POWER IS TURNED OFF AND BATTERY IS DISCONNECTED TO THE CONTROL BOX BEFORE WIRING**

■ On the bottom of the control box there is a built in knock out for wires. Drill a hole and knock it out and then install the included strain relief. This is where your wires will feed up into the control box and connect to the control board.



STRAIN RELIEF



PAIR 1 PHOTO EYE INSTALLATION AND WIRING

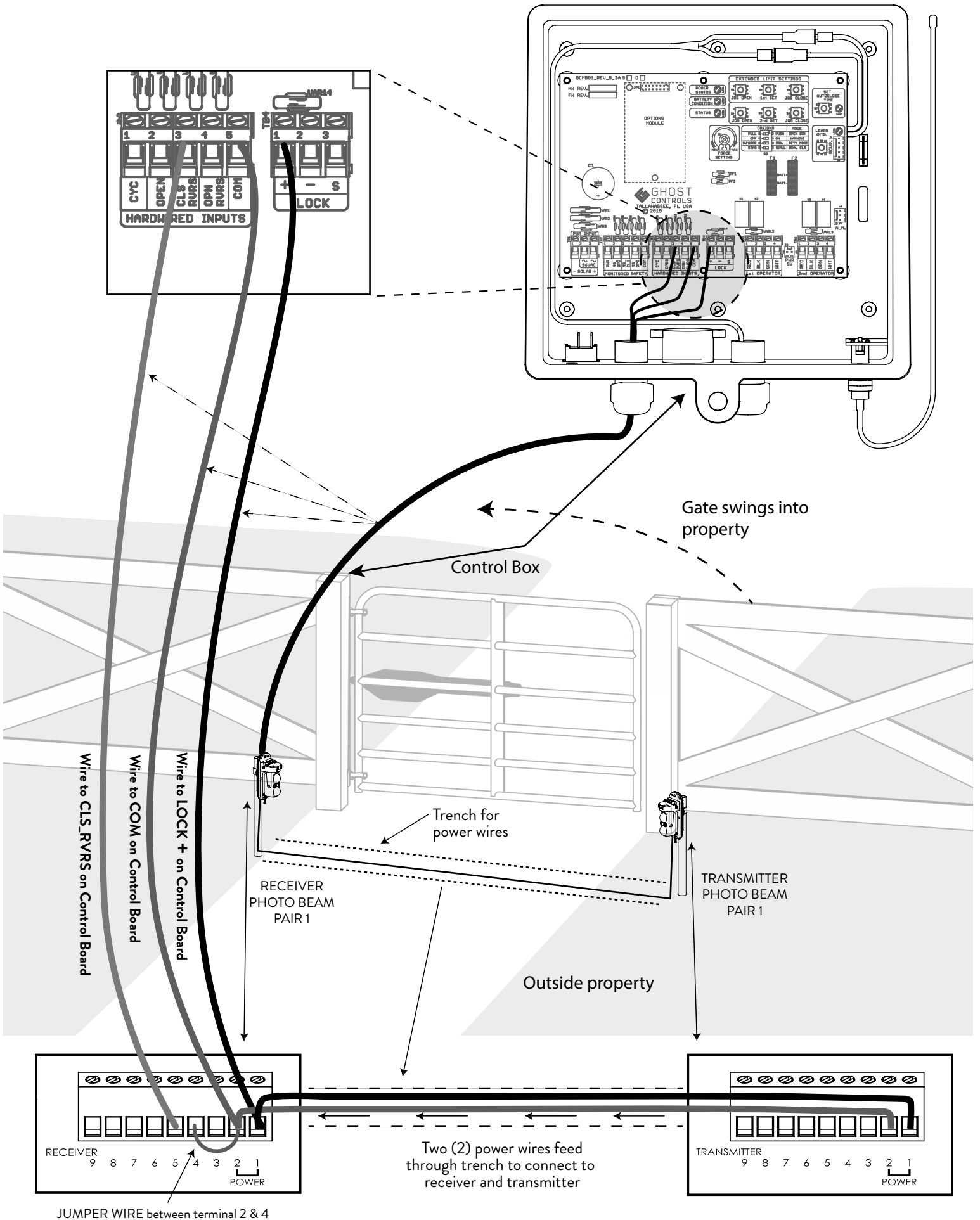
PAIR 1 Photo Eye RECEIVER needs to be installed on the Control Box side of the gate opener. The TRANSMITTER needs to be installed facing and across from the RECEIVER. You will also need to dig a trench for the two (2) TRANSMITTER wires to go across and connect the TRANSMITTER TO THE RECEIVER. The RECEIVER wires will then connect to the control box. Use 20-22 AWG gauge stranded wire. (see CLOSING -REVERSE CONNECTION DIAGRAM next page).

CONNECTIONS FOR CLOSING-REVERSE (PAIR 1)

Transmitter	Receiver	Ghost Control Board
1	1	LOCK +
2	2	COM
N/A	4	COM
N/A	5	CLS_RVRS

(see CLOSING -REVERSE CONNECTION DIAGRAM on next page).

CLOSING -REVERSE CONNECTION DIAGRAM - PAIR 1



JUMPER WIRE between terminal 2 & 4

PAIR 2 PHOTO EYE INSTALLATION AND WIRING

PAIR 2 Photo Eye RECEIVER needs to be installed on the Control Box side of the gate opener. The TRANSMITTER needs to be installed facing and across from the RECEIVER. You will also need to dig a trench for the two (2) TRANSMITTER wires to go across and connect the TRANSMITTER TO THE RECEIVER. The RECEIVER wires will then connect to the control box. Use 20-22 AWG gauge stranded wire. (see OPENING -REVERSE CONNECTION DIAGRAM next page).

CONNECTIONS FOR OPENING-REVERSE (PAIR 2)

Transmitter	Receiver	Ghost Control Board
1	1	LOCK +
2	2	COM
N/A	4	COM
N/A	5	OPN_RVRS

(see OPENING -REVERSE CONNECTION DIAGRAM on next page).

DUAL GATES: PAIR 3 PHOTO EYE INSTALLATION AND WIRING

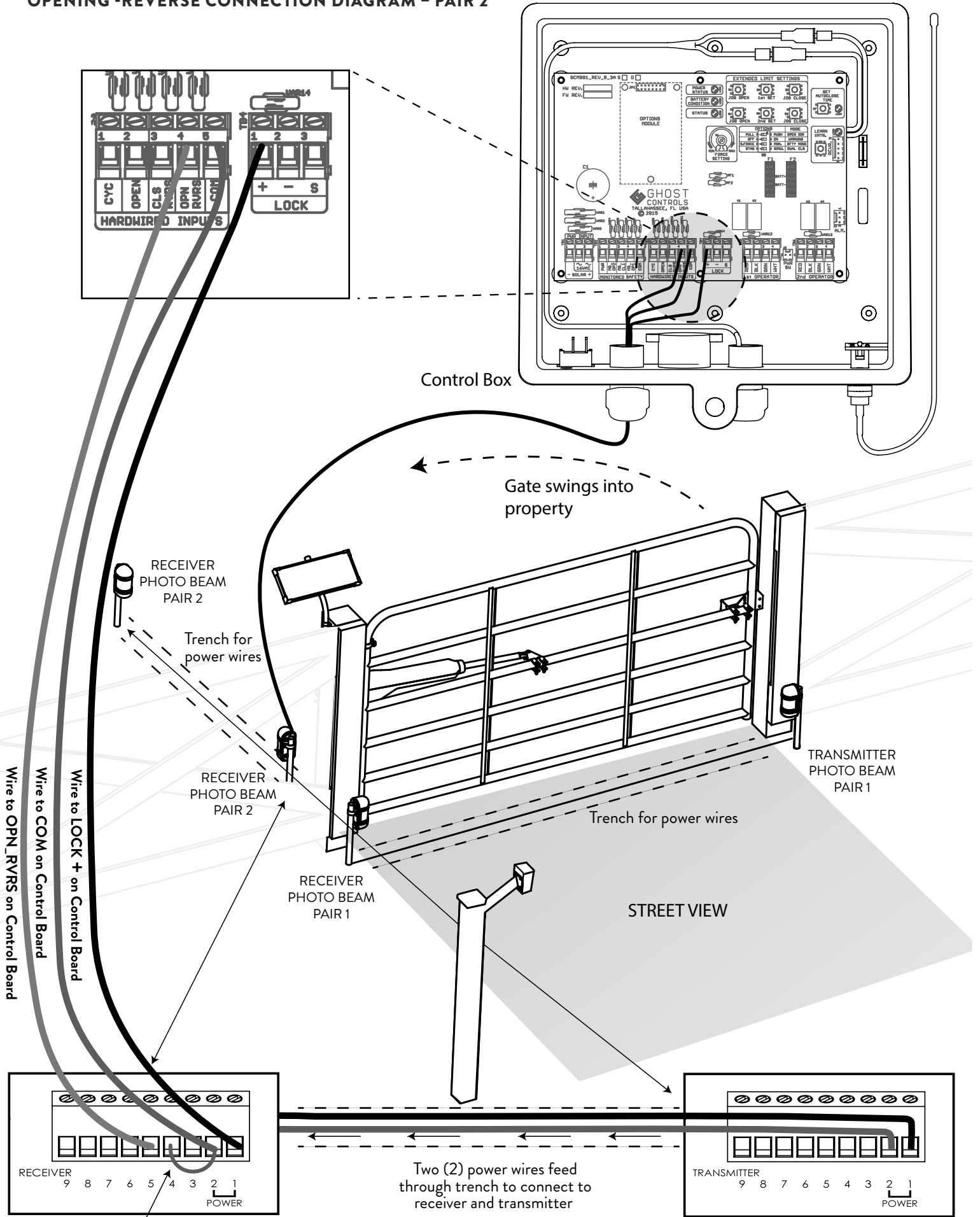
PAIR 3 Photo Eye RECEIVER needs to be installed on the Control Box side of the gate opener. The TRANSMITTER needs to be installed facing and across from the RECEIVER. You will also need to dig a trench for the two (2) TRANSMITTER wires to go across and connect the TRANSMITTER TO THE RECEIVER. The RECEIVER wires will then connect to the control box. Use 20-22 AWG gauge stranded wire. (see OPENING -REVERSE CONNECTION DIAGRAM).

DUAL ONLY: CONNECTIONS FOR OPENING-REVERSE (PAIR 3)

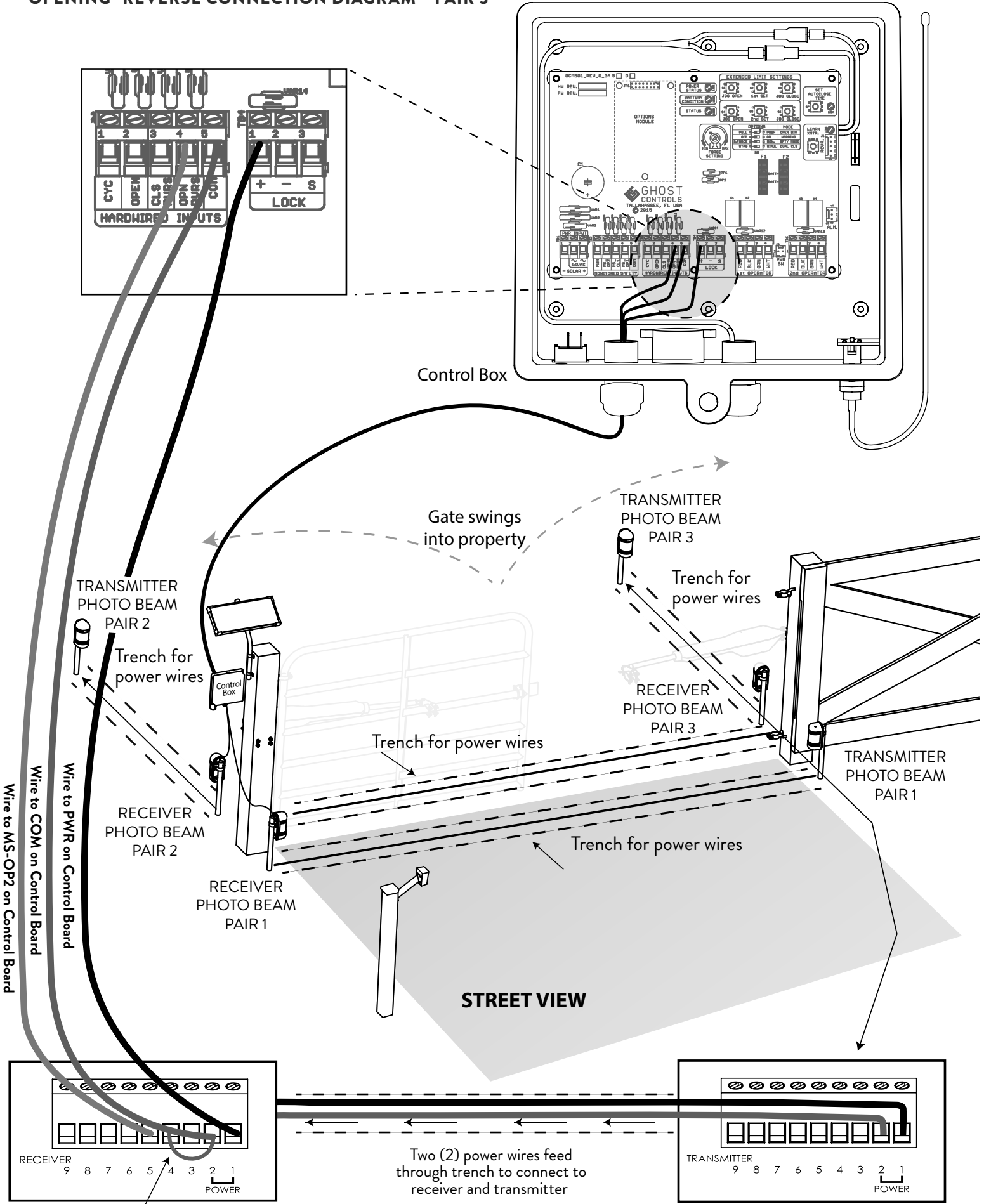
Transmitter	Receiver	Ghost Control Board
1	1	LOCK +
2	2	COM
N/A	4	COM
N/A	5	OPN_RVRS

(see OPENING -REVERSE CONNECTION DIAGRAM).

OPENING - REVERSE CONNECTION DIAGRAM - PAIR 2



OPENING - REVERSE CONNECTION DIAGRAM - PAIR 3



SETTING THE DIP SWITCHES

PHOTO EYES PAIR 1

DIP Switch
TRANSMITTER

DIP Switch
RECEIVER

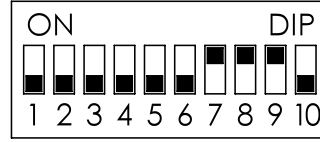
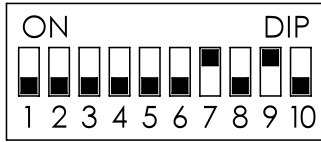
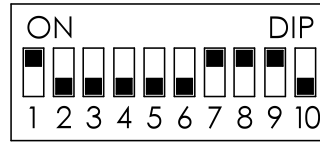
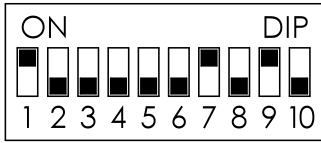


PHOTO EYES PAIR 2

DIP Switch
TRANSMITTER

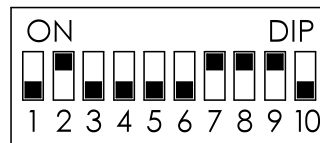
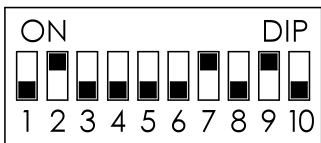
DIP Switch
RECEIVER



FOR DUAL ONLY PHOTO EYES PAIR 3

DIP Switch
TRANSMITTER

DIP Switch
RECEIVER

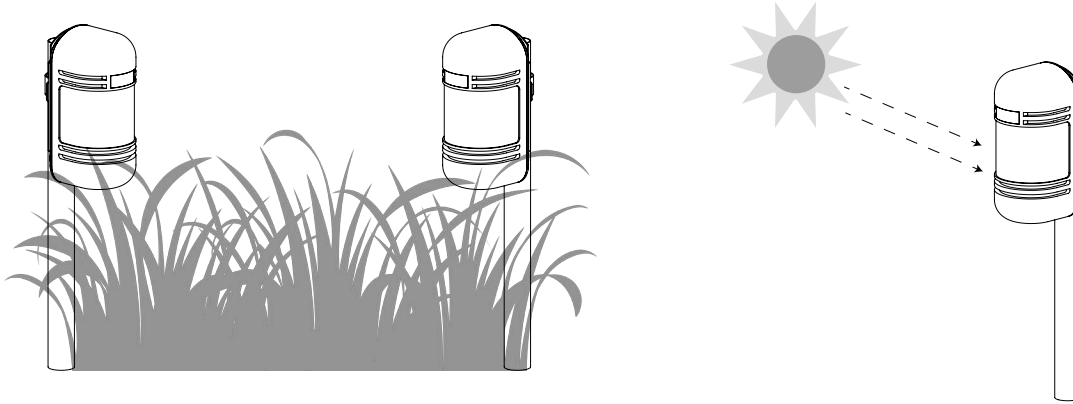


WARNING

Extreme caution must be exercised when automatic gate opener system is in operation, regardless of which safety systems are installed and in use.

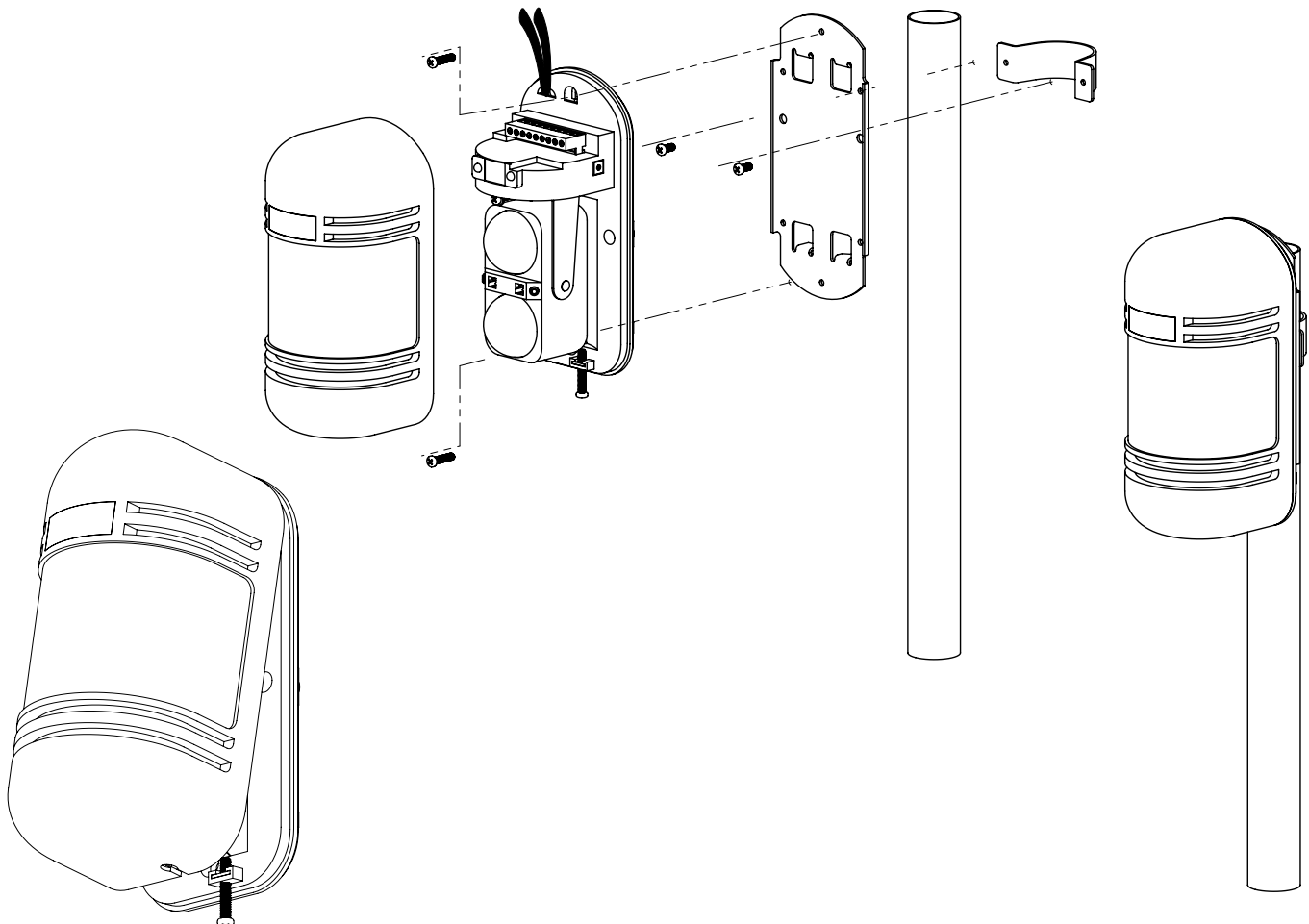
MOUNTING PRECAUTIONS

Never mount your detector where plants, direct sunlight, headlights could obstruct the beam between the transmitter and receiver. **ALSO, MAKE SURE SURFACE IS EVEN AND NOT UNSTABLE.** See diagrams below



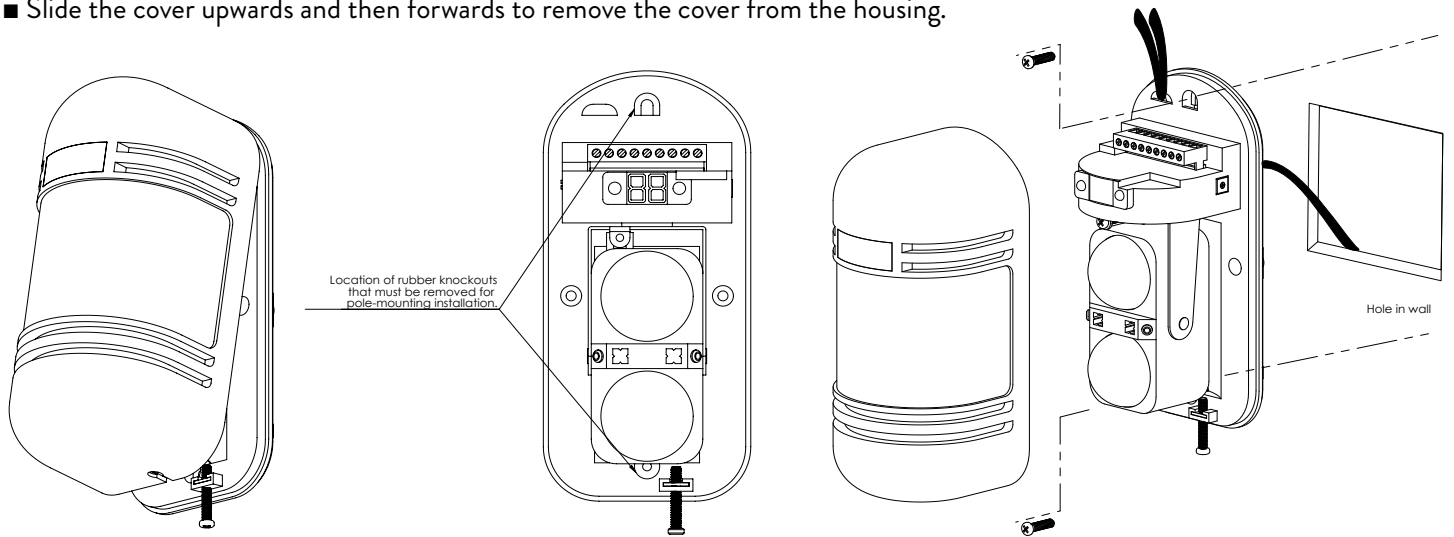
MOUNTING YOUR PHOTO EYES ON A POLE (FOLLOW DIAGRAMS BELOW)

- Loosen screw on underside of Photo Eye and back out approximately 1/4 inch.
- Gently lift the cover from the bottom side and angle slightly outwards (as shown).
- Slide the cover upwards and then forwards to remove the cover from the housing.
- **USE METAL PIPE TO PREVENT MOVEMENT**



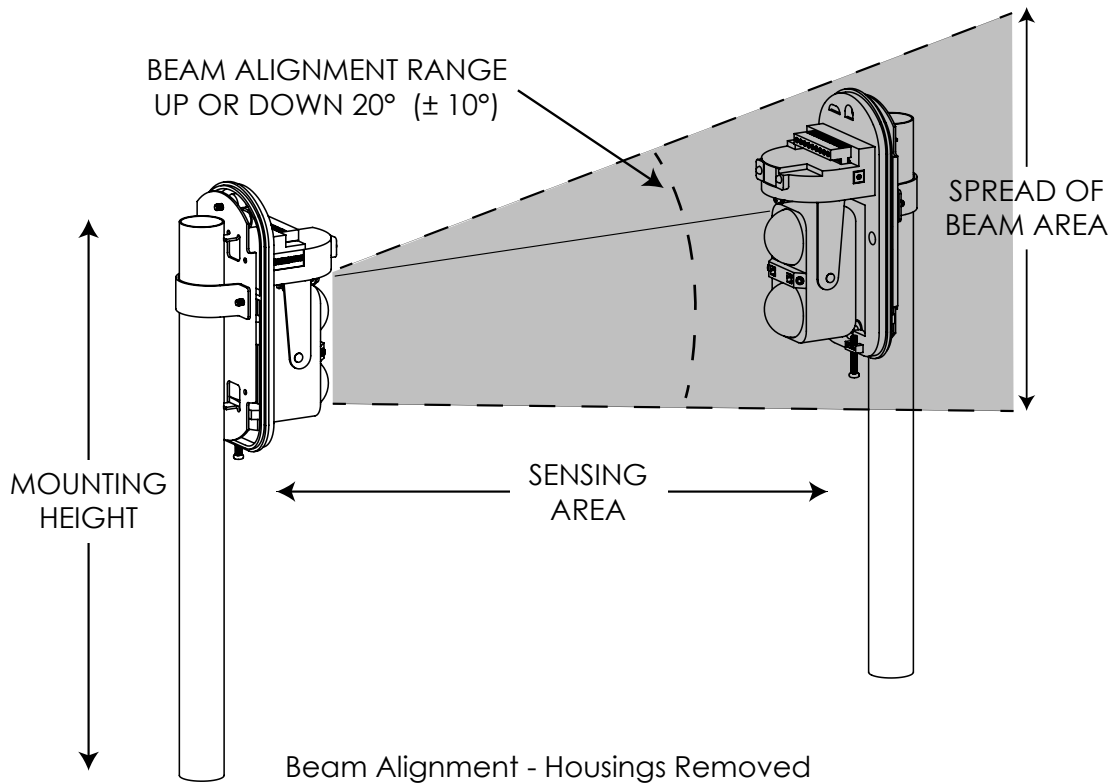
MOUNTING YOUR PHOTO EYES ON A WALL (FOLLOW DIAGRAMS BELOW)

- Loosen screw on underside of Photo Eye and back out approximately 1/4 inch.
- Gently lift the cover from the bottom side and angle slightly outwards (as shown).
- Slide the cover upwards and then forwards to remove the cover from the housing.



Note: for the wall-mounting method, the two rubber knockouts will need to be removed from the housing.

MOUNTING DISTANCE AND ADJUSTMENTS





WARNING: This product can expose you to chemicals including lead, which is known to the State of California to cause cancer. For more information, go to www.P65Warnings.ca.gov