

A

B

C

D

E

F

G

H

6

5

4

3

2

1

6

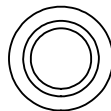
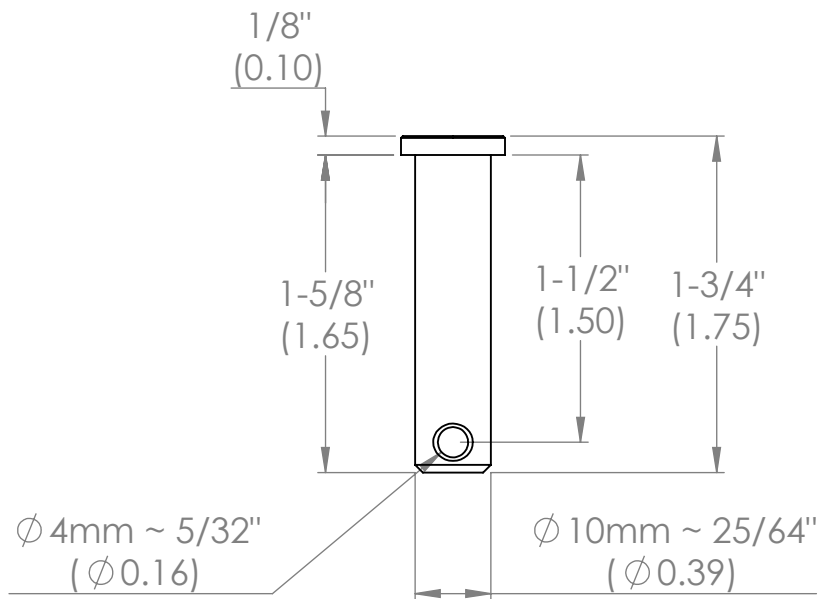
5

4

3

2

1



"∅" symbol indicates diameter

DIMENSIONS SHOWN IN INCHES.
Fractional values are approximate.
(Decimal values are actual.)

DRAWING FILE NAME

FCP6AA Front Mount Clevis Pin

DRAWING SHEET TITLE

FCP6AA Dimensions

PART/ASSEMBLY FILE NAME

FCP6AA - Front Mount Clevis Pin

Copyright 2021 Ghost Controls, LLC

A

B

C

D

E

F

G

H