

DIMENSIONS SHOWN IN INCHES.
 Fractional values are approximate.
 (Decimal values are actual.)

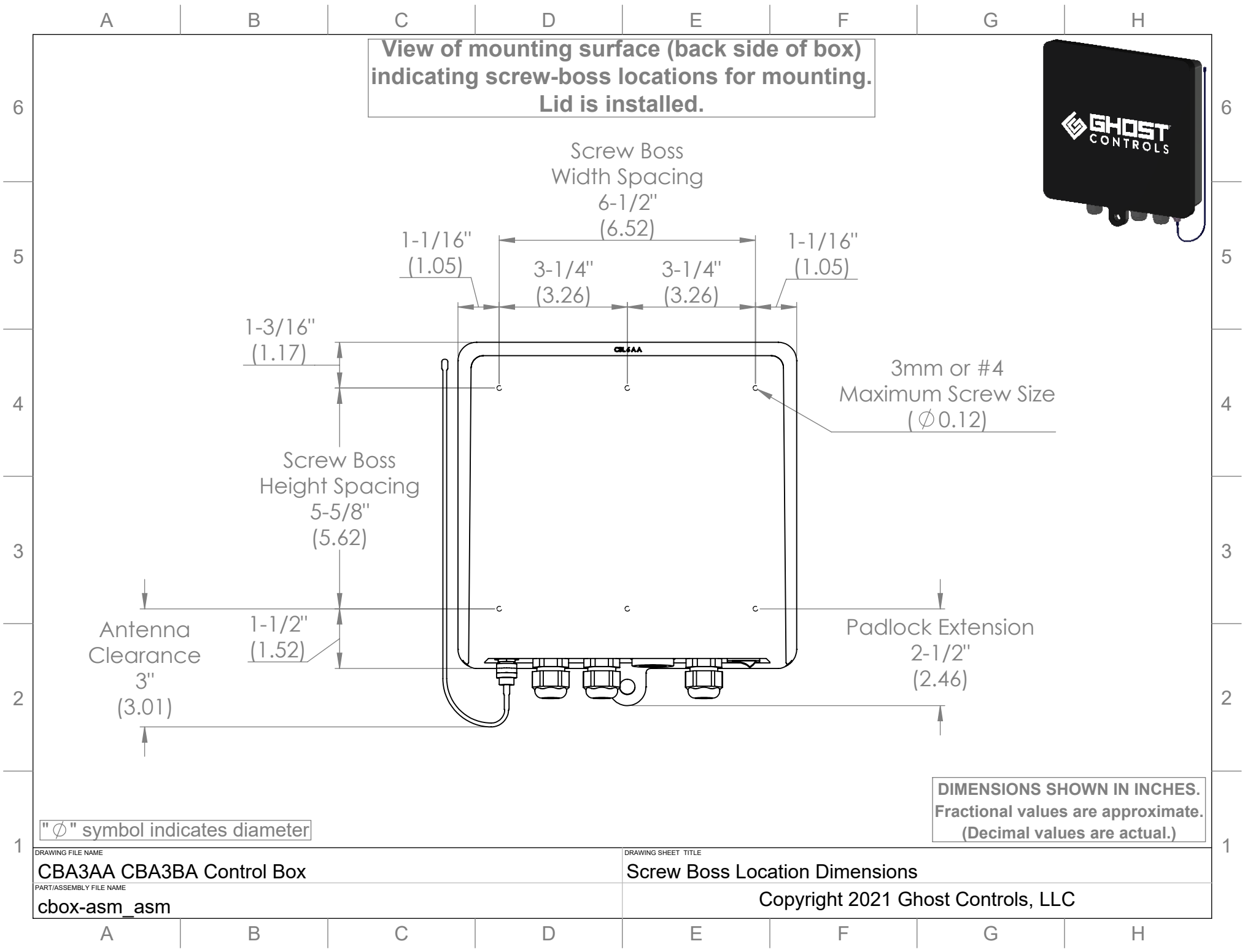
DRAWING FILE NAME
CBA3AA CBA3BA Control Box

PART/ASSEMBLY FILE NAME
cbox-asm_asm

DRAWING SHEET TITLE
Control Box Dimensions

Copyright 2021 Ghost Controls, LLC

A B C D E F G H



**View of mounting surface (back side of box)
indicating screw-boss locations for mounting.
Lid is installed.**



Screw Boss
Width Spacing
6-1/2"
(6.52)

1-1/16"
(1.05) 3-1/4"
(3.26) 3-1/4"
(3.26) 1-1/16"
(1.05)

1-3/16"
(1.17)

3mm or #4
Maximum Screw Size
(ϕ 0.12)

Screw Boss
Height Spacing
5-5/8"
(5.62)

Antenna
Clearance
3"
(3.01)

1-1/2"
(1.52)

Padlock Extension
2-1/2"
(2.46)

" ϕ " symbol indicates diameter

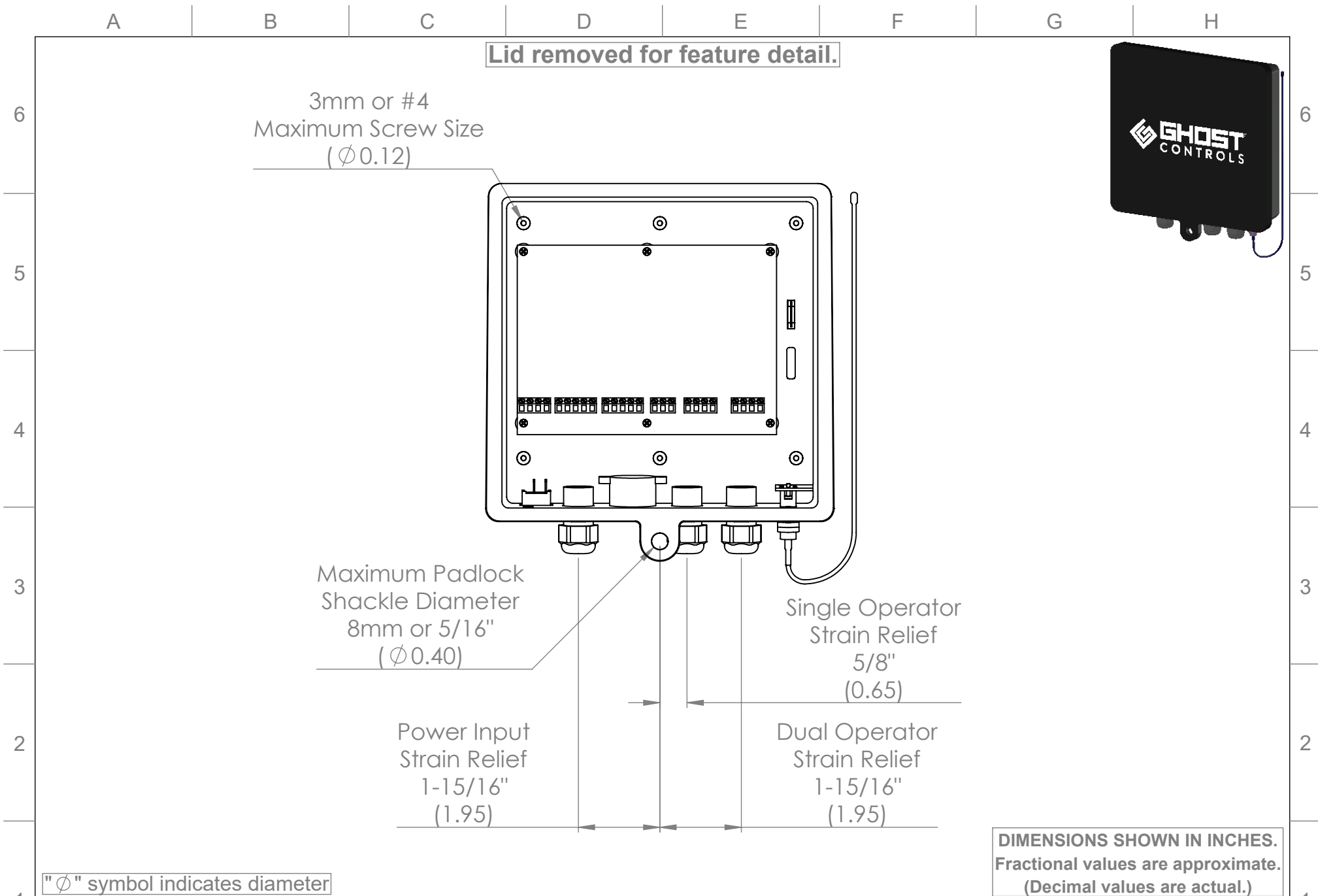
**DIMENSIONS SHOWN IN INCHES.
Fractional values are approximate.
(Decimal values are actual.)**

DRAWING FILE NAME
CBA3AA CBA3BA Control Box

DRAWING SHEET TITLE
Screw Boss Location Dimensions

PART/ASSEMBLY FILE NAME
cbox-asm_asm

Copyright 2021 Ghost Controls, LLC

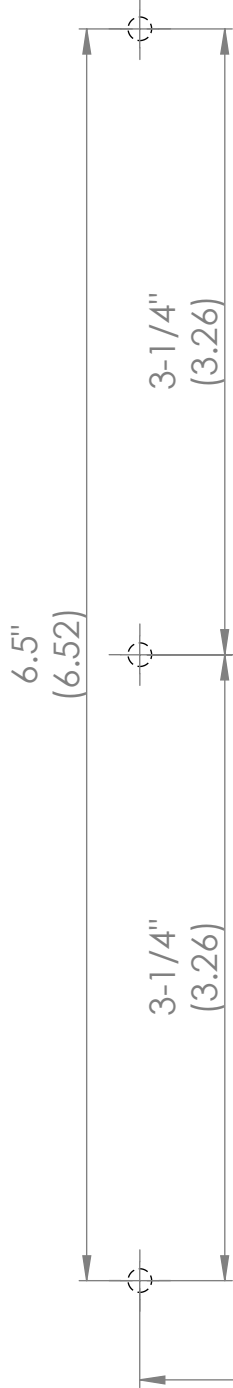


DRAWING FILE NAME CBA3AA CBA3BA Control Box				DRAWING SHEET TITLE Lid Removed for Feature Detail			
PART/ASSEMBLY FILE NAME cbox-asm_asm				Copyright 2021 Ghost Controls, LLC			

A B C D E F G H

Sheet edge is aligned with top edge of Control Box lid.
Template is centered on sheet.

CBL 6 A A



Template MUST be printed at 100% scale on 'Letter Sheet' (8-1/2" x 11") or holes will not align.

Recommend pre-drilling holes in Control Box to ensure template matches screw boss locations.

